

Power shuttle transmission - Remove

Prior operation:

Basic instructions ()

Prior operation:

Rear wheels - Remove (44.520)

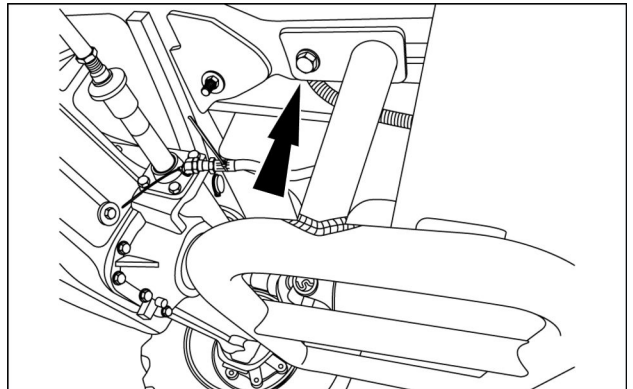
Prior operation:

Fuel tank - Remove (10.216)

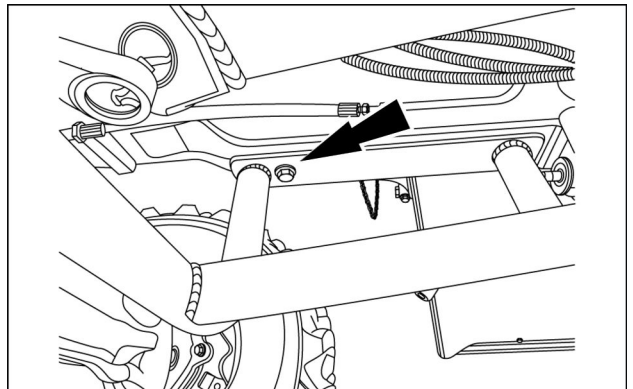
Prior operation:

Pump - Remove (35.104)

1. Position machine on a flat surface high enough to allow transmission removal.
2. Remove front drive shaft guard. (Applicable for 4WD only).

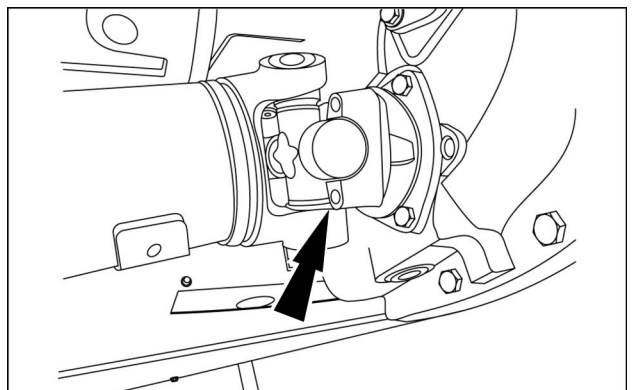


RCPH11TLB001AAL 1



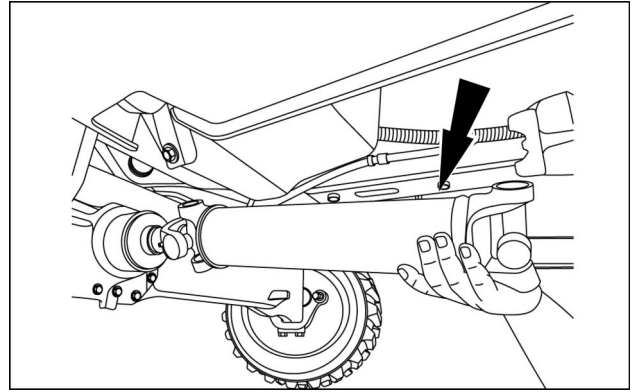
RCPH11TLB002AAL 2

3. Remove front drive shaft hardware.



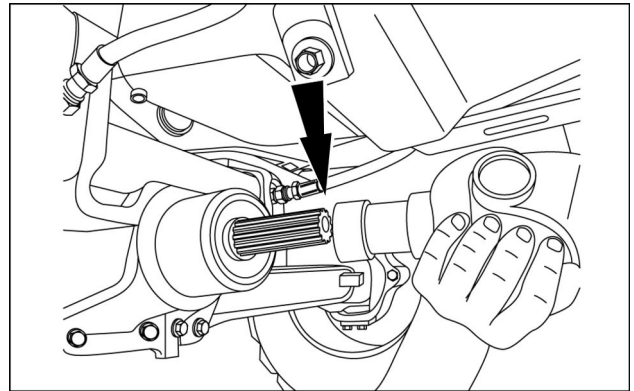
RCPH11TLB003AAL 3

4. Remove shaft from yoke.



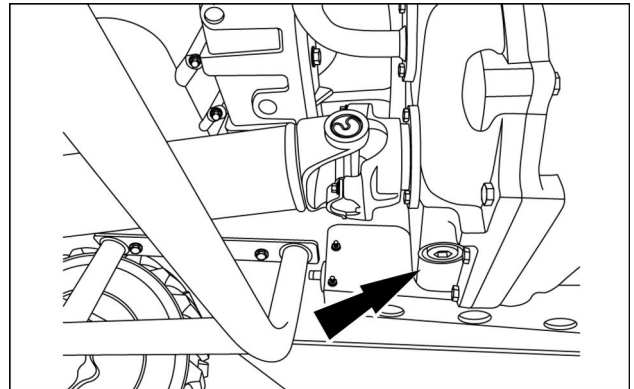
RCPH11TLB004AAL 4

5. Remove front drive shaft.



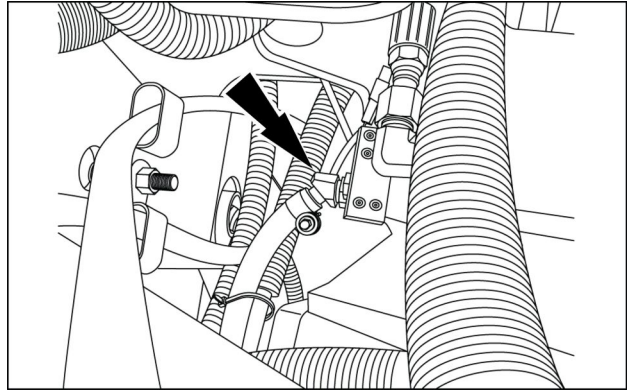
RCPH11TLB005AAL 5

6. Remove plug and drain transmission oil. Install plug into transmission after all of the oil has drained.

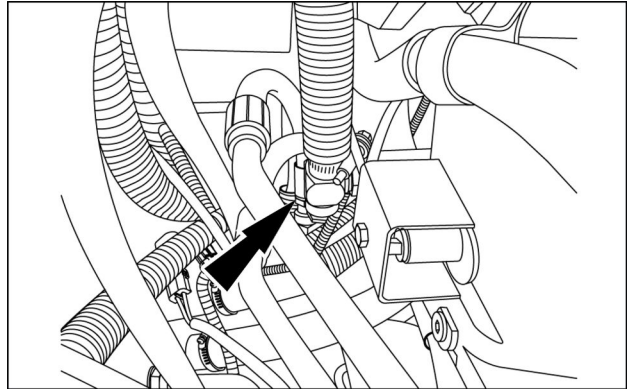


RCPH11TLB006AAL 6

7. Identify, tag and disconnect the transmission cooler lines.

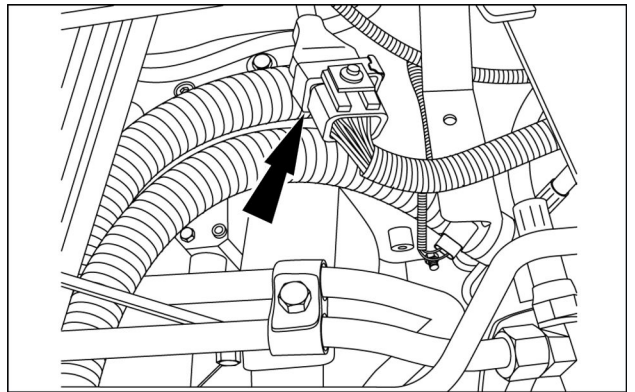


RCPH11TLB007AAL 7



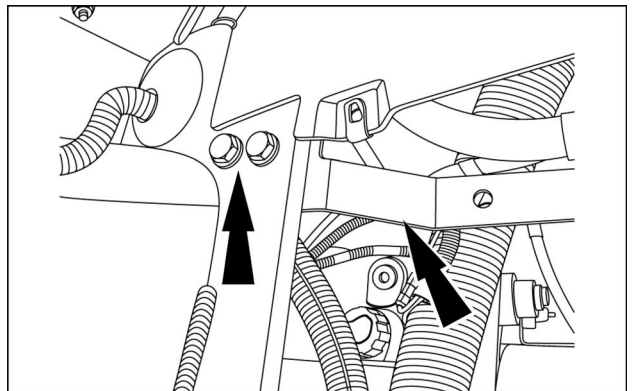
RCPH11TLB008AAL 8

8. Disconnect the transmission control valve connection.



RCPH11TLB009AAL 9

9. Remove control valve connection bracket.



RCPH11TLB010AAL 10