

Water pump - Remove

Battery ground cable disconnect

1. Disconnect the battery ground cable from the battery.

Coolant drain

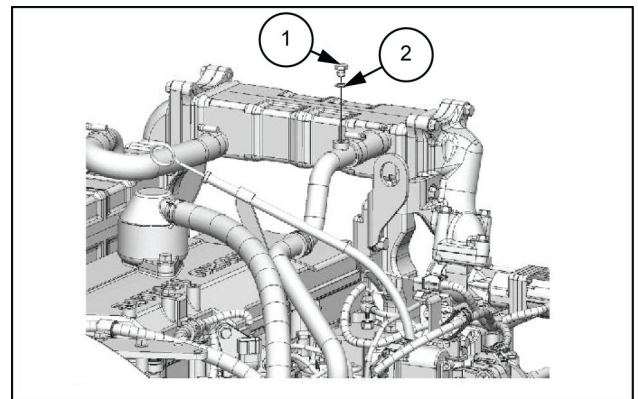
1. Remove the radiator cap from the radiator.

⚠ CAUTION:

- Do not loosen the radiator cap or sub-tank cap when the coolant temperature is high.
- Because steam and boiling water can burst out from the radiator and possibly cause burns, check that the engine has cooled.

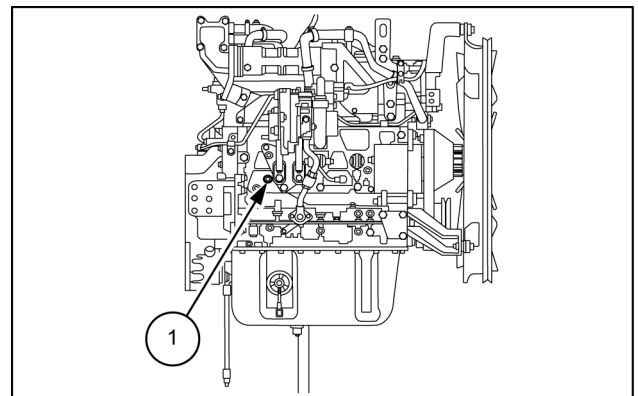
2. Remove the drain plug from the radiator.
3. Drain coolant from the radiator.

NOTE: If the EGR cooler has an air bleeding plug (1), loosen the plug and remove it with the gasket (2).
With the pressurized reserve tank specification, it is not necessary to bleed the air.



SMIL13CEX1826AB 1

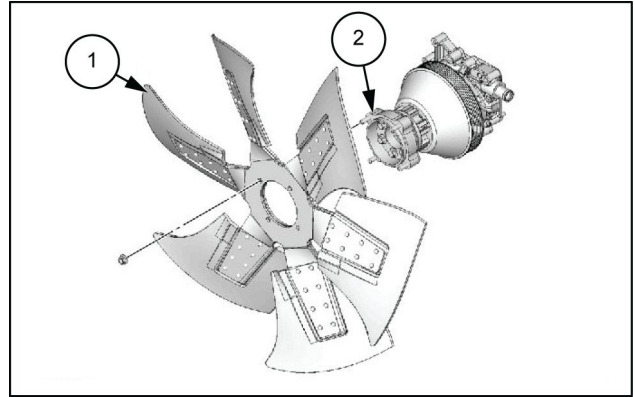
4. Remove the drain plug (1) from the cylinder block.
5. Discharge coolant from the engine.
6. Install the drain plug (1) to the cylinder block.
7. Install the drain plug to the radiator.



SMIL14CEX5659AB 2

Cooling fan removal

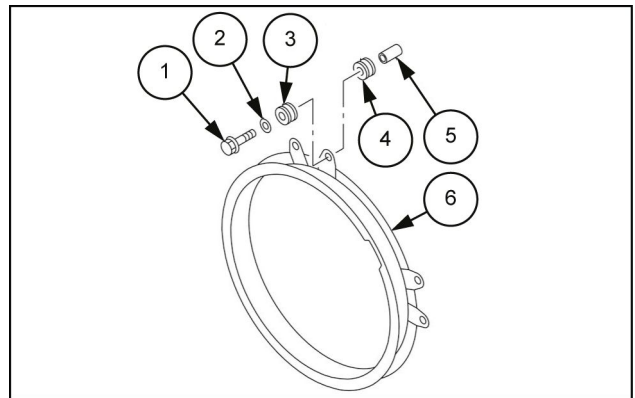
1. Remove the cooling fan (1) from the adapter (2).



SMIL13CEX1825AB 3

Fan guide removal

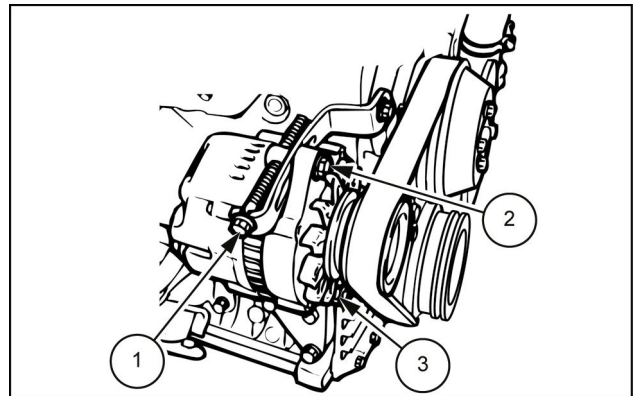
1. Remove the fan guide (6) from the fan guide bracket.
 1. Bolt
 2. Washer
 3. Rubber mount
 4. Rubber mount
 5. Guide tube
2. Remove the fan guide bracket from the engine assembly.



SMIL14CEX3122AB 4

Cooling fan belt removal

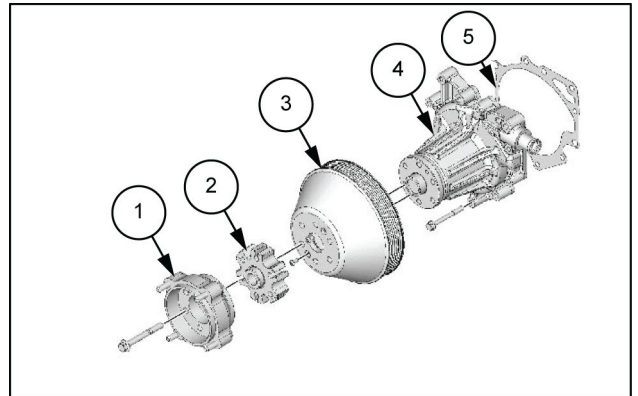
1. Remove the cooling fan belt from the engine assembly.
 1. Adjust bolt
 2. Fixing bolt
 3. Fixing bolt



SMIL14CEX3123AB 5

Water pump assembly removal

1. Remove the adapter **(1)** from the water pump assembly **(4)**.
2. Remove the spacer **(2)** from the adapter **(1)**.
3. Remove the fan pulley **(3)** from the water pump assembly **(4)**.
4. Disconnect the water hose from the water pump assembly **(4)**.
5. Disconnect the water return pipe from the water pump assembly **(4)**.
6. Remove the water pump assembly **(4)** and the gasket **(5)** from the front cover.



SML13CEX1471AB 6