

# Contents

---

## Transmission - 21

### Gearbox internal components - 145

#### FUNCTIONAL DATA

##### Shifting disk system

Gearbox internal components - Exploded view (*) .....	3
---	---

#### SERVICE

##### Shifting disk system

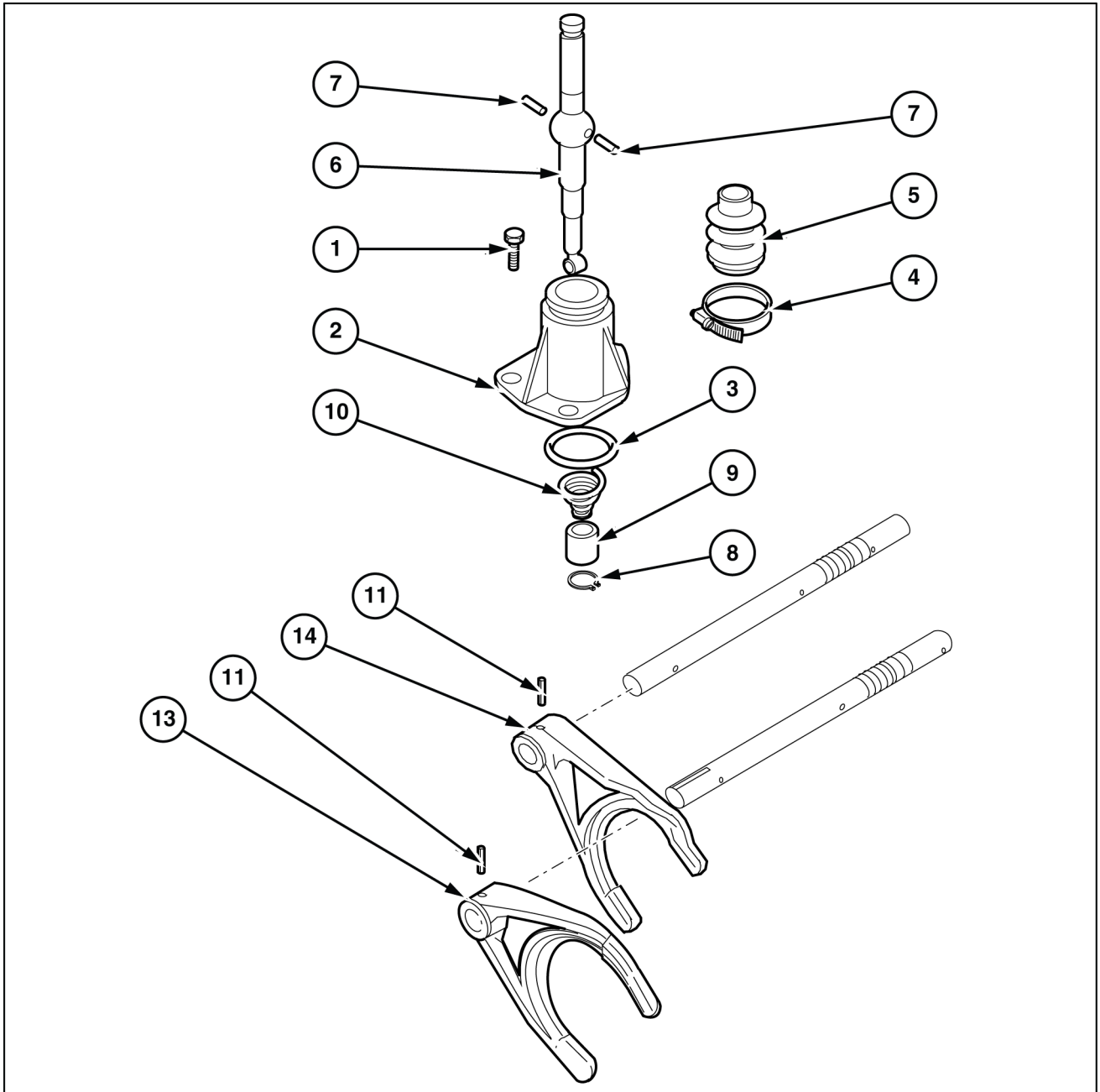
Gearbox internal components - Disassemble (*) .....	4
Gearbox internal components - Assemble (*) .....	7

(\*) See content for specific models

## Gearbox internal components - Exploded view

580ST T4	
590ST T4	

### Speed controls

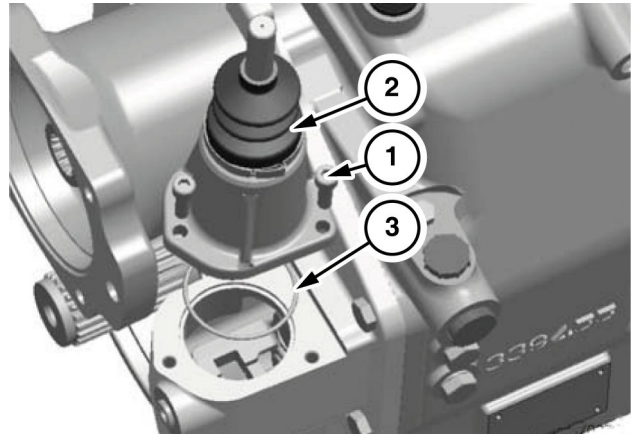


LEL112TLB0843GB 1

## Gearbox internal components - Disassemble

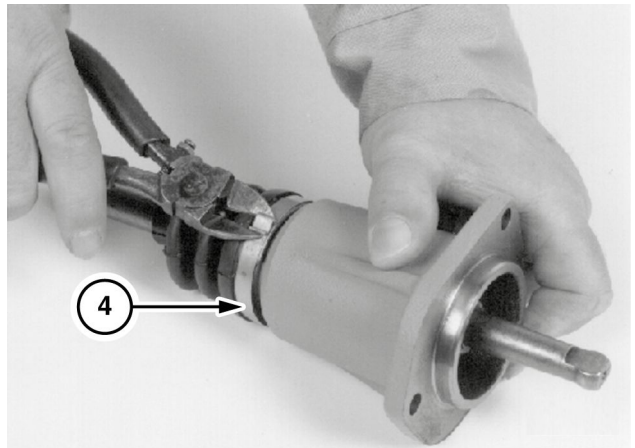
580ST T4	
590ST T4	

1. Remove the screws (1).
2. Remove the gearshift control assembly (2) and the O-ring (3).



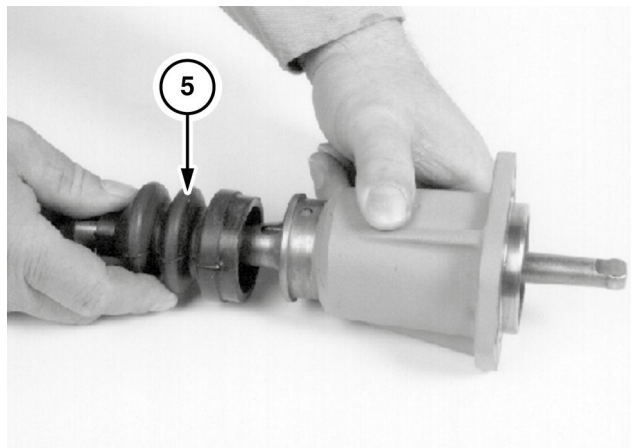
LEPH12TLB0844AB 1

3. Cut and discard the strap which attaches the collar (4) to the gearshift control body.
4. Remove the collar (4).



LEPH12TLB0845AB 2

5. Remove the protection boot (5).



LEPH12TLB0846AB 3