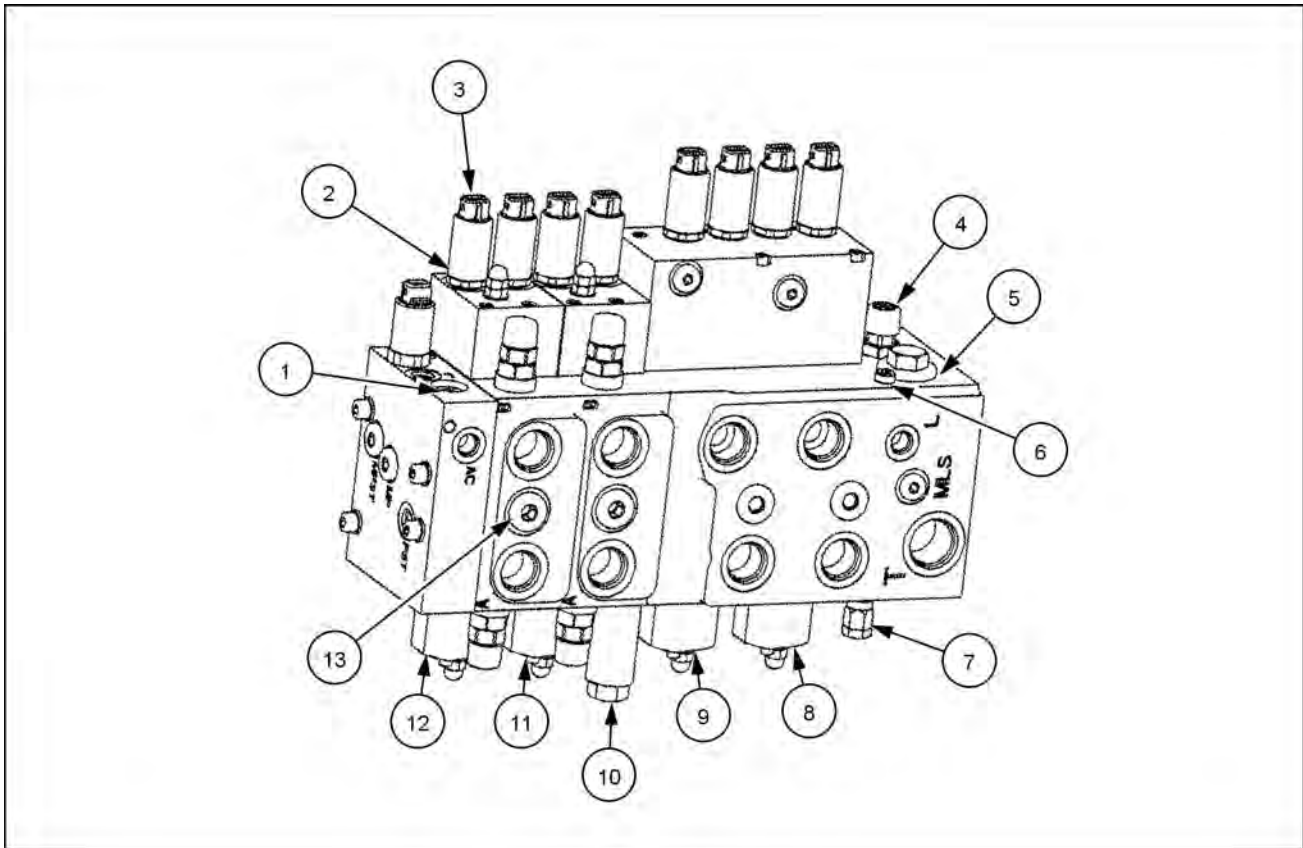


Stacked control valves - Overview

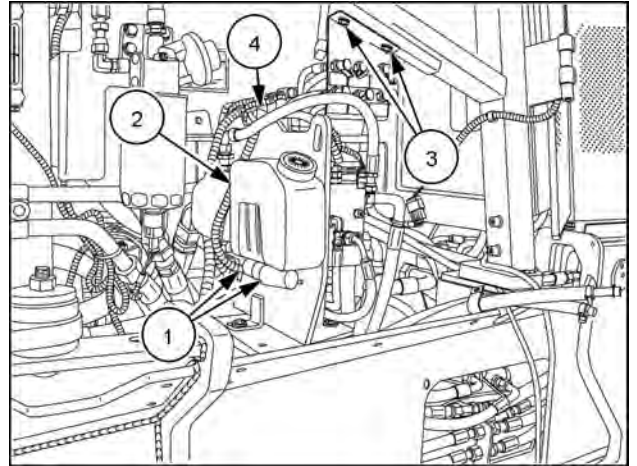


RAIL14DOZ0411FA 1

Item	Description
(1)	Safety valve
(2)	Pressure reducing valves (8)
(3)	2 pin connectors
(4)	Main (Overset) relief valve
(5)	Unloading valve
(6)	Load sense (LS) regulator
(7)	Load sense (LS) relief valve
(8)	Tilt valve
(9)	Lift valve
(10)	Pre charge valve
(11)	Angle valve
(12)	Ripper valve
(13)	Sectional compensator spools (4)

Stacked control valves - Remove

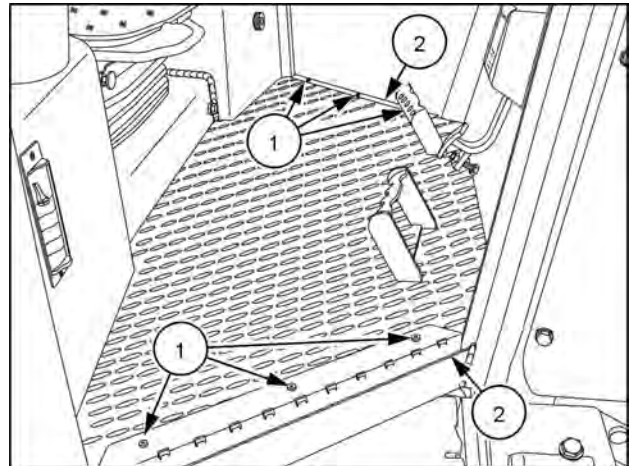
1. Release the system hydraulic pressure. See **Hydraulic systems - Depressurising (35.000)** .
2. Open right cab service door.
3. Disconnect two electrical connectors (1) from windshield washer fluid pumps.
4. Remove windshield washer fluid bottle (2) from bracket and set aside leaving hoses attached.
5. Remove two bolts and washers (3) and set pressure test port diagnostic couplers aside.
6. Remove seven electrical connectors (4) from control valve.



RAIL13DOZ0044BA 1

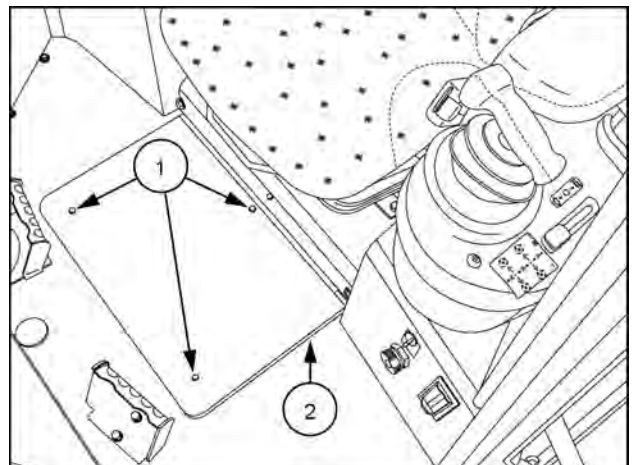
NOTE: Some hydraulic hoses can be removed through cab floor access panel.

7. Remove six screws (1), two cab floor mat brackets (2), and cab floor mat.



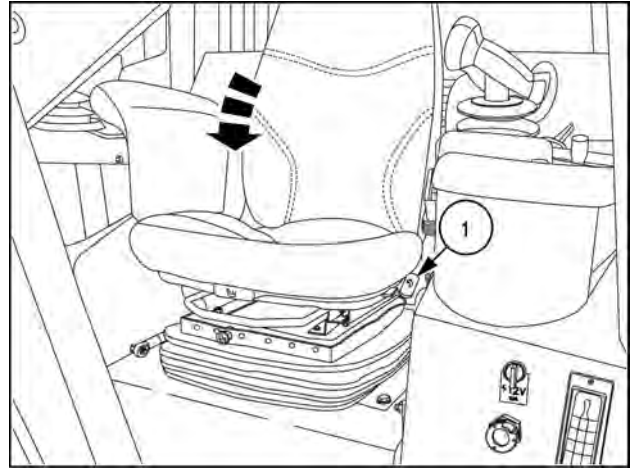
RAIL12DOZ0738BA 2

8. Remove three bolts and washers (1) and remove floor access panel (2).



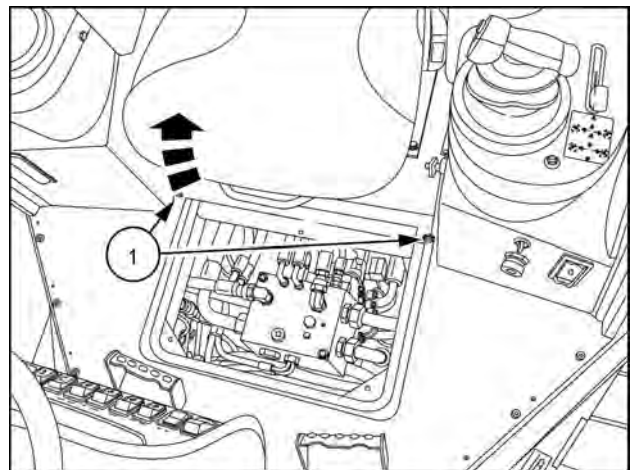
RAIL12DOZ0739BA 3

9. Unlock seat back using lever **(1)** and fold seat back to the forward position.



RAIL12DOZ0933BA 4

10. Remove two bolts and washers **(1)** and raise seat platform to provide access to hydraulic system components.

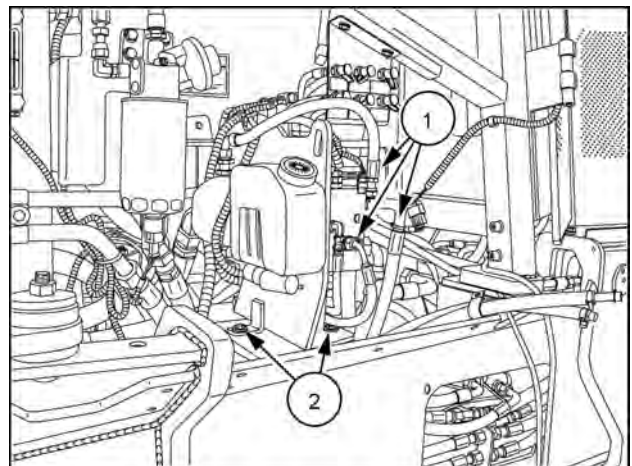


RAIL12DOZ0740BA 5

11. Apply vacuum to hydraulic system.
12. Disconnect all hydraulic hoses **(1)** to control valve and close openings to prevent contamination.
13. Remove vacuum from hydraulic system.

NOTICE: Control valve weighs approximately **91 kg (200 lb)**. Use proper lifting equipment to prevent personal injury or property damage.

14. Install an appropriate lifting device to control valve.
15. Remove three bolts **(2)** from bracket and remove control valve and bracket as an assembly.



RAIL13DOZ0044BA 6

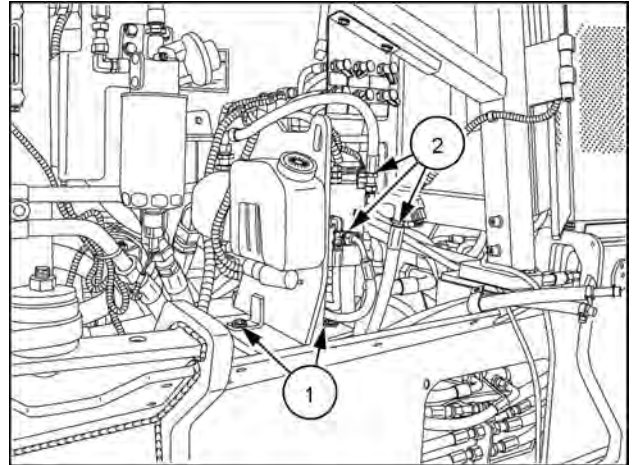
16. Remove two bolts and separate control valve from bracket.
17. Repair or replace components as necessary.

Stacked control valves - Install

1. Install control valve to bracket with two bolts.

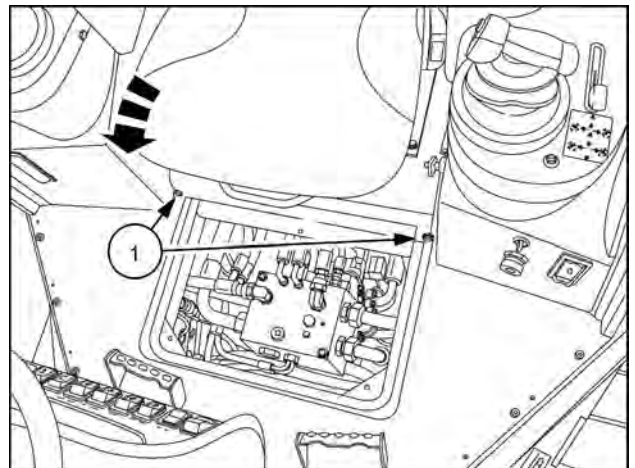
NOTICE: Control valve weighs approximately **91 kg (200 lb)**. Use proper lifting equipment to prevent personal injury or property damage.

2. Install control valve to bracket with two bolts.
3. Attach an appropriate lifting device to control valve.
4. Install control valve and bracket assembly with three bolts **(1)**.
5. Apply vacuum to hydraulic system.
6. Connect all hydraulic hoses **(2)** to control valve.



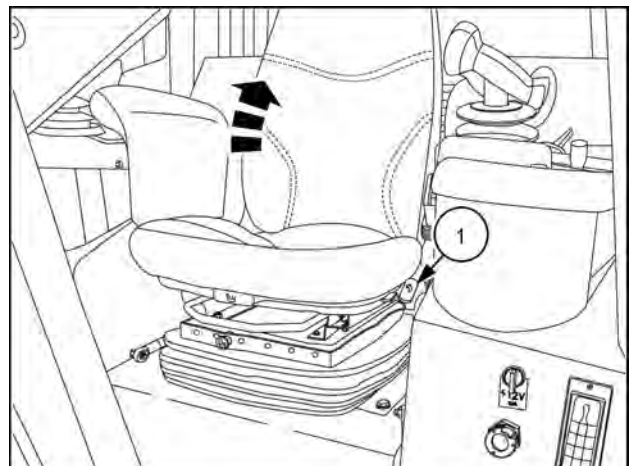
RAIL13DOZ0044BA 1

7. Remove vacuum from hydraulic system.
8. Lower seat platform and install two bolts and washers **(1)**.



RAIL12DOZ0740BA 2

9. Unlock seat lever **(1)** and raise seat back to upright position.



RAIL12DOZ0933BA 3