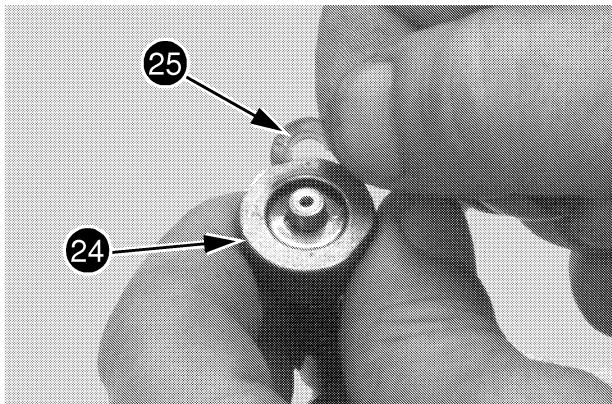


Assembly

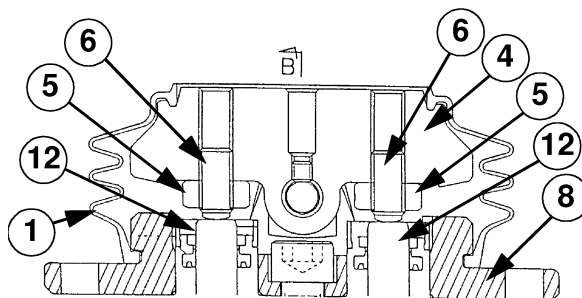
STEP 1



JD00776A

- Install the shims (27), the seat (26) and the spring (23) on the spool (28).
- Compress the spring (23) by means of the seat (24) so as to be able to engage the half lock-washers (25) in the seat (24).
- Install the springs (22) in the foot control valve body (29).
- Lubricate and insert the spool assemblies (28).
- Install the thrust bushings (21).
- Assemble the locking rings (19).
- Place the balls in their housings.
- Install the spring seats (18).
- Position the springs (16) and (17) on the seats.
- Install the cups (15).
- Assemble the O-rings (13) and the wiper seals (14) on the guides (11).
- Lubricate and assemble the push-rods (12) in the guides (11).
- Assemble the bushings (10) on the guides (11).
- Place the guide assemblies (11) in the foot control valve body (29).
- Assemble new bushings (9) in the thrust plate, using the special tool to prevent damage to the plate.
- Assemble the thrust plate.
- Coat the screw (7) lightly with (Loctite 241), assemble and tighten to torque (See "Maintenance and procedure").
- Assemble the screws (6) and nuts (5) on the cam (4).
- Place the cam (4) on the thrust plate and assemble the pin (3).
- Coat the screw (2) lightly with (Loctite 241).
- Assemble and tighten to torque the screw (2) in the cam (4).

STEP 2

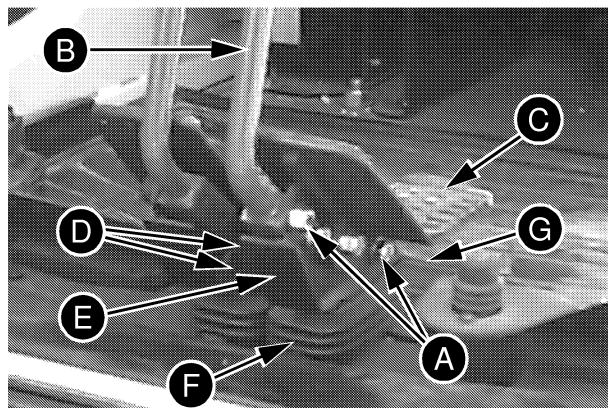


CS99D515

- Adjust the cam (4) by means of the screws (6) so as to be parallel with the thrust plate without moving the push-rods (12). Tighten the nuts to torque (See "Maintenance and procedure"), holding the screws (6) in place.
- Coat the push-rods (12) with grease.
- Assemble the boot (1).

Installation

STEP 1



CD99D009

- Place the foot control valve in position.
- Assemble and tighten the retaining screws (F).
- Install the bracket (E), tighten the retaining screws (D).
- Install the lever (B) and the pedal (C).
- Tighten the retaining screws (A) to torque (See "Maintenance and procedure").

STEP 2

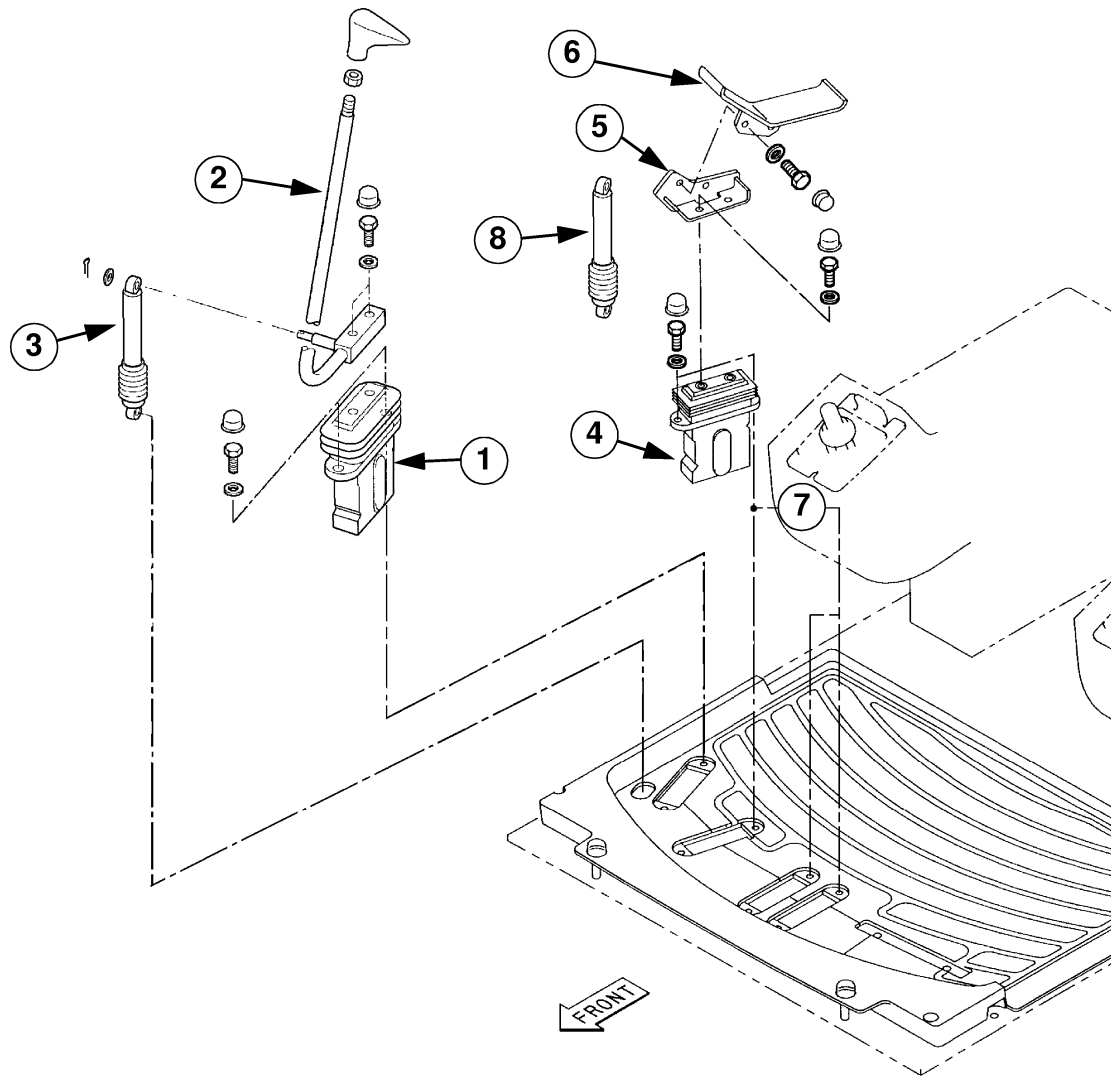
Disconnect the vacuum pump from the hydraulic reservoir. Check the hydraulic reservoir oil level and add hydraulic oil if necessary.

STEP 3

Remove the DO NOT OPERATE tag from the ignition key.

OPTION - DOZER BLADE - TRAVEL PEDAL

Removal



C199D503

- 1. Dozer blade foot control valve
- 2. Control lever
- 3. Shock absorber
- 4. Option foot control valve

- 5. Pedal bracket
- 6. Control pedal
- 7. Travel foot control valve (only on machine 9013)
- 8. Shock absorber (only on machine 9013)