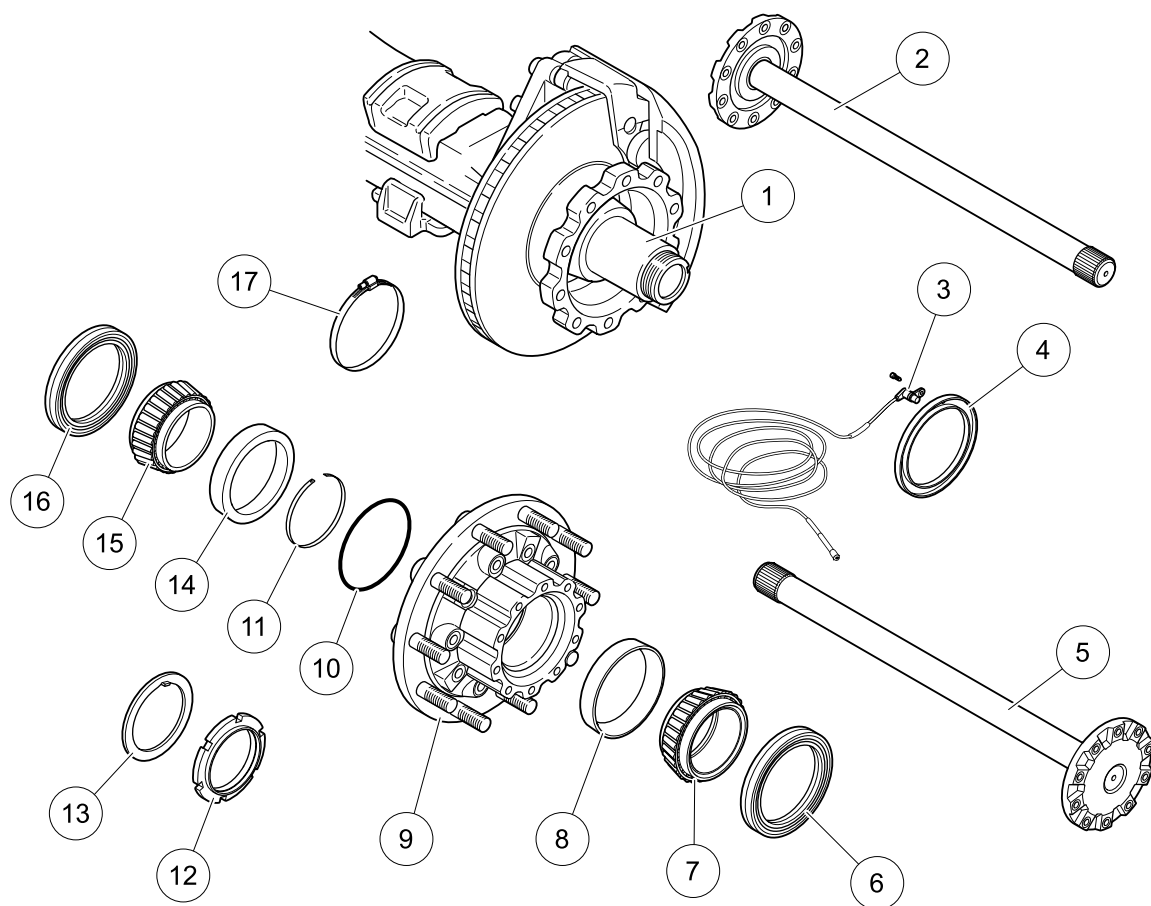


## WHEEL HUB

## Overview



F190801

- |  |   |
|--|---|
| (1) Axle tube  | (10) Sealing ring   |
| (2) Axle shaft   | (11) Retaining ring                                       |
| (3) ABS sensor   | (12) Grooved nut  |
| (4) Holder for ABS sensor                                | (13) Thrust washer  |
| (5) Axle shaft   | (14) Inner tapered roller bearing outer race              |
| (6) Outer rotary shaft seal                              | (15) Inner tapered roller bearing with bearing inner race |
| (7) Outer tapered roller bearing with bearing inner race | (16) ABS pulse wheel with rotary shaft seal               |
| (8) Outer tapered roller bearing outer race              | (17) Hose clamp   |
| (9) Wheel hub  |   |

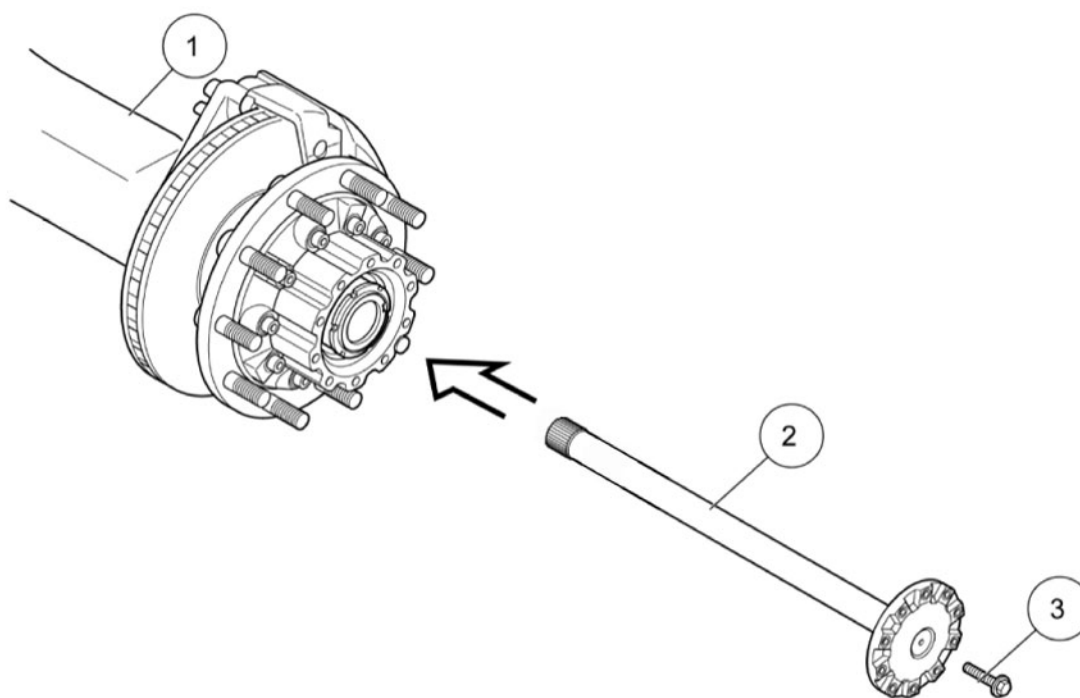


## REMOVING AND INSTALLING THE AXLE SHAFTS

### Includes

- Jacking up/lowering vehicle, securing vehicle to prevent rolling away, Operator's Manual, Maintenance Manual
- Removing and fitting the road wheels, Operator's Manual, Maintenance Manual
- Checking the oil level, topping up if necessary, Maintenance Manual

### Overall view



F190802

- (1) Axle housing
- (2) Axle shaft

- (3) Mounting bolt

### Technical data

Wheel nut .....	M 22 x 1.5.....	575 Nm
Axle shaft mounting bolt.....	M 16 x 1.5 - 10.9 .....	360 Nm
Oil level checking and filler plug.....	M 24 x 1.5.....	70 Nm
Oil drain plug.....	M 24 x 1.5.....	70 Nm

Loosening torque, combination brake cylinder release device .....	max. 35 Nm
Threaded spindle on sliding calliper.....	10 - 15 Nm

Clearance between brake pad and brake disc.....	0.5 - 0.7 mm
---	--------------

### Service products

Face sealing agent.....	Three Bond white
-------------------------	------------------

### Important information



#### Note

Note the combination brake cylinder release torque when releasing the brake using the combination brake cylinder release device, see Technical data, page 13

Adjust the clearance when releasing the brake using the brake adjuster threaded spindle, see Technical data, page 13