

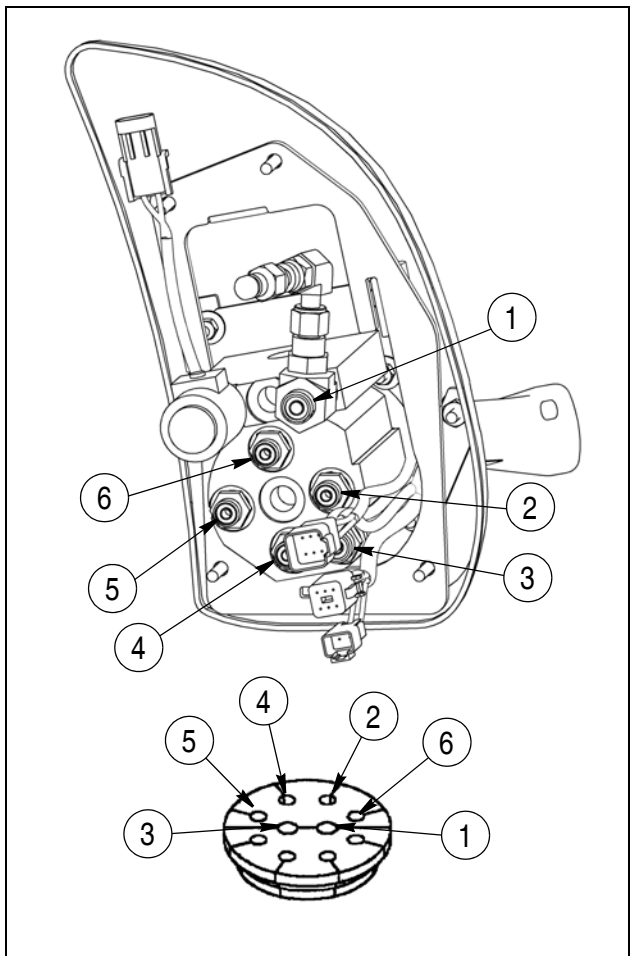
BS07D283

1. YELLOW WHITE
2. PILOT PRESSURE HOSE
3. RED BLACK
4. PILOT TANK HOSE
5. ORANGE BLACK
6. YELLOW BLACK
7. GREEN BLACK
8. RED WHITE

JOYSTICK AND 1 LEVER HOSE COLOR CODING

1. YELLOW WHITE
2. PILOT PRESSURE HOSE
3. RED BLACK
4. PILOT TANK HOSE
5. ORANGE BLACK
6. YELLOW BLACK
7. GREEN BLACK
8. RED WHITE

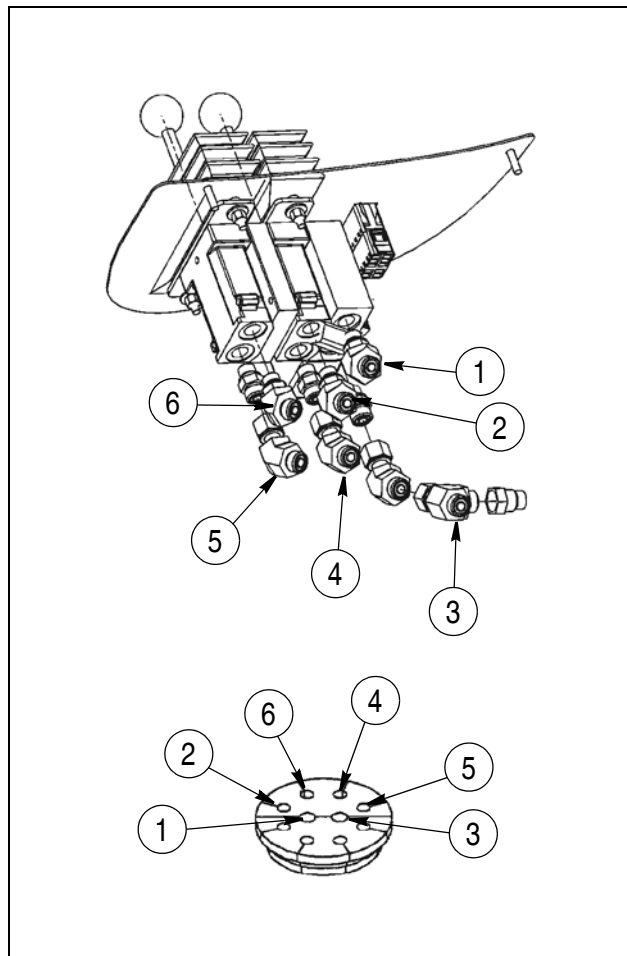
3 LEVER HOSE COLOR CODING



BS07D285

- 1. PILOT PRESSURE HOSE
- 2. RED BLACK
- 3. PILOT TANK HOSE
- 4. ORANGE BLACK
- 5. YELLOW BLACK
- 6. GREEN BLACK

JOYSTICK HOSE COLOR CODING



BS08B057

- 1. PILOT TANK HOSE
- 2. YELLOW BLACK
- 3. PILOT PRESSURE HOSE
- 4. RED BLACK
- 5. GREEN BLACK
- 6. ORANGE BLACK

2 LEVER HOSE COLOR CODING

HYDRAULIC PUMP

Removal

STEP 55

Park the machine on a level surface and lower the bucket to the floor. Stop the engine and apply the parking brake.

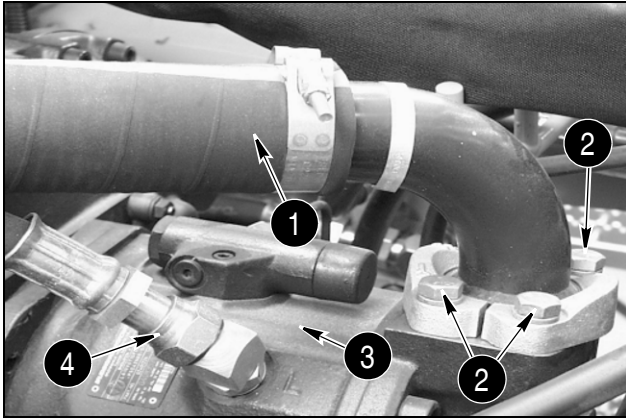
STEP 56

Place the master disconnect switch in the OFF position.

STEP 57

Drain the hydraulic reservoir then refer to Section 9007 and remove the ROPS cab or ROPS canopy.

STEP 58



BD01D303

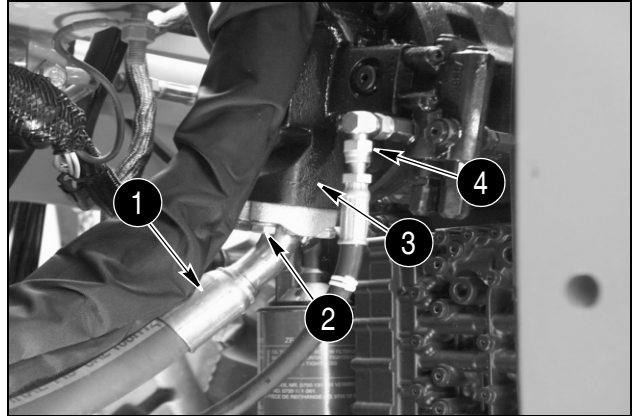
- | | |
|-----------------|--------------------|
| 1. SUCTION HOSE | 3. HYDRAULIC PUMP |
| 2. BOLTS (4) | 4. CASE DRAIN HOSE |

A. Loosen and remove the four bolts (2) connecting the suction hose (1) to the hydraulic pump (3).

B. Tag and disconnect the case drain hose (4) from the top of the hydraulic pump (3).

C. Plug all lines and cap all fittings.

STEP 59



BD01D308

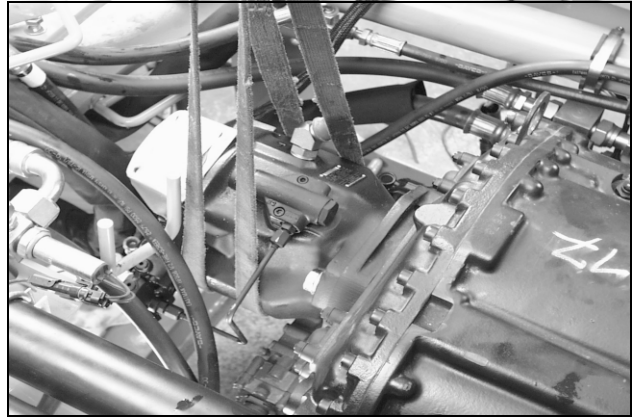
- | | |
|------------------|----------------------|
| 1. PRESSURE HOSE | 3. HYDRAULIC PUMP |
| 2. BOLTS (4) | 4. LOAD SENSING HOSE |

A. Loosen and remove the four bolts (2) connecting the pressure hose (1) to the hydraulic pump (3).

B. Tag and disconnect the load sensing hose (4) from the hydraulic pump (3).

C. Plug all lines and cap all fittings.

STEP 60



BD01D333

Use proper lifting device to strap and support the hydraulic pump.