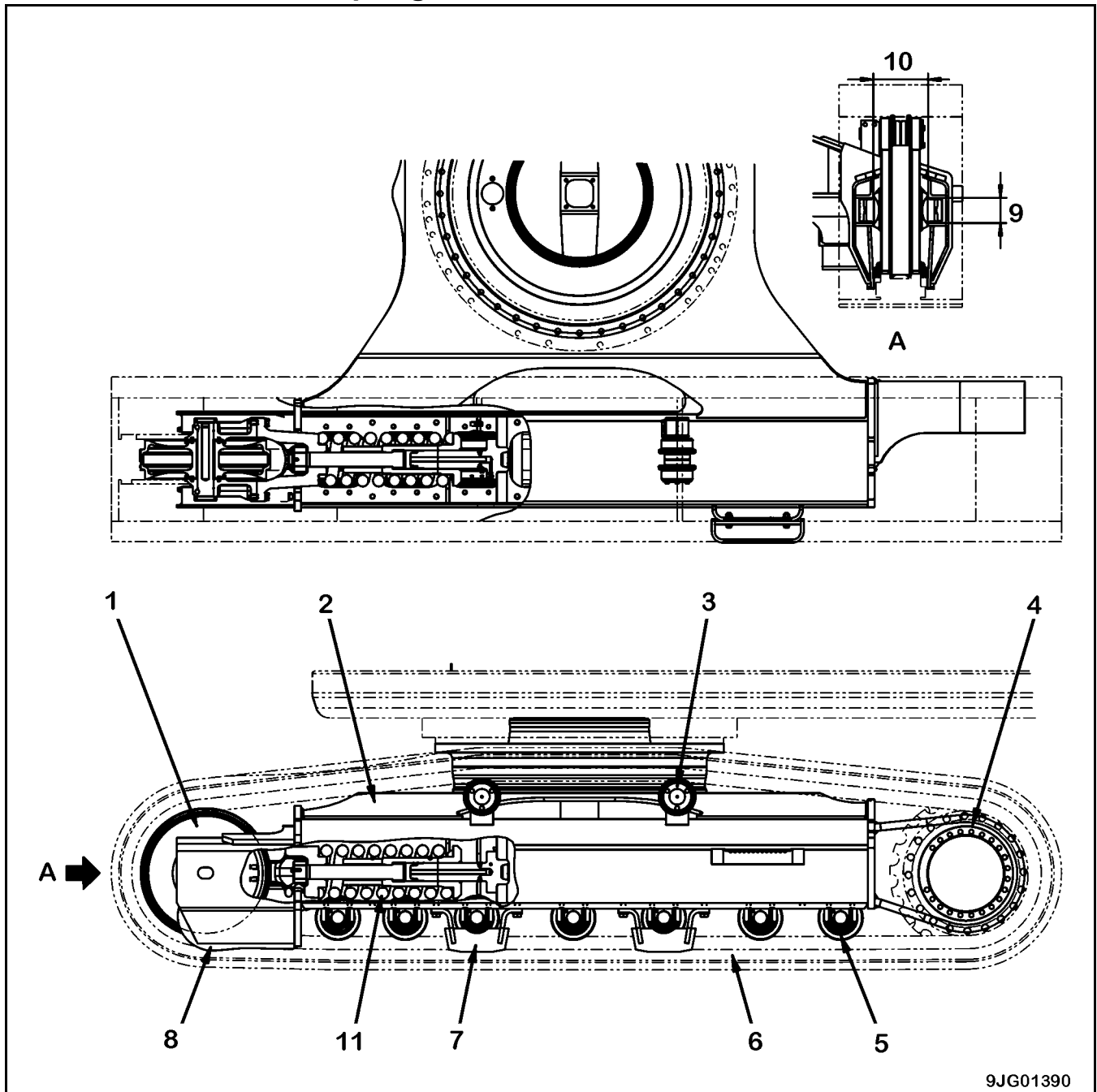


# UNDERCARRIAGE AND FRAME

## Track frame and recoil spring



9JG01390

- |                   |                 |
|-------------------|-----------------|
| 1. Idler          | 5. Track roller |
| 2. Track frame    | 6. Track shoe   |
| 3. Carrier roller | 7. Center guard |
| 4. Final drive    | 8. Front guard  |

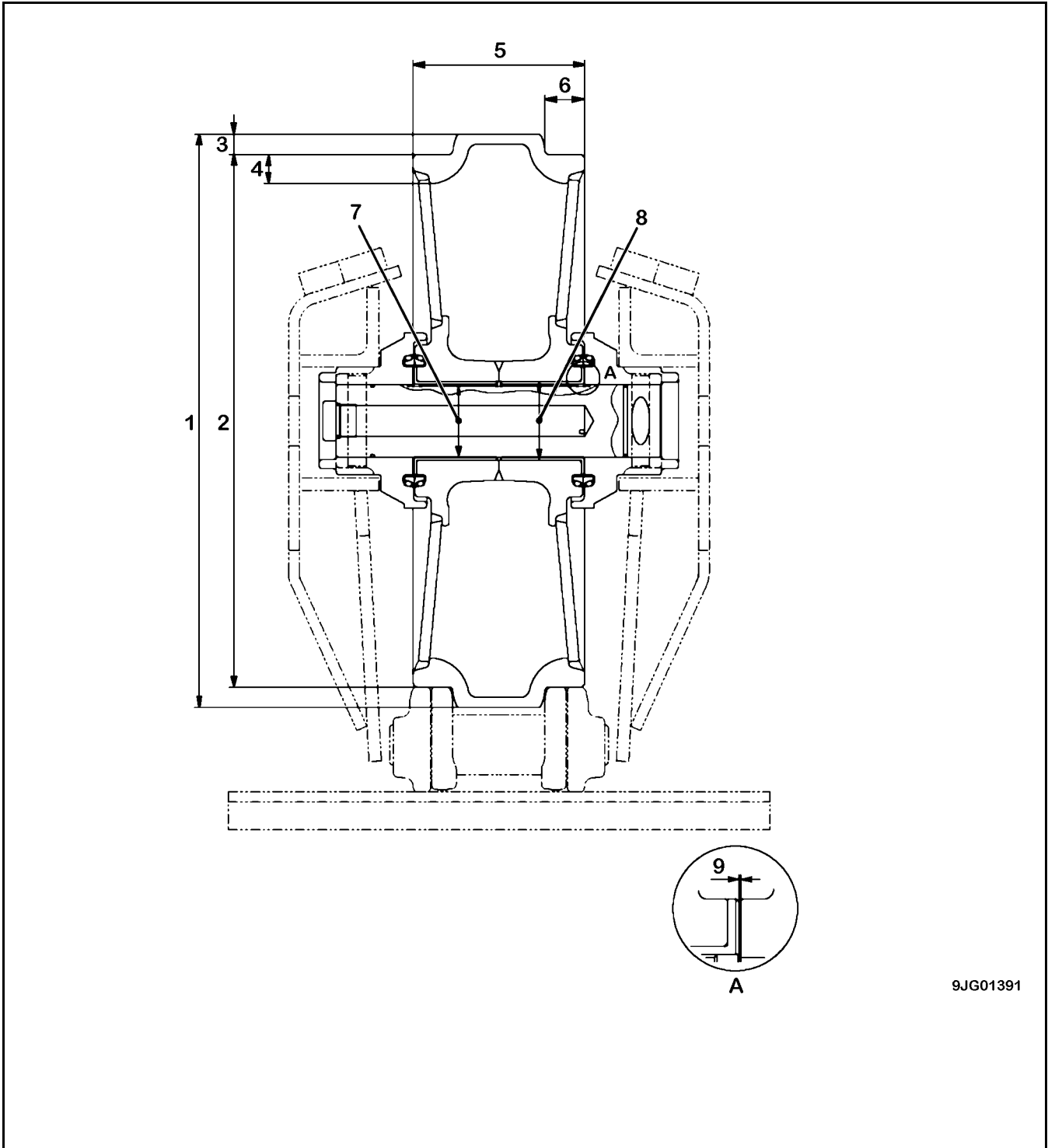
- The dimensions and the number of track rollers depend on the model, but the basic structure is not different.  
Number of track rollers. . . . . Qty (one side) 8

**Standard shoe**

		Model
		PC270LC-8
Item	Shoe width (triple shoe) (mm)	700
	Link pitch (mm)	216
	No. of shoes (one side)	48

Unit: mm							
No.	Check Item	Criteria			Remedy		
		Standard size	Tolerance	Repair limit			
9	Vertical width of idler guide	Track frame	123	+2 -1	127	Build-up welding for rebuilding or replace	
		Idler support	120	±0.5	118		
10	Horizontal width of idler guide	Track frame	266	+3 -1	271		
		Idler support	261	—	259		
11	Recoil spring	Standard size			Repair limit		Replace
		Free length x O.D.	Installation length	Installation load	Free length	Installation load	
		811.5 x 261	655	208.7 kN {21,287 kg}	—	—	

Idler



9JG01391