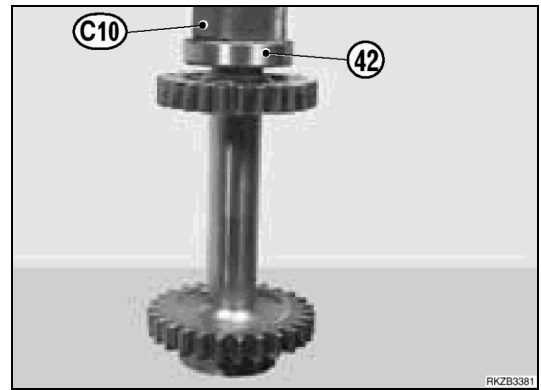
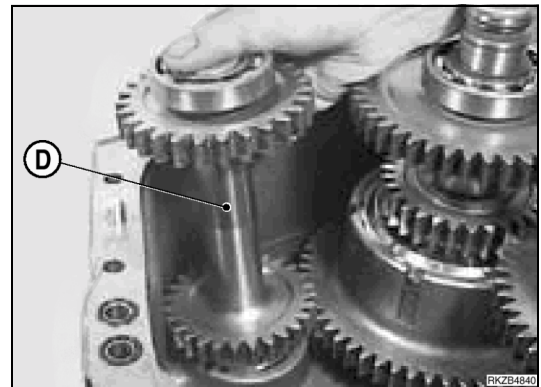


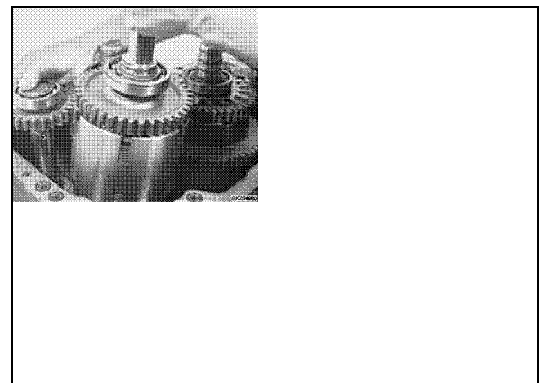
29. Assemble **D** shaft bearing (42). Use tool **C10**.



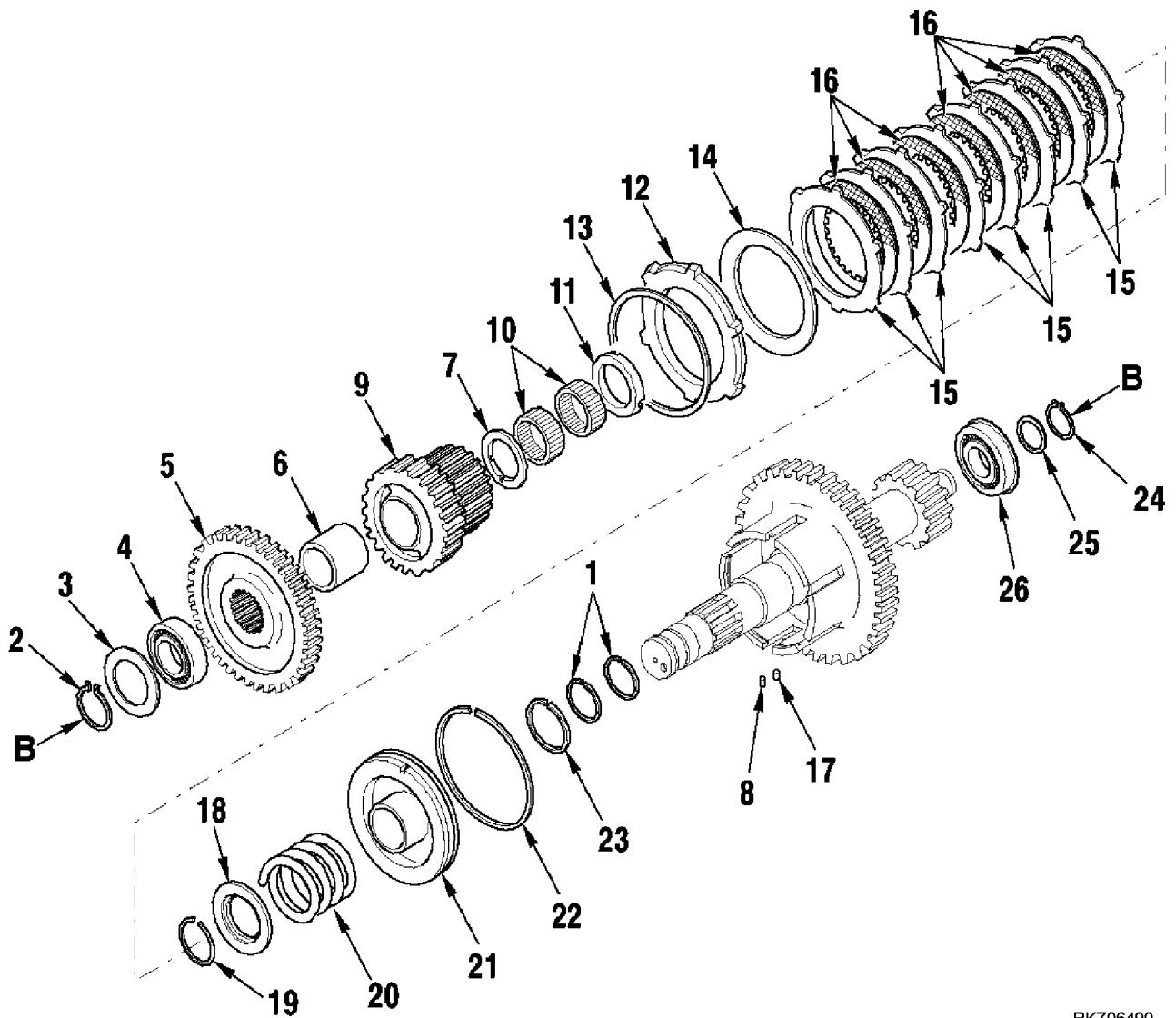
30. Reposition shaft assembly **D**.



31. Reposition shaft assembly **A**.

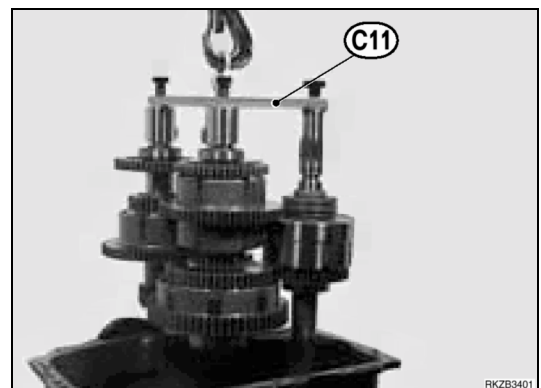


DISASSEMBLY SHAFT B



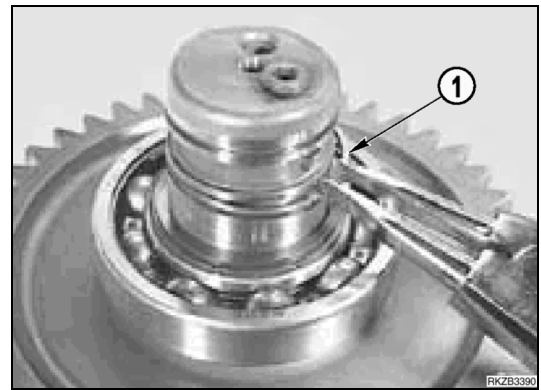
RKZ06490

1. Lift the three shafts **B-C-E**, at the same time. Use tool **C11**.



RKZB3401

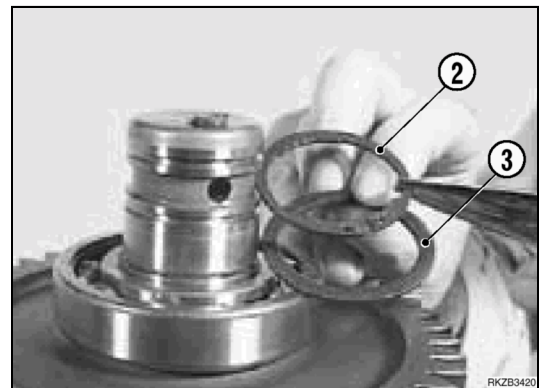
2. Spread open and remove rotary seals (1).



3. Remove retaining ring (2).



4. Remove spacer (3).



5. Using an appropriate extractor, remove bearing (4).

