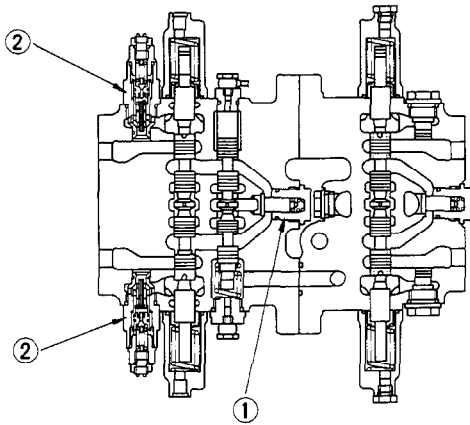
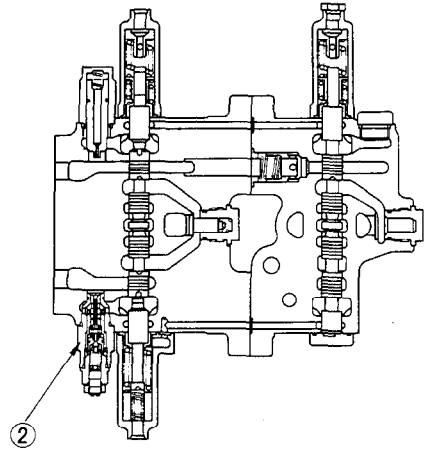


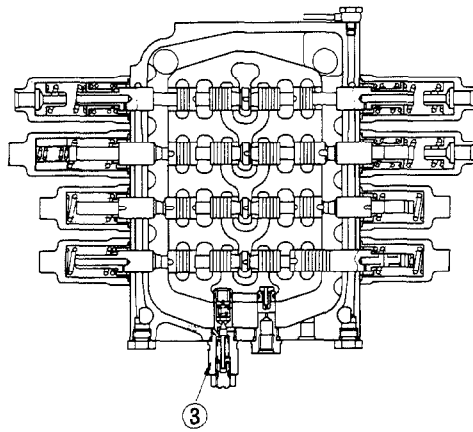
• Control valve



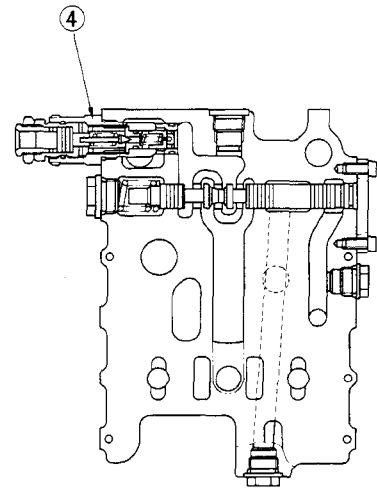
205F05516



205F05517



205F05518

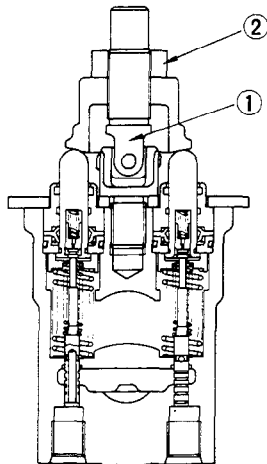


205F05519

Fig. 5

020705

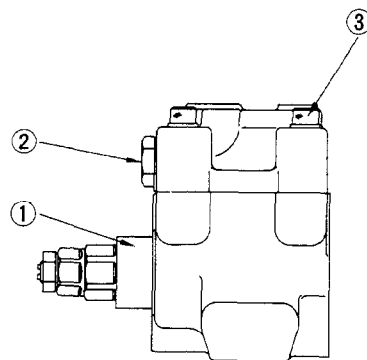
• Work equipment PPC valve



205F05520

Fig. 6

• Boom holding valve



205F05521

Fig. 7

## REMOVAL OF STARTING MOTOR ASSEMBLY

PC300, 300LC-5

**⚠** Disconnect the cable from the negative (-) terminal of the battery.

1. Disconnect wiring connector (1). (See F1)
2. Disconnect wiring (2). (See F1)
3. Remove starting motor assembly (3). (See F1)

## INSTALLATION OF STARTING MOTOR ASSEMBLY

PC300, 300LC-5

- Carry out installation in the reverse order to removal.

## REMOVAL OF STARTING MOTOR ASSEMBLY

PC400, 400LC-5

**⚠** Disconnect the cable from the negative (-) terminal of the battery.

1. Disconnect wiring connector (1). (See F2)
2. Disconnect wiring (2). (See F2)
3. Remove starting motor assembly (3). (See F2)

## INSTALLATION OF STARTING MOTOR ASSEMBLY

PC400, 400C-5

- Carry out installation in the reverse order to removal.

## REMOVAL OF ALTERNATOR ASSEMBLY

PC300, 300LC-5

**⚠** Disconnect the cable from the negative (-) terminal of the battery.

1. Disconnect wiring (1). (See F3)
2. Remove adjustment bolt (2). (See F3)
  - ★ Loosen mounting bolts and nuts (3). (See F3)
3. Remove fan belt (4). (See F3) **※ 1**
4. Remove mounting bolts and nuts (3). (See F3)
5. Remove alternator assembly (5). (See F3)

## INSTALLATION OF ALTERNATOR ASSEMBLY

PC300, 300LC-5

- Carry out installation in the reverse order to removal.

**※ 1**

- Adjust the fan belt tension. For details, see TESTING AND ADJUSTING.

## REMOVAL OF ALTERNATOR ASSEMBLY

PC400, 400LC-5

**⚠** Disconnect the cable from the negative (-) terminal of the battery.

1. Disconnect wiring (1).
2. Remove adjustment bolt (2).
  - ★ Loosen mounting bolts and nuts (3).
3. Remove fan belt (4). **※ 1**
4. Remove mounting bolts and nuts (3).
5. Remove alternator assembly (5).

## INSTALLATION OF ALTERNATOR ASSEMBLY

PC400, 400LC-5

- Carry out installation in the reverse order to removal.

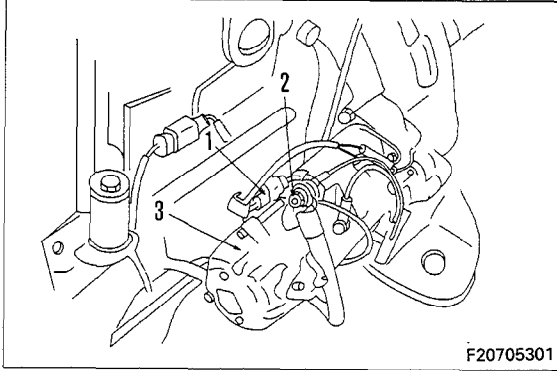
**※ 1**

- Adjust the fan belt tension. For details, see TESTING AND ADJUSTING.

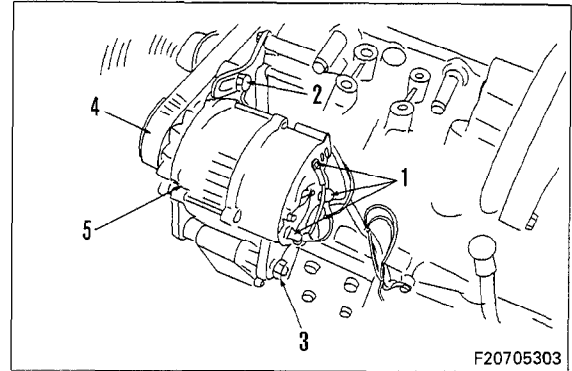
020705

020705

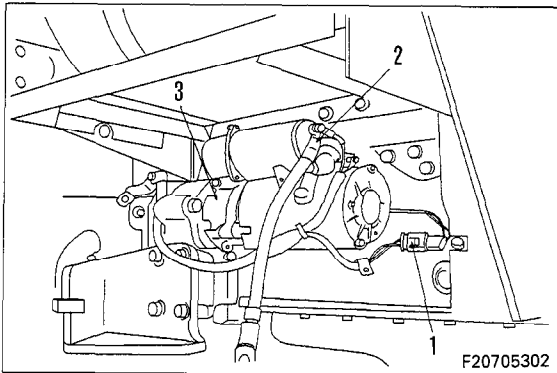
F1



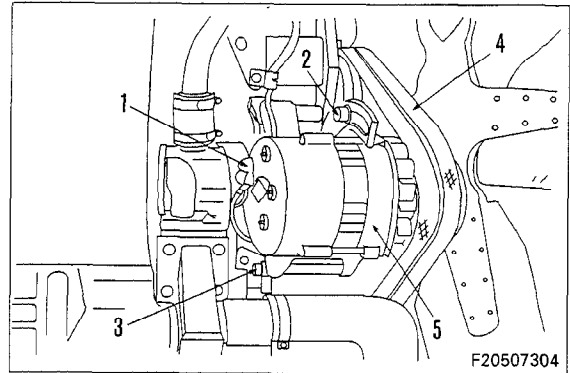
F3



F2



F4



## REMOVAL OF ENGINE OIL COOLER ASSEMBLY

### PC300, 300LC-5

1. Remove fuel injection pump assembly.
  - For details, see REMOVAL OF FUEL INJECTION PUMP ASSEMBLY.
2. Drain cooling water.
3. Disconnect wiring (1). (See F1)
4. Remove oil filter assembly (2). (See F1)
5. Disconnect hose (3). (See F1)
6. Disconnect tube (4). (See F1)
7. Remove oil cooler assembly (5). (See F1)

※ 1

## INSTALLATION OF ENGINE OIL COOLER ASSEMBLY

### PC300, 300LC-5

- Carry out installation in the reverse order to removal.
- Refilling with water
  - ★ Add water to the specified level, and run the engine to circulate the water through the system. Then check the water level again.

※ 1

- The dimensions of the mounting bolts differ according to the mounting position, so refer to the table below when installing. (See F2)

Unit: mm

| Mounting bolt | Bolt diameter | Bolt length (under head) |
|---------------|---------------|--------------------------|
| A             | 8             | 25                       |
| B             | 8             | 20                       |
| C             | 8             | 85                       |
| D             | 8             | 60                       |
| E             | 10            | 30                       |
| F             | 10            | 20                       |
| G             | 8             | 35                       |
| H             | 8             | 25                       |
| Others        | 8             | 30                       |

## REMOVAL OF ENGINE OIL COOLER ASSEMBLY

### PC400, 400LC-5

1. Drain cooling water.
2. Remove bracket (1). (See F3)
3. Disconnect tube (2). (See F4)
4. Remove oil cooler assembly (3). (See F4)

## INSTALLATION OF ENGINE OIL COOLER ASSEMBLY

### PC400, 400LC-5

- Carry out installation in the reverse order to removal.
- Refilling with water
  - ★ Add water to the specified level, and run the engine to circulate the water through the system. Then check the water level again.

020705