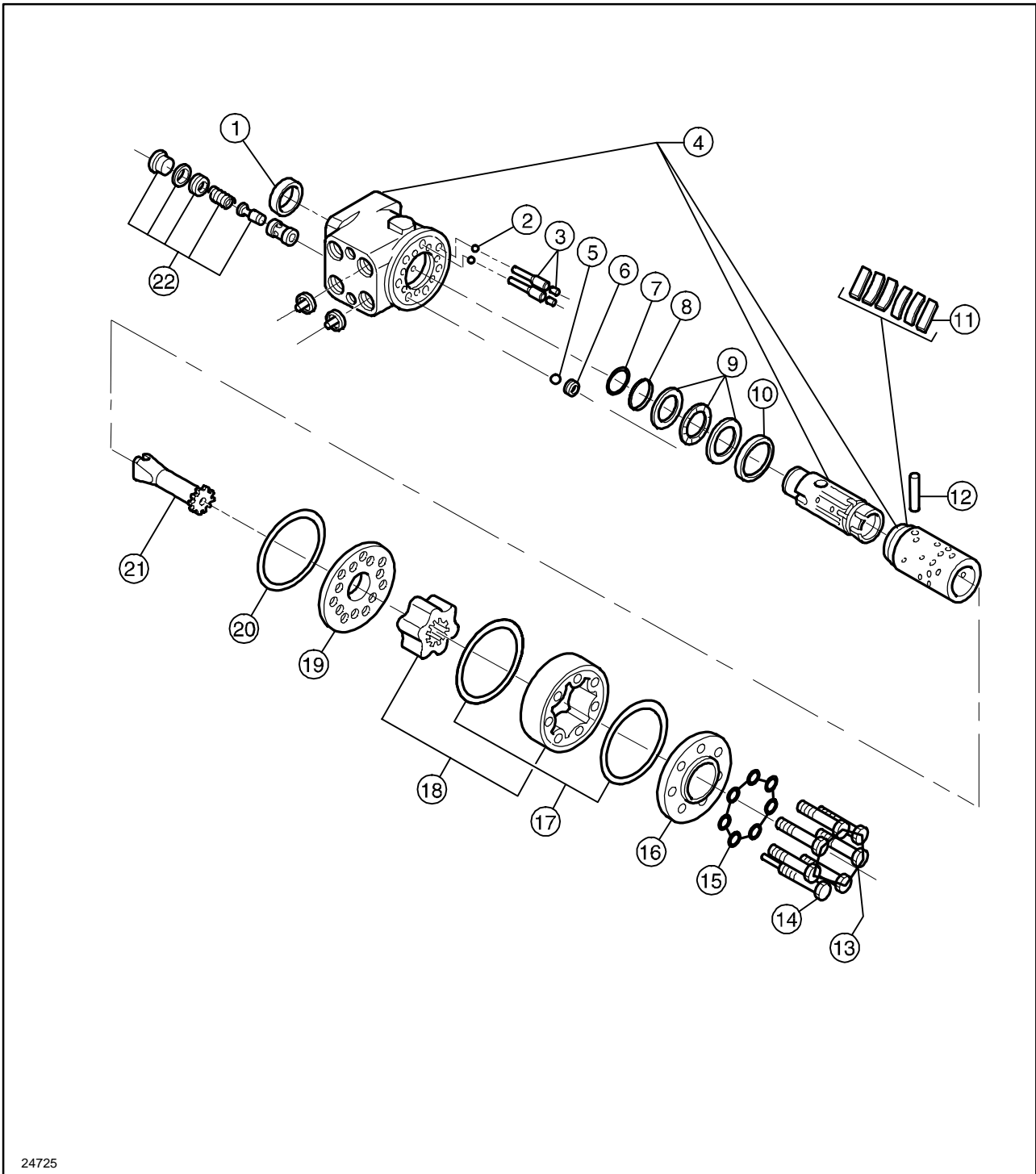


1

Hydrostatic steering - Oil pump components

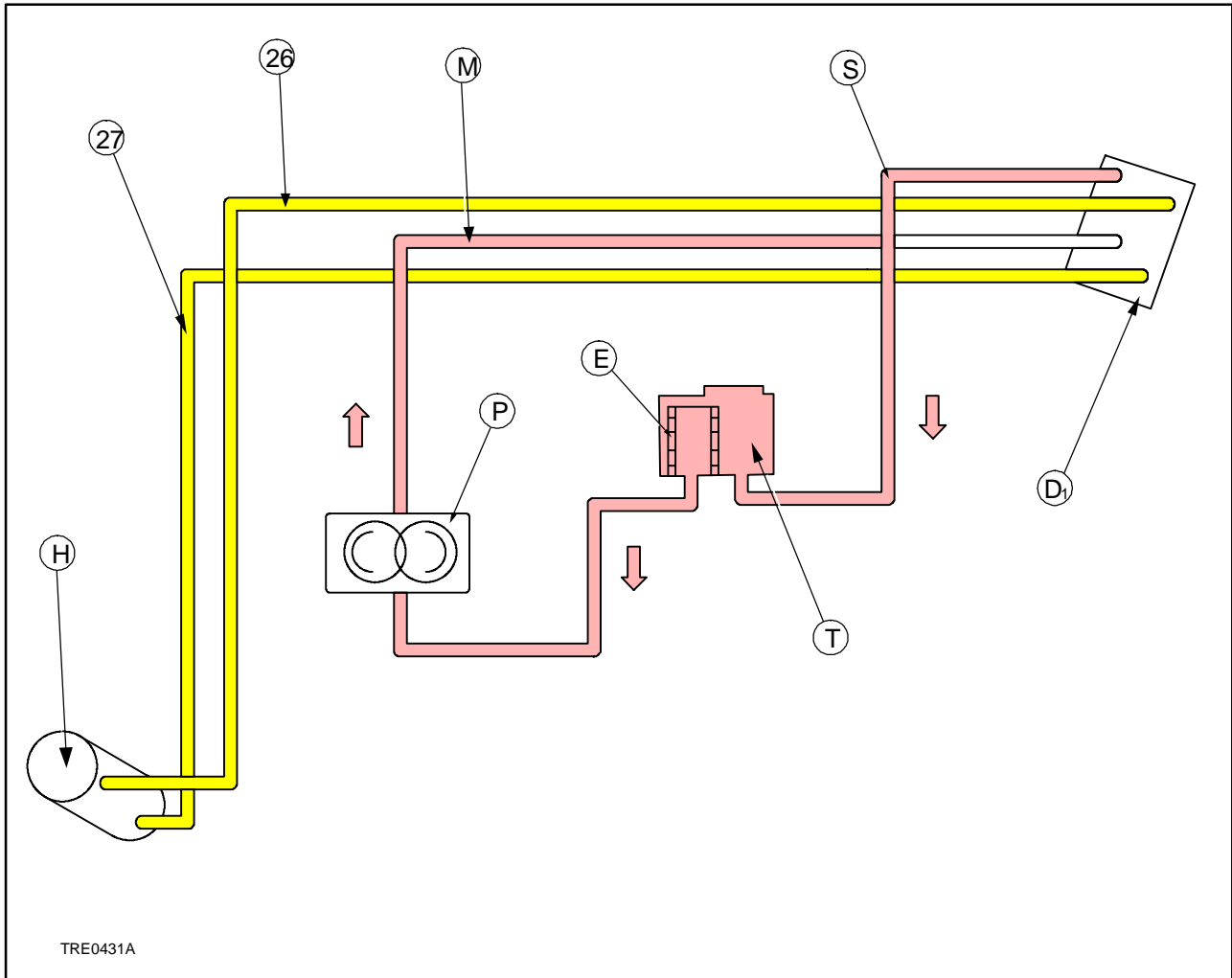
- | | |
|-----------------------------------|------------------------|
| 1. Front cover | 11. Driving shaft seal |
| 2. Cover seals | 12. Snap ring |
| 3. Pump body | 13. Lock washer |
| 4. Gear support | 14. Nut |
| 5. Driven and driving gear shafts | 15. Bolt |
| 6. Gear support | 16. Washer |
| 7. Bushing | 17. Key |
| 8. Control side cover | 18. Bushing. |
| 9. Driving shaft seal | 19. Safety washer |
| 10. Spacer | 20. Nut. |



24725

Hydrostatic steering - Control valve components

- | | |
|--|--|
| 1. Dust seal | 12. Rotor control shaft - sleeve trim pin |
| 2. Reflux valve balls | 13. Cover fixing screws |
| 3. Reflux valve pins | 14. Check valve seat screw |
| 4. Control valve body, rotary valve and rotary valve seat sleeve | 15. Washers |
| 5. Check valve ball | 16. Cover |
| 6. Threaded plug of check valve | 17. O-rings |
| 7. O-ring seal | 18. Rotor and fixed ring for rotor |
| 8. Support ring for O-ring (7) | 19. Thrust washer |
| 9. Thrust bearing components | 20. O-ring |
| 10. Retaining ring for springs (11) | 21. Rotor control shaft |
| 11. Springs for returning sleeve to neutral position | 22. Pressure relief valve complete with spring |



General hydraulic diagram

H ---- Power steering cylinder

D1 --- Hydrostatic steering control valve

E ---- Filter

T ---- Oil tank

P ---- Pump

26 Oil in intake line

27 Oil in delivery line from pump

M-Oil delivery to control valve

S -Oil at lubrication pressure