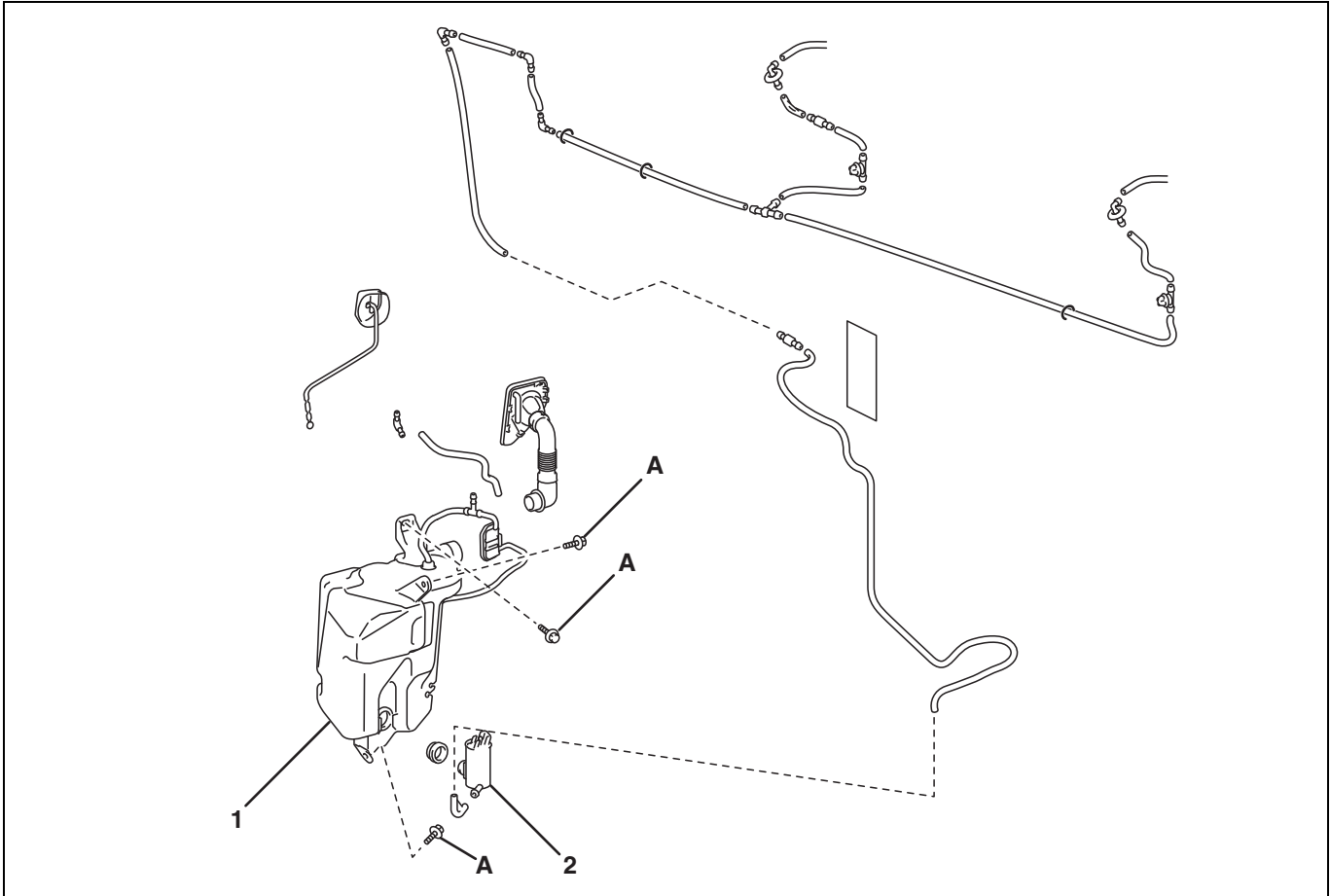


# WASHER

## COMPONENT LOCATOR

EN01E19ZZZ060402001001



SHTS19ZZZ0600011

1 Washer tank	2 Washer pump
---------------	---------------

Tightening torque

Unit: N·m {kgf·cm, lbf·ft}

A 3.9-6.9 {40-70, 2.9-5.0}	
----------------------------	--

## REPLACEMENT

EN01E19ZZZ060402001002

### REMOVING THE WASHER TANK

#### 1. DISCONNECTING THE BATTERY TERMINALS

- (1) Disconnect the negative battery terminal.

#### 2. REMOVING THE D SEAT LOWER PANEL

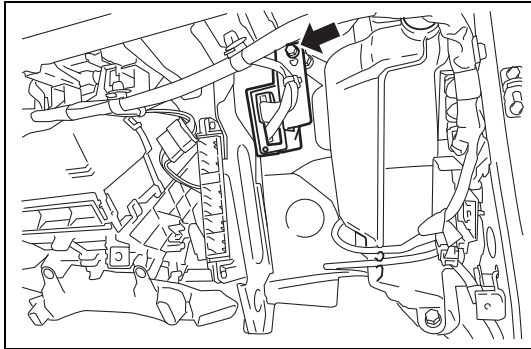
Reference: BODY INSIDE ACCESSORY, INSTRUMENT PANEL AND DRIVER INFORMATION, INSTRUMENT PANEL, REPLACEMENT, REMOVING THE INSTRUMENT PANELS (Page 15-6)

#### 3. REMOVING THE UPPER BOX

Reference: BODY INSIDE ACCESSORY, INSTRUMENT PANEL AND DRIVER INFORMATION, INSTRUMENT PANEL, REPLACEMENT, REMOVING THE INSTRUMENT PANELS (Page 15-6)

#### 4. REMOVING THE REINFORCE BRACKET

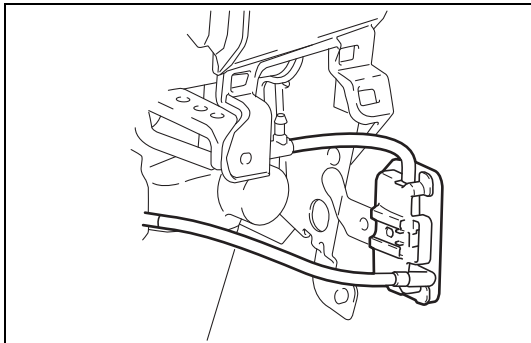
- (1) Unfasten the bolt to remove the reinforce bracket.



SHTS19ZZZ0600012

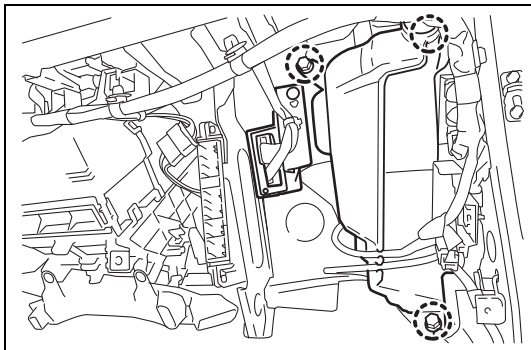
#### 5. REMOVING THE WASHER TANK

- (1) Disconnect the washer inlet hose.
- (2) Disconnect the connector of the water motor.
- (3) Remove the gauge tank from the bracket.



SHTS19ZZZ0600013

- (4) Unfasten the bolts (3 pcs.) to remove the washer tank.

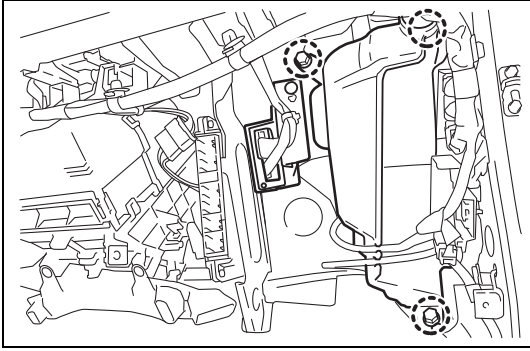


SHTS19ZZZ0600014

## INSTALLING THE WASHER TANK

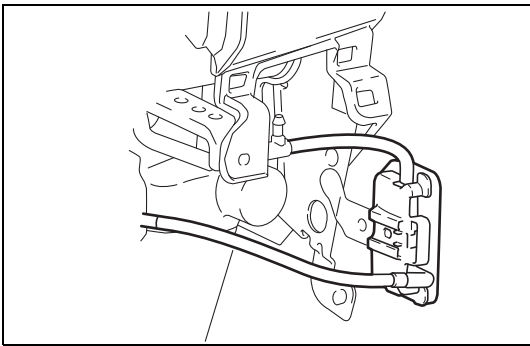
### 1. INSTALLING THE WASHER TANK

- (1) Mount the washer tank by bolts (3 pcs.).  
**Tightening Torque:**  
**3.9-6.9 N·m {40-70 kgf·cm, 2.9-5.0 lbf·ft}**



SHTS19ZZZ0600015

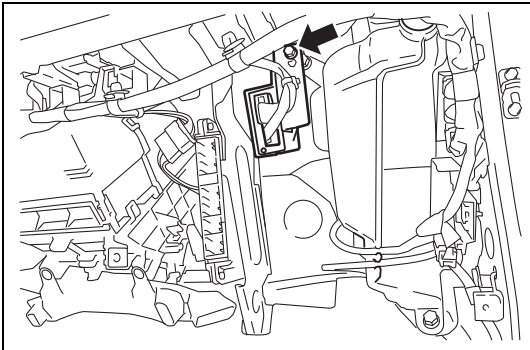
- (2) Mount the gauge tank to the bracket.
- (3) Connect the connector of the washer motor.
- (4) Connect the washer inlet hoses.



SHTS19ZZZ0600016

### 2. MOUNTING THE REINFORCE BRACKET

- (1) Mount the reinforce bracket by the bolt.



SHTS19ZZZ0600017

### 3. MOUNTING THE UPPER BOX

Reference: BODY INSIDE ACCESSORY, INSTRUMENT PANEL AND DRIVER INFORMATION, INSTRUMENT PANEL, REPLACEMENT, INSTALLING THE INSTRUMENT PANEL (Page 15-11)

### 4. MOUNTING THE D SEAT LOWER PANEL

Reference: BODY INSIDE ACCESSORY, INSTRUMENT PANEL AND DRIVER INFORMATION, INSTRUMENT PANEL, REPLACEMENT, INSTALLING THE INSTRUMENT PANEL (Page 15-11)

### 5. CONNECTING THE BATTERY TERMINALS

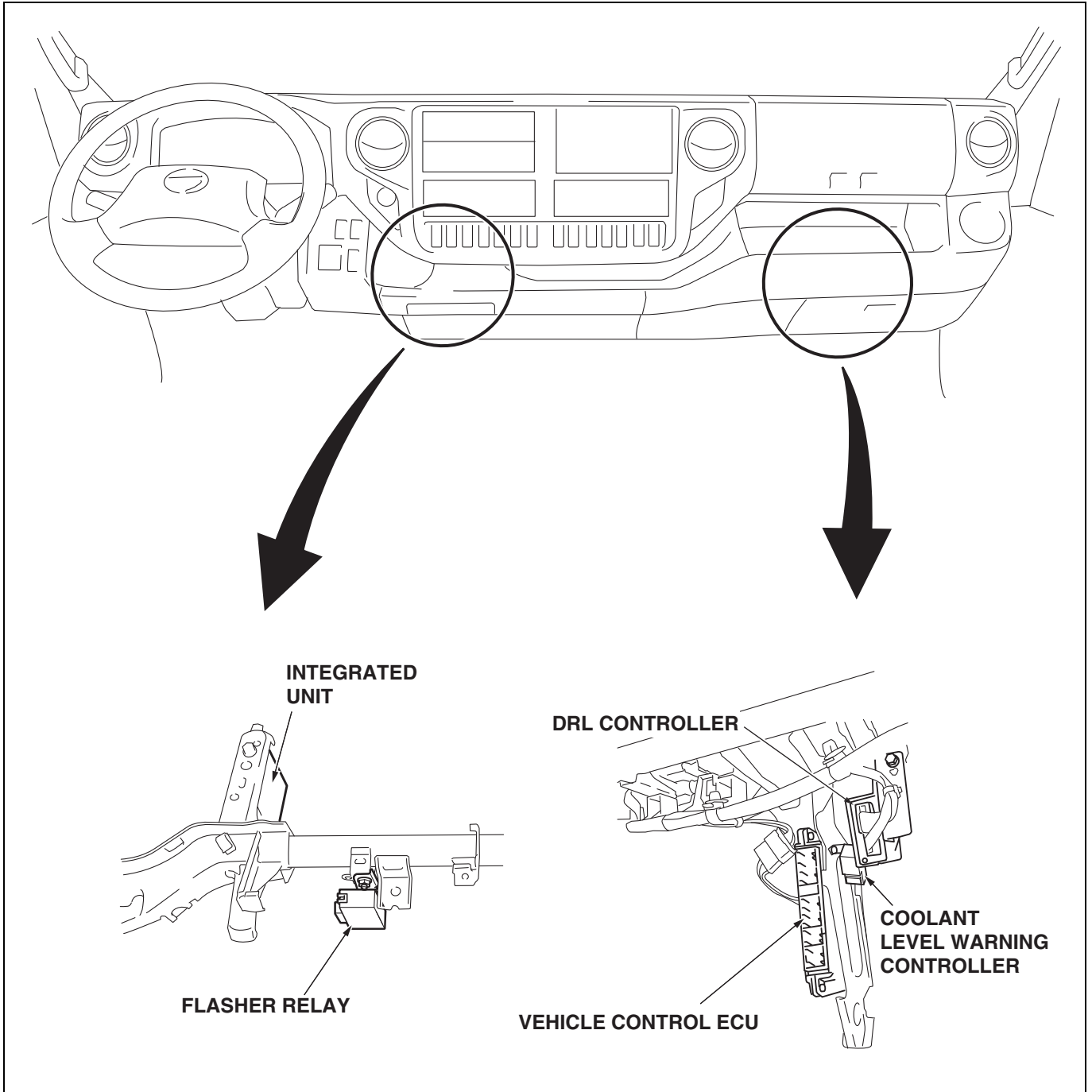
- (1) Connect the negative battery terminal.

# COMPUTER

# COMPUTER

## MOUNTING POSITION

EN01E19ZZZ070402001001



SHTS19ZZZ0700001

