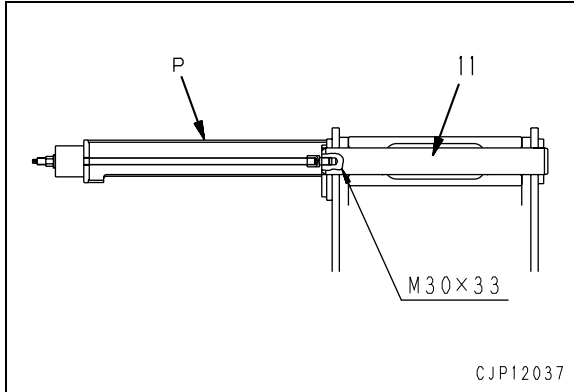
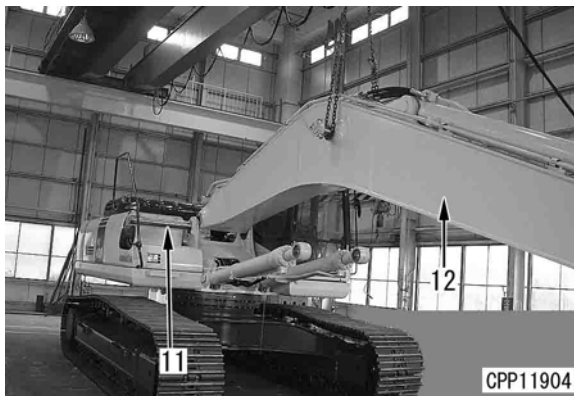


- When removing with tool **P**
Remove plate (10). Sling and set tool **P** and remove foot pin (11) to disconnect work equipment assembly (12).
- ★ Check the quantity and positions of the inserted shims.



9. Move the machine in reverse to remove work equipment assembly (12).

 Work equipment assembly: **7,400 kg**

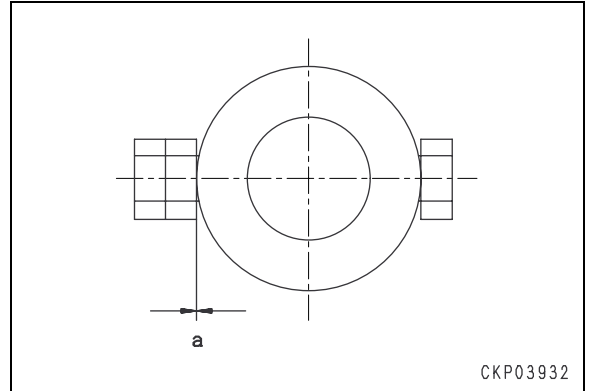


INSTALLATION

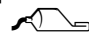
- Carry out installation in the reverse order to removal.

[*1]

- ★ Tighten the locknut so that clearance "a" between the plate and nut will be 0.5 – 1.5 mm.




[*2]

 Inside wall of bushing before assembling pin:

Anti-friction composition (LM-P)

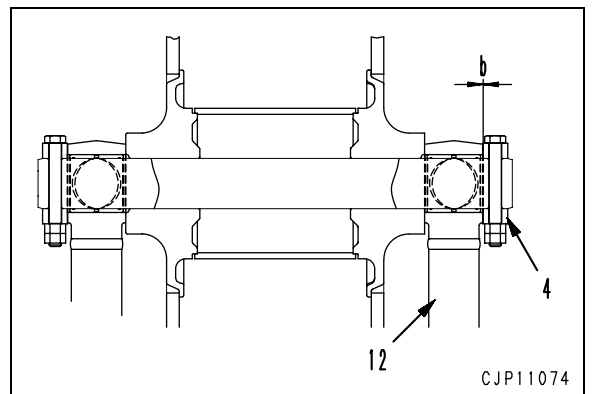
 Greasing after assembling pin:

Grease (LM-G)

 When aligning the pin holes, never insert your fingers in them.

- ★ Adjust the shim thickness so that clearance "b" between cylinder rod (12) and plate (4) will be 1.5 mm or less.

Standard shim: **1.0, 2.0 mm**



[*3]



Inside wall of bushing before assembling pin:

Anti-friction composition (LM-P)



Greasing after assembling pin:

Grease (LM-G)

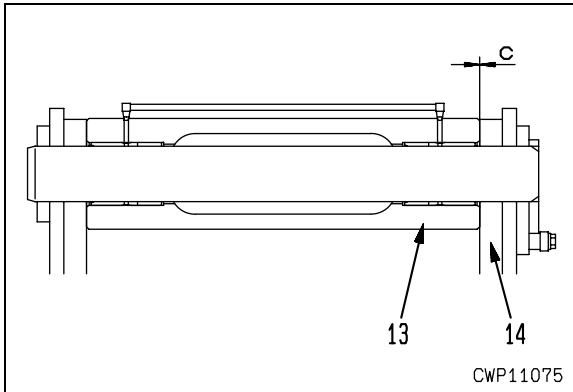


When aligning the pin holes, never insert your fingers in them.



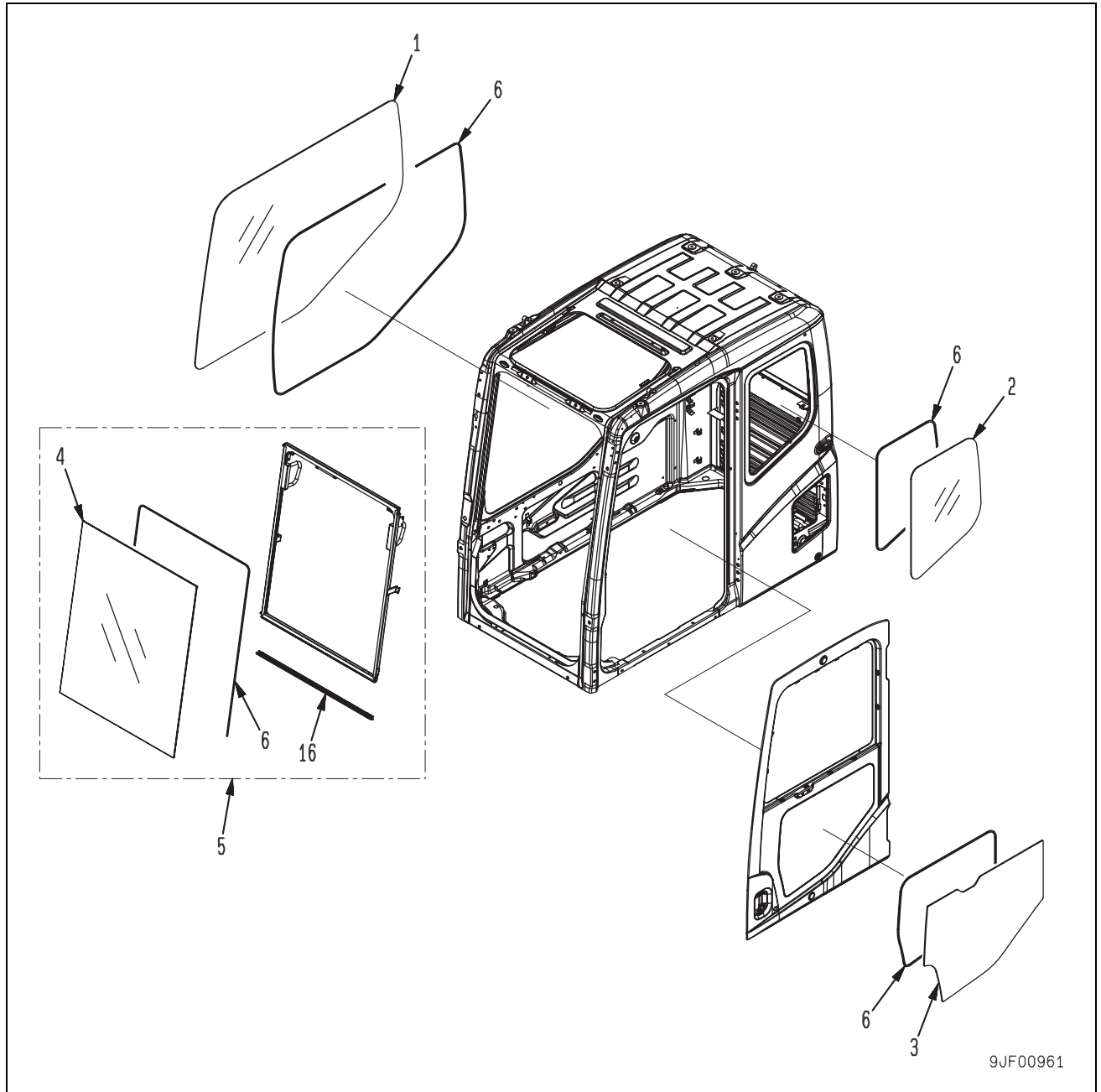
Adjust the shim thickness so that clearance "c" between boom (13) and bracket (14) will be 1 mm or less.

Standard shim: **2.0, 2.5, 3.0, 3.5 mm**



- **Bleeding air**
See TESTING AND ADJUSTING, Bleeding air from each part.
- **Refilling with oil (Hydraulic tank)**
Add oil through the oil filler to the specified level. Run the engine to circulate the oil through the system. Then, check the oil level again.

REMOVAL AND INSTALLATION OF OPERATOR'S CAB GLASS (STUCK GLASS)



9JF00961

- ★ Among the panes of window glass on the 4 sides of the operator's cab, 4 panes (1) – (4) are stuck. In this section, the procedure for replacing the stuck glass is explained.

When replacing front window glass (4), remove front window assembly (5). (It is impossible to replace only the front window glass while the front window assembly is installed to the operator's cab.)

For the procedure for replacing the front window assembly, see REMOVAL AND INSTALLATION OF FRONT WINDOW ASSEMBLY.

- (1) : Right side window glass
- (2) : Left side rear window glass
- (3) : Door lower window glass
- (4) : Front window glass
- (5) : Front window assembly
(Front window glass + Front frame)
- (6) : Both-sided adhesive tape
- (16) : Center trim seal