

Installing window glass

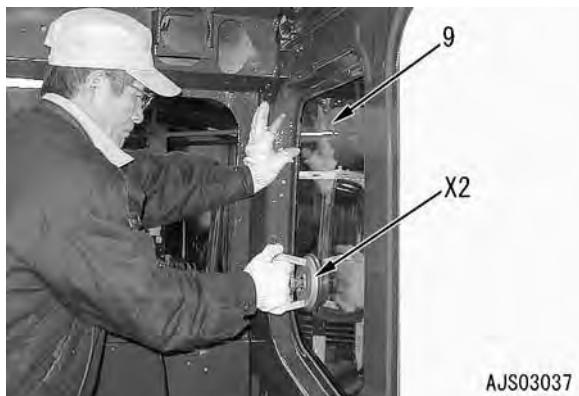
8. Install the window glass.

- 1) Install window glass (9), matching it to the lines of the positioning tapes drawn in step 5.
 - ★ Since the window glass cannot be removed and stuck again, stick it very carefully.
- 2) After sticking window glass (9), press all around it until it is stuck to the both-sided adhesive tape.
 - ★ Press the corners of the window glass firmly.

(The figure shows the operator's cab of a hydraulic excavator.)



- ★ You can perform this work efficiently by pulling window glass (9) from inside of the operator's cab with suction cup X2.

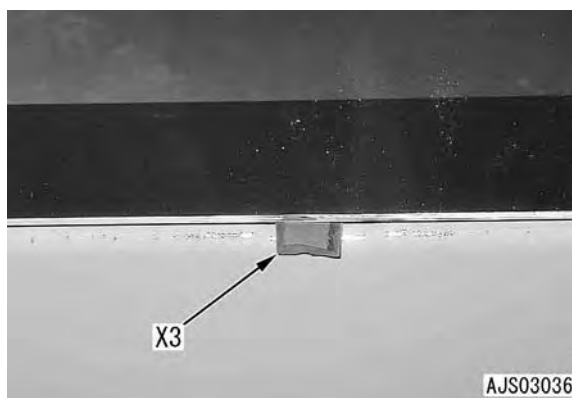
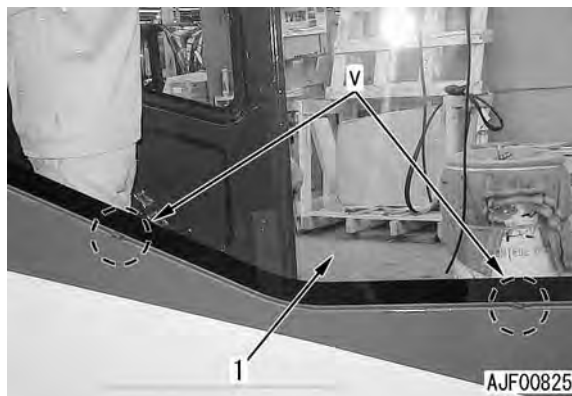


- ★ Wipe off the projected adhesive.

9. Fix the window glass.

- 1) After installing right window glass (1) to the operator's cab, insert stopper rubbers X3 in 2 places (v) at the bottom of the glass to fix the glass.

(The figure shows the operator's cab of a hydraulic excavator.)



- 2) Using styrene foam blocks [9] and rubber bands [10], fix the window glass and both-sided adhesive tape for at least 10 hours to fit them completely.

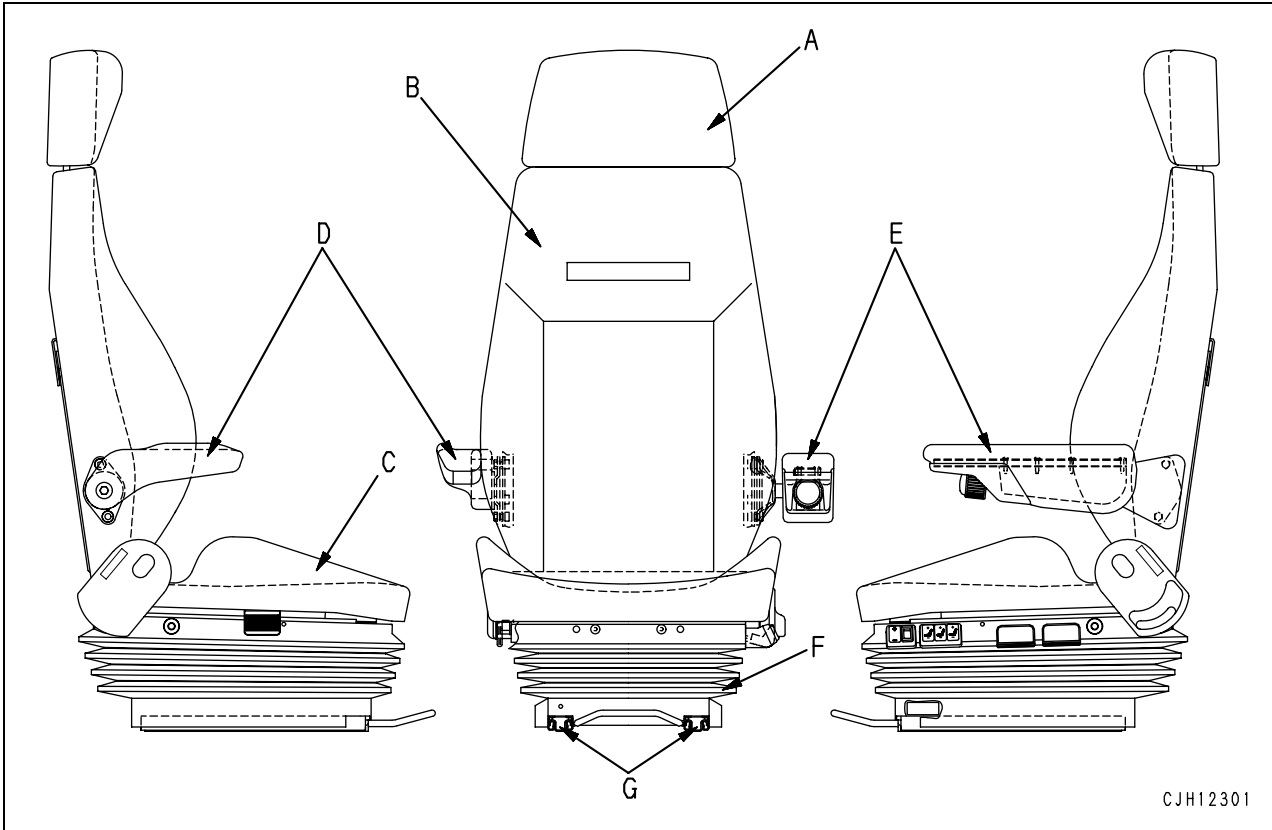
(The figure shows the operator's cab of a hydraulic excavator.)



10. After installing the window glass, remove the primer and adhesive from the operator's cab and window glass.
 - ★ Using white gasoline, wipe off the adhesive before it is dried up.
 - ★ When cleaning the glass, do not give an impact to it.

Disassembly and assembly of operator's seat assembly

- ★ The procedure for disassembling and assembling the operator's seat assembly [with air suspension (manufactured by ISRING HAUSEN)] is shown below.
- ★ If this operator's seat is equipped.



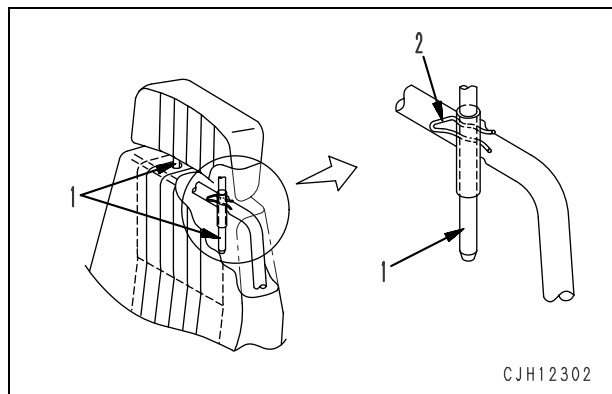
- A: Headrest
- B: Seatback
- C: Seat cushion
- D: Right-hand armrest

- E: Left-hand armrest
- F: Suspension cover
- G: Sliderrails

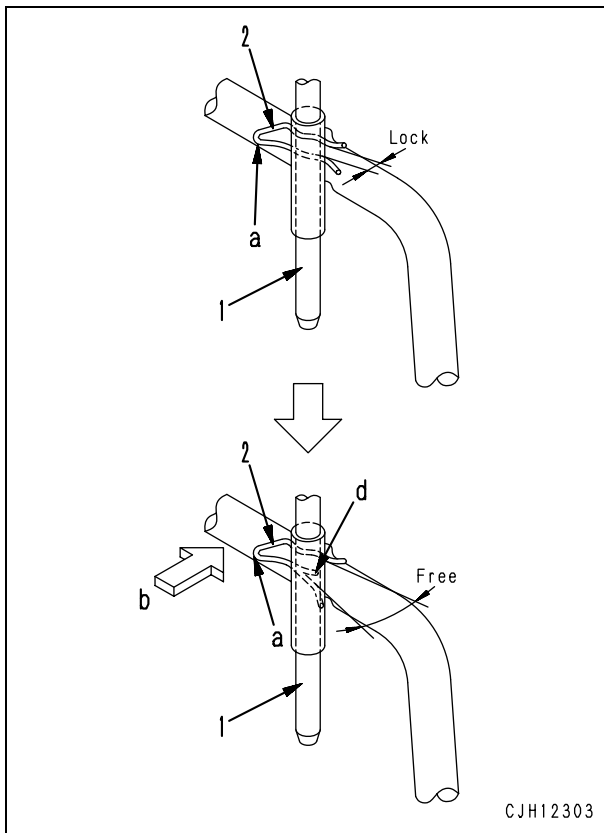
Disassembly

1. Headrest

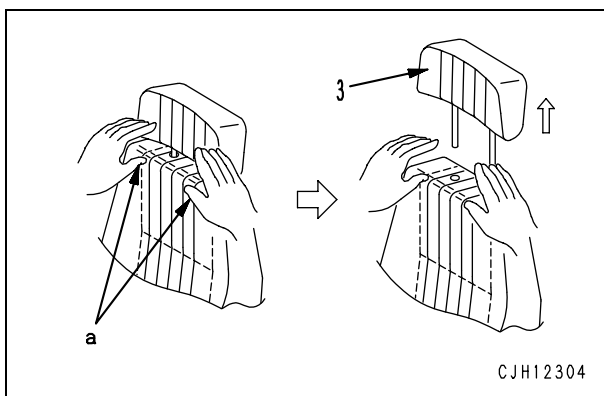
- 1) Referring to the figure, check the positions of the 2 clips (2) of headrest stay (1) on both sides.



- 2) Apply force (b) to part (a) of each clip (2) in the direction of the arrow to turn the clip. Release headrest stay (1) from part (d) of the clip and pull out up headrest (3).

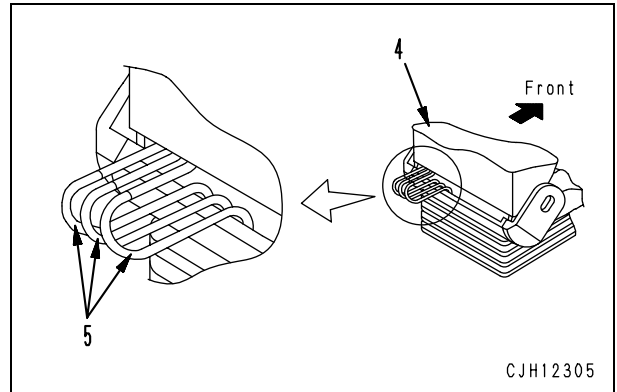


- ★ Pushing in both clips (2) simultaneously, remove headrest (3).

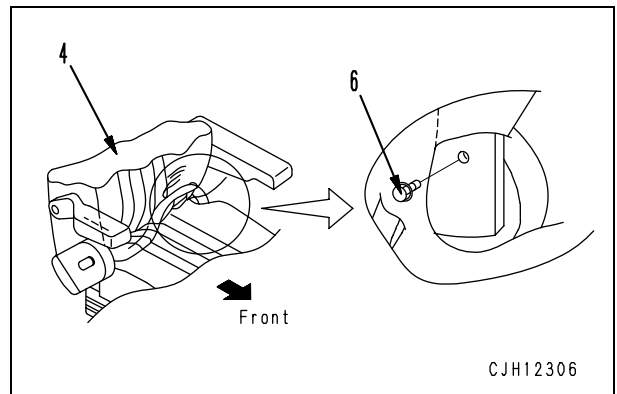


2. Seatback

- 1) Disconnect 3 air hoses (5) from the rear left of seatback (4).
 - ★ Before disconnecting the air hoses, check their types.



- 2) Remove seatback hinge mounting bolt (6) (M8 bolt).



- 3) Bring seatback (4) down forward.

