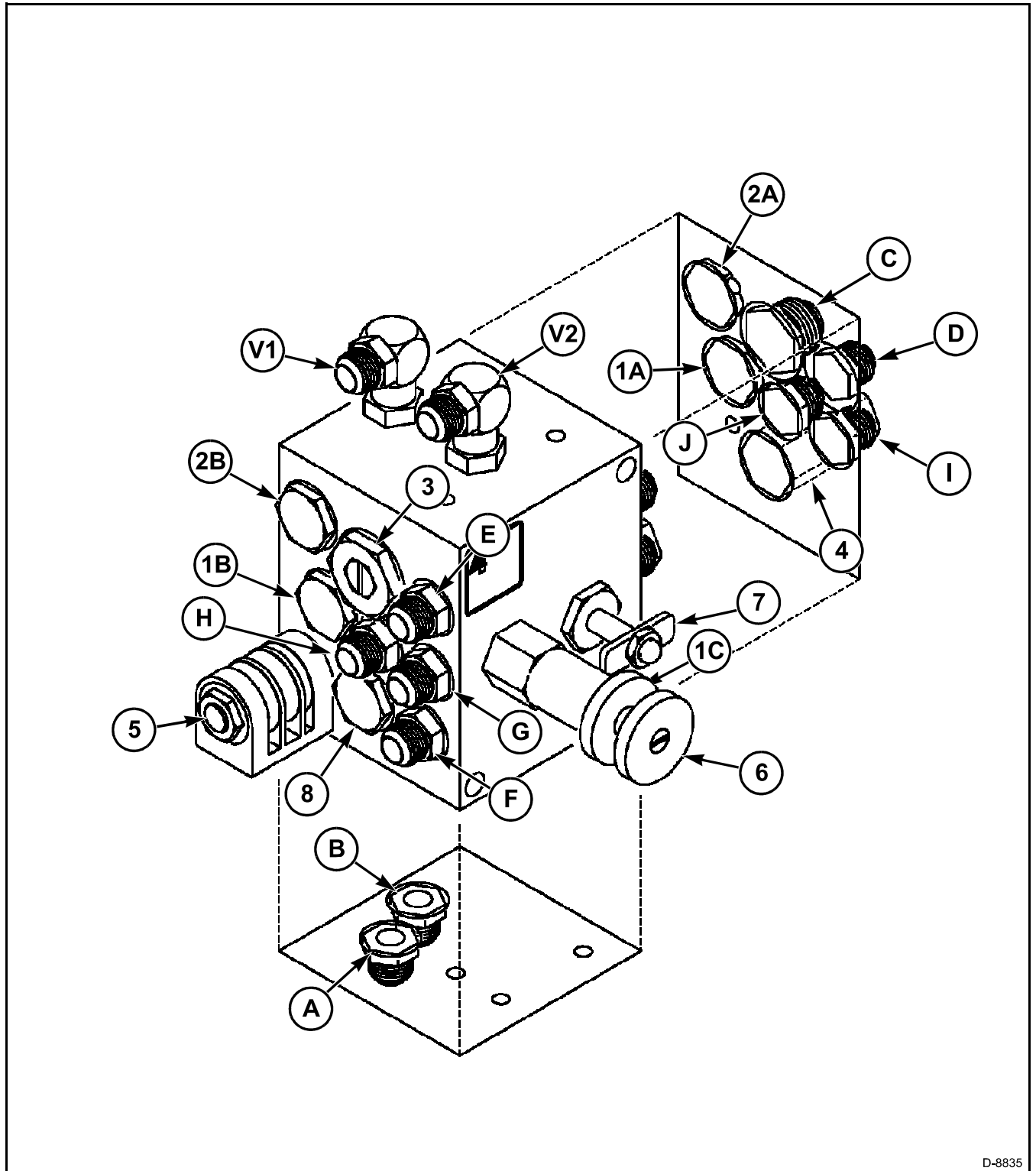


# Hydraulic Repair - Standard Balers

## MAIN CONTROL VALVE

### Description

The main control valve is located on the left-hand side of the baler behind the side shield. The main control valve controls bale density, belt tension, clutch, and tailgate and supplies oil to the kicker control valve.



D-8835

**FIG. 3**  
**FIG. 3:** Main Control Valve

## Hydraulic Repair - Standard Balers

Port	Description	Notes
A	To port A on the kicker control valve	This port is capped on balers without kickers
B	To port B on the kicker control valve	This port is capped on balers without kickers
C	To the tailgate lockout valve and base end of tailgate cylinders.	There is a 0.101 floating orifice plate in this port. The groove is facing away from the valve.
D	To the rod end of the right-hand tailgate cylinder	
E	To the rod end of the left-hand tailgate cylinder	
F	To main drive clutch	There is a 0.026 threaded orifice plug in the port.
G	To the base end of the right-hand bale density and belt tension cylinders.	
H	To the rod end of the right-hand bale density and belt tension cylinders.	
I	To the base end of the left-hand bale density and belt tension cylinders.	
J	To the rod end of the left-hand bale density and belt tension cylinders.	
V1	To the tractor remote valve	Pressure when opening the tailgate
V2	To the tractor remote valve	Pressure when closing the tailgate
1A	Check valve	Oil in the bottom, out the side of the check valve
1B	Check valve	Oil in the bottom, out the side of the check valve
1C	Belt tension check valve	Oil in the bottom, out the side of the check valve
2A	Reverse check valve	Oil in the side, out the bottom of the check valve
2B	Reverse check valve	Oil in the side, out the bottom of the check valve
3	Tailgate counterbalance valve	
4	Pressure reducing valve	
5	Clutch valve and coil	
6	Bale density relief valve	Also called Belt tension relief valve.
7	Pressure release valve	
8	Check valve	Oil in the bottom, out the side of the check valve. There is a 0.026 orifice plate in the port with the flat away from the valve.