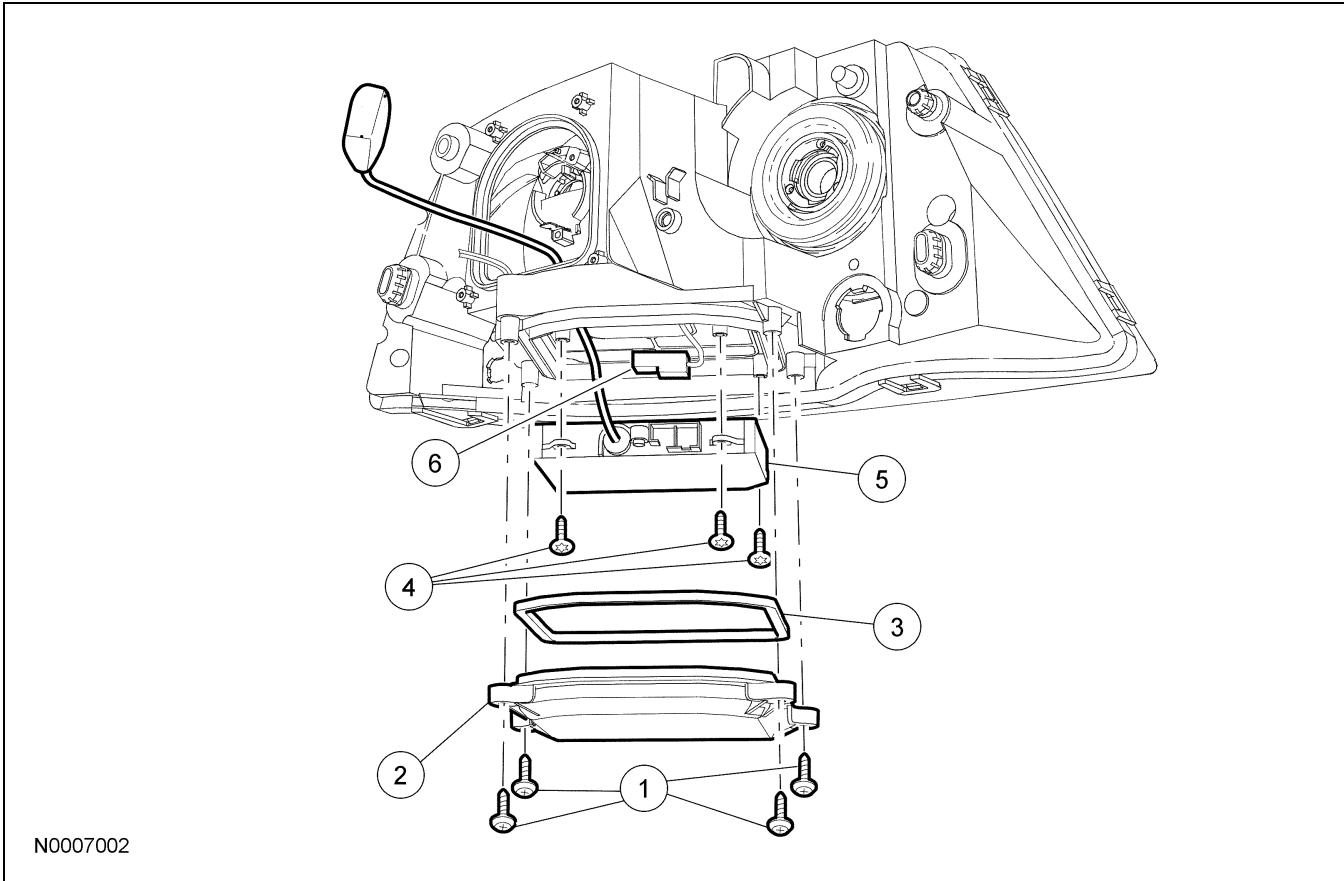


## REMOVAL AND INSTALLATION

### Ballast



Item	Part Number	Description
1	13378	Ballast access cover screws (4 required)
2	13180	Ballast access cover
3	13160	Ballast access cover seal
4	13378	Ballast screws (3 required)
5	13C170	Ballast
6	—	Electrical connectors

1. Remove the headlamp assembly. For additional information, refer to Headlamp Assembly in this section.
2. Remove the headlamp bulb. For additional information, refer to Headlamp Bulb in this section.
3. Remove the 4 ballast access cover screws.
4. Remove the ballast access cover.
5. Remove the ballast access cover seal.
6. Remove the 3 ballast screws.
7. Remove the ballast.
8. Disconnect the electrical connectors.
9. To install, reverse the removal procedure.