
2011 Crown Victoria, Grand Marquis Workshop Manual

Quick Links

[Introduction](#)

[Master DTC Chart](#)

[Specifications](#)

[Metrics](#)

[Torque Wrench Adapter Formulas](#)

[Acronyms](#)

[Alphabetical Index](#)

Table of Contents

1: General Information

[00: Service Information](#)

2: Chassis

[04: Suspension](#)

[05: Driveline](#)

[06: Brake System](#)

[11: Steering System](#)

3: Powertrain

[03: Engine](#)

[07: Automatic Transmission](#)

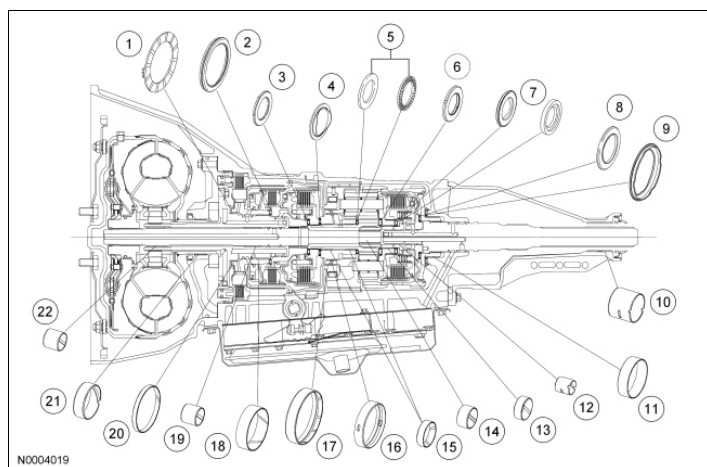
[09: Exhaust System](#)

[10: Fuel System](#)

4: Electrical

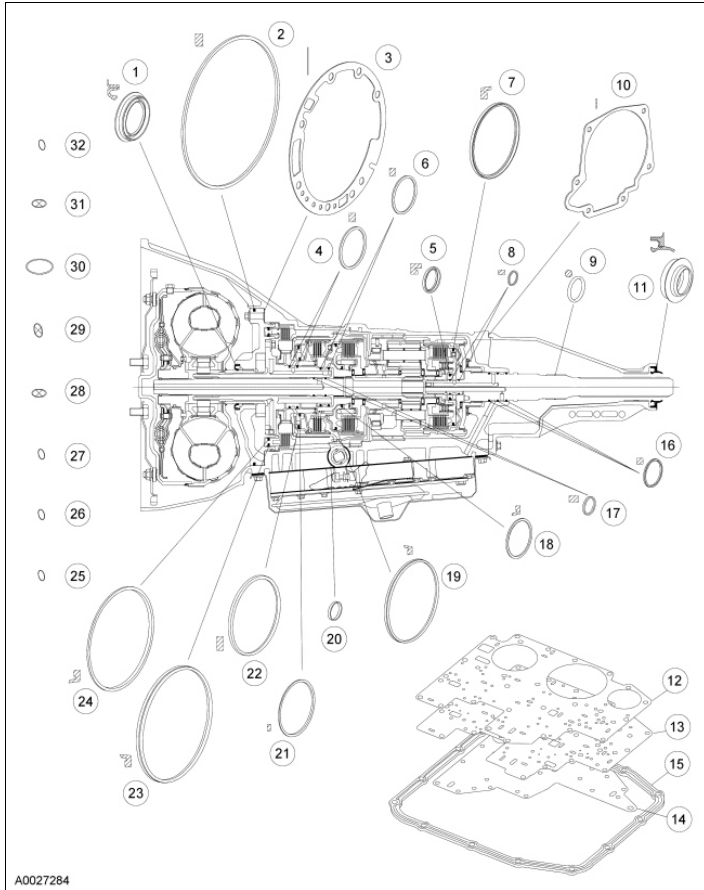
[12: Climate Control System](#)

[13: Instrumentation and Warning Systems](#)

Bushings, Bearing and Thrust Washer Locator

Item	Part Number	Description
1	7D014	Pump No. 1 thrust washer (select fit)
2	7A166	Forward clutch No. 2 bearing and race assembly
3	7F231	Forward clutch bearing and race assembly - front No. 3
4	7C096	Forward clutch hub bearing and race assembly No. 4
5	7D234, 7D235	Forward clutch sun gear bearing and race assembly No. 5 (2 piece)
6	7F241	No. 6 bearing and race (part of 7A398 planetary assembly)
7	7F243	Direct clutch inner bearing, race assembly No. 7 and direct clutch inner bearing support No. 7
8	7F240	Direct clutch outer bearing and race assembly No. 8
9	7F242	Outer bearing and race assembly - rear No. 9
10	-	Extension bushing (part of 7A039)
11	7025	Case bushing
12	7B233	Output shaft bushing
13	7B375	Planet carrier bushing - rear
14	7F209	Forward clutch sun gear bushing
15	7N193	Reverse clutch sun gear bushing
16	7B374	Carrier bushing - front
17	7A132	Planetary support bushing
18	7F218	Reverse clutch drum bushing - rear
19	7B261	Front pump support bushing
20	7F217	Reverse clutch drum bushing - front
21	7B258	Front pump bushing
22	7B261	Front pump support bushing

Seals, Rings and Gasket Locator

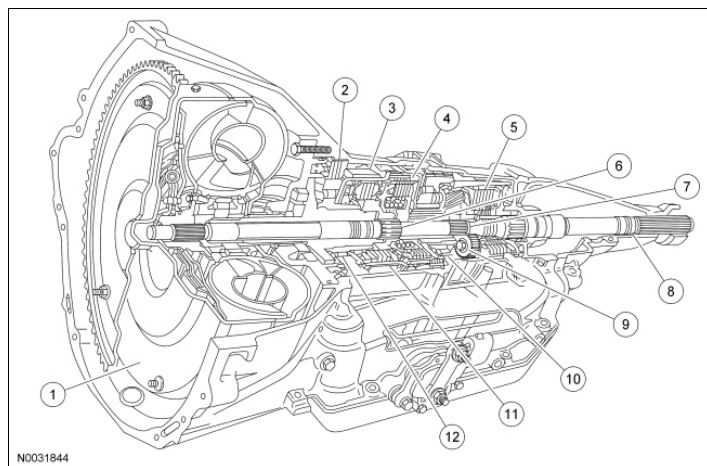


Item	Part Number	Description
1	7A248	Front pump seal assembly
2	7A248	Front pump seal
3	7A136	Front pump gasket
4	7D020	Reverse clutch cylinder seal (2 required)
5	7C099	Direct clutch piston inner seal
6	7D019	Forward clutch cylinder
7	7A548	Direct clutch piston outer seal
8	7F274	Output shaft to direct clutch cylinder seal (2 required)
9	87054-S94	O-ring seal (piloted) (model dependent)
10	7086	Extension gasket
11	7052	Extension housing seal assembly
12	7C155	Control valve body upper gasket
13	7D100	Valve body separator plate lower gasket
14	7H173	Valve body cover plate gasket
15	7A191	Transmission pan-to-case gasket
16	7F273	Output shaft-to-case seal (3 required)

17	7B497	Input shaft seal (2 required)
18	7C099	Forward clutch piston inner seal
19	7A548	Forward clutch piston outer seal
20	7B498	Manual control lever seal assembly
21	7D403	Reverse clutch piston outer seal
22	7D404	Reverse clutch piston inner seal
23	7F224	Intermediate clutch piston outer seal
24	7F225	Intermediate clutch piston inner seal
25	391308-S	Fill tube level indicator seal
26	7Z484	Torque Converter Clutch (TCC) solenoid seal (large)
27	7Z136	TCC solenoid seal (small)
28	7Z484	Shift solenoid seal (2 required)
29	N811757-S100	Output Shaft Speed (OSS) sensor seal
30	7Z276	Bulkhead seal
31	N805862-S	Pressure control solenoid seal (large)
32	391131	Pressure control solenoid seal (small)

Main Components and Functions

Transmission Main Components - Sectional View



Item	Part Number	Description
1	7902	Torque converter
2	7B164	Intermediate clutch (friction)
3	7B164	Reverse clutch (friction)
4	7B164	Forward clutch (friction)
5	7B164	Direct clutch (friction)
6	7F207	Forward clutch cylinder and shaft
7	7F351	Shaft - intermediate stub
8	7060	Output shaft
9	7A089	Planetary One-Way Clutch (OWC)
10	7D095	Reverse clutch band
11	7F196	Overdrive (O/D) band
12	7A089	Intermediate OWC