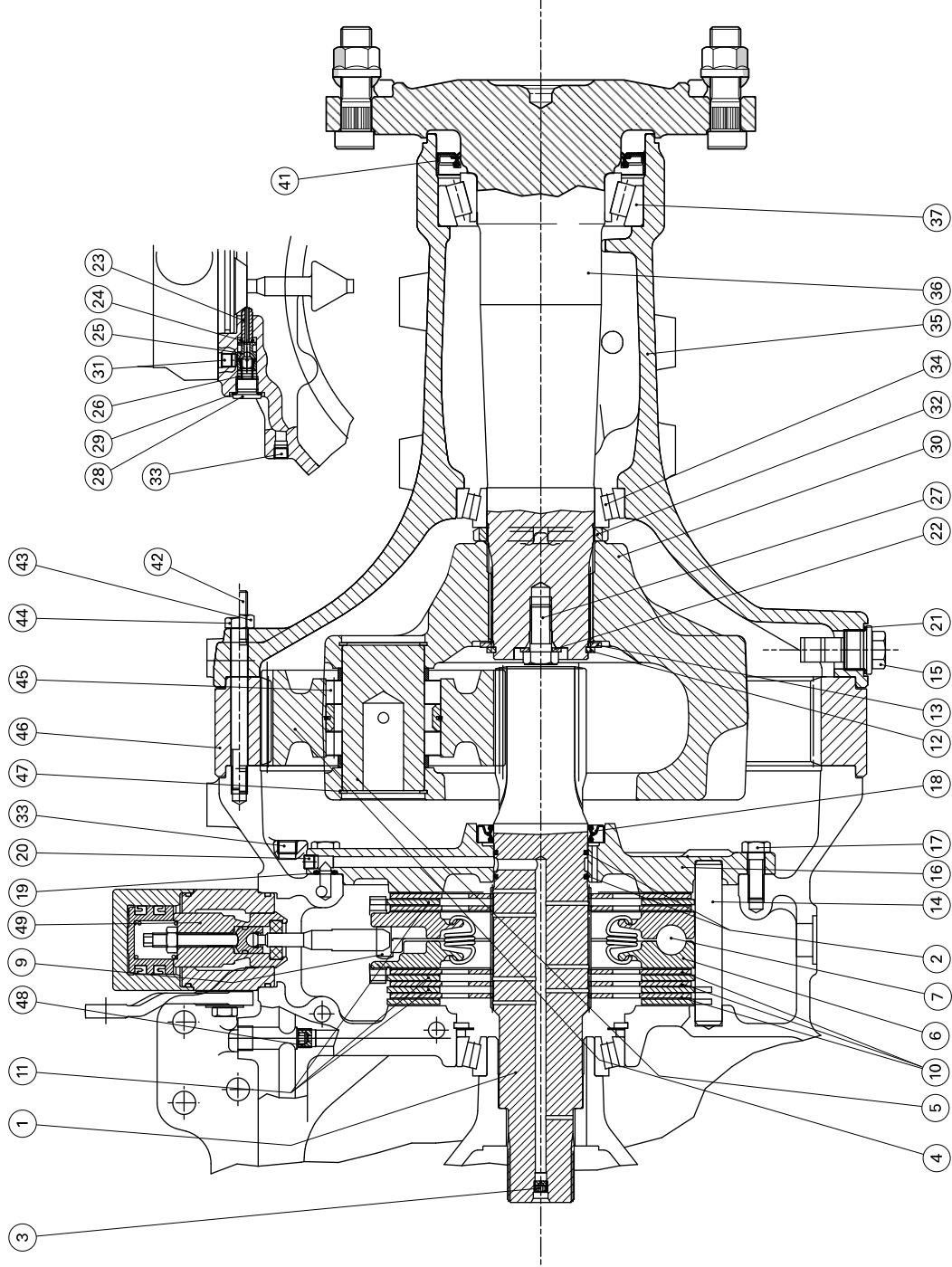


Cross-section of a rear drive unit



MA-06-04000A

Fig. 1

**Final drive units**

---

**06B01.6**