

4.4 Attachment points: Model MT475B

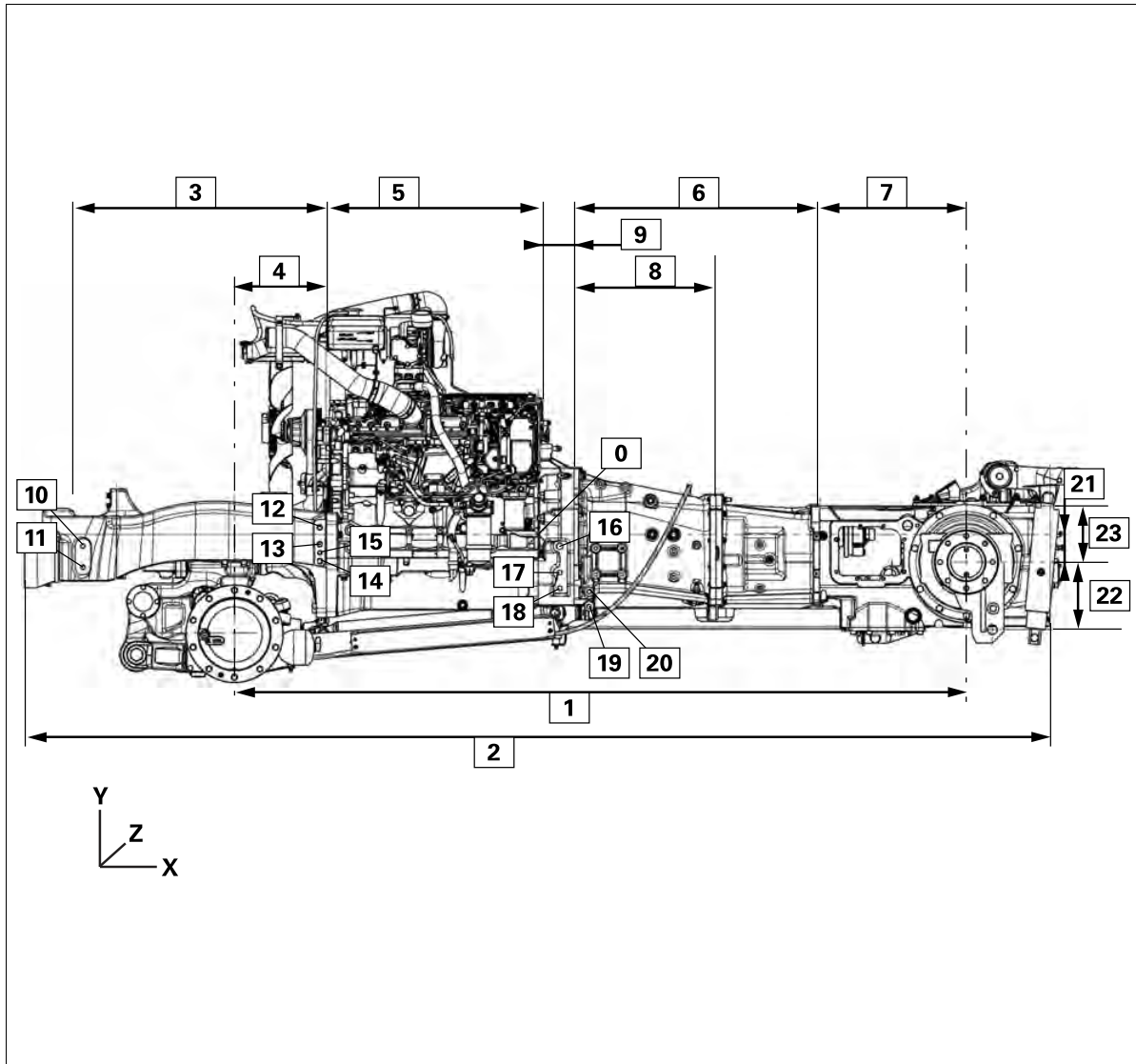


Fig. 4.

1003731

**NOTE:** Values x, y and z represent reference point 0 of the tractor.

Reference		X	Y	Z
(1)	2875 mm (113.3 in)			
(2)	4026 mm (158.6 in)			
(3)	810 mm (31.9 in)			
(4)	356 mm (14.0 in)			
(5)	922 mm (36.3 in)			
(6)	949 mm (37.4 in)			
(7)	567 mm (22.3 in)			
(8)	549 mm (21.6 in)			
(9)	81 mm (3.2 in)			
(10)	M20	-1862 mm (-73.4 in)	±315 mm (12.4 in)	-45 mm (-1.8 in)
(11)	M20	-1862 mm (-73.4 in)	±315 mm (12.4 in)	-125 mm (-4.9 in)

Reference		X	Y	Z
(12)	M20 x 45	-947 mm (-37.3 in)	±280 mm (11.0 in)	27,5 mm (1.1 in)
(13)	M20 x 45	-947 mm (-37.3 in)	±280 mm (11.0 in)	-37,5 mm (-1.5 in)
(14)	M20 x 45	-947 mm (-37.3 in)	±280 mm (11.0 in)	-102,5 mm (-4.0 in)
(15)	Ø15x13	-947 mm (-37.3 in)	±280 mm (11.0 in)	-70 mm (-2.8 in)
(16)	M20 x 40	51 mm (2.0 in)	±270 mm (10.6 in)	35 mm (1.8 in)
(17)	M20 x 40	51 mm (2.0 in)	±270 mm (10.6 in)	-35 mm (-1.4 in)
(18)	M20 x 42	27 mm (1.1 in)	±270 mm (10.6 in)	-148.5 mm (-58.5 in)
(19)	M20 x 40	140 mm (5.5 in)	-138 mm (-5.4 in)	-277 mm (-10.9 in)
(20)	M20 x 40	140 mm (5.5 in)	-138 mm (-5.4 in)	-220 mm (-8.7 in)
(21)	106 mm (4.2 in)			
(22)	249 mm (9.8 in)			
(23)	216 mm (8.5 in)			