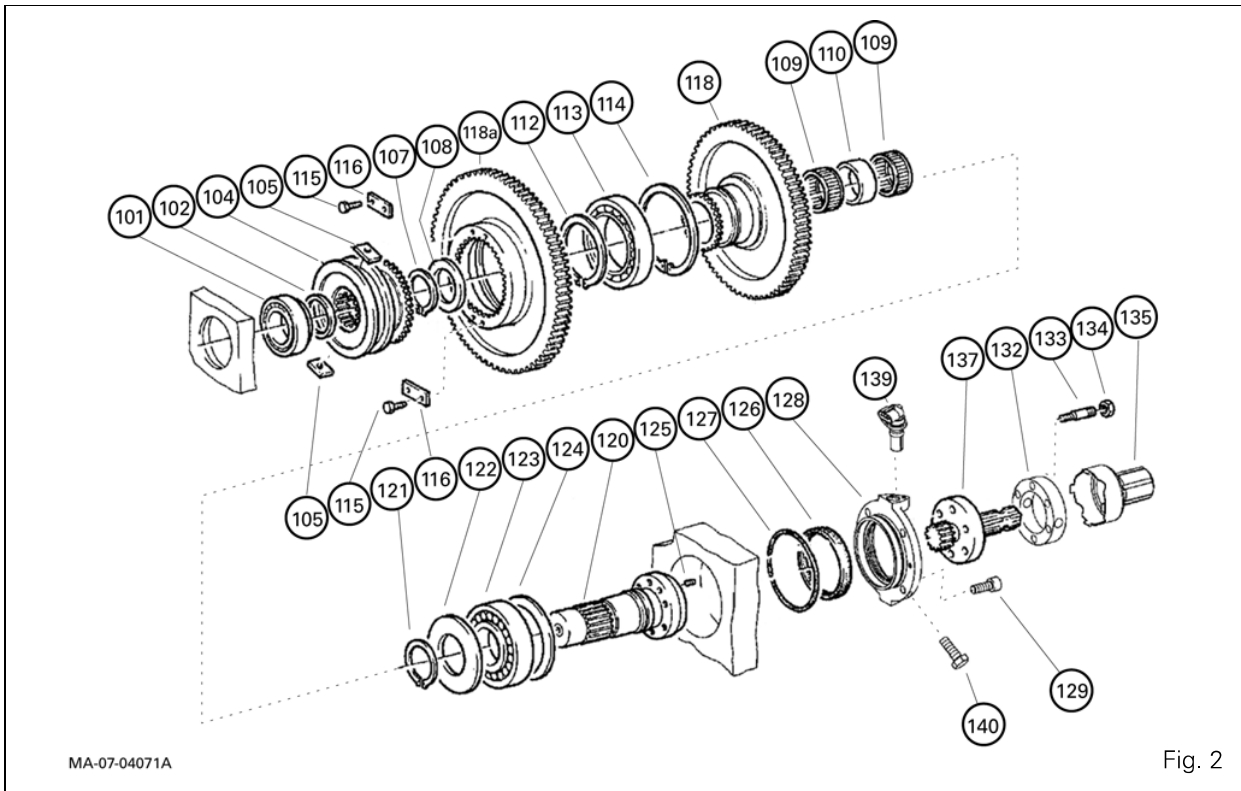


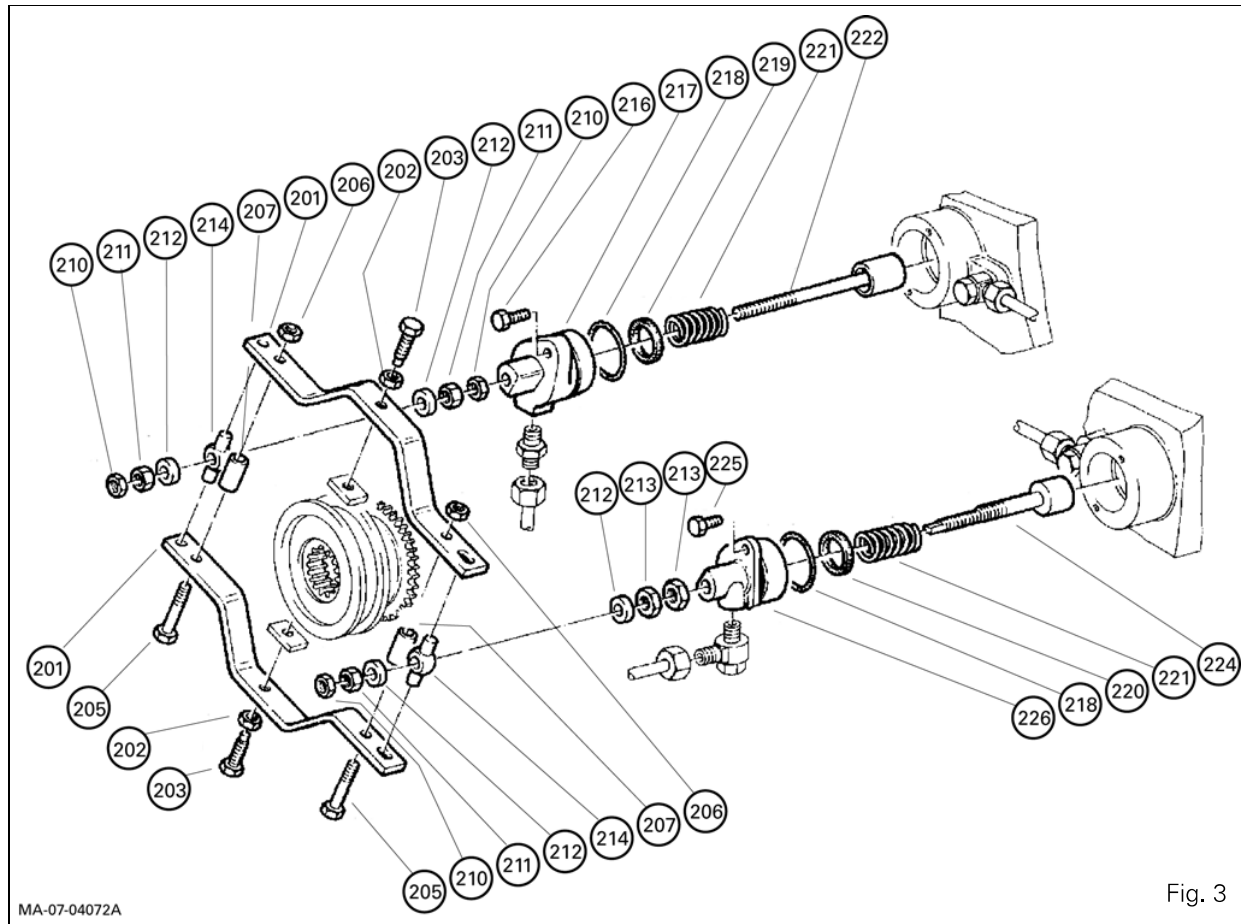
Rear PTO

Rear PTO drive - exploded view



Ref.	Description	Ref.	Description
101	Taper roller bearing	121	Circlip
102	Shim	122	Washer
104	Clutch body	123	Taper roller bearing
105	Roller	124	Shim
107	Circlip	125	Grub screw
108	Washer	126	Spi seal
109	Needle bearing cage	127	O'ring
110	Spacer	128	Bearing cover
112	Circlip	129	Cylindrical screw
113	Taper roller bearing	132	Spacer
114	Circlip	133	Threaded stud M10 x 50 - 10.9
115	Allen screw	134	Nut M10-10
116	Stop	135	PTO guard
118	Pinion (1000 rpm)	137	End-fitting
118A	Pinion (540 or 750 rpm)	139	Sensor
120	Shaft	140	Allen screw

Rear PTO control - exploded view



MA-07-04072A

Fig. 3

Ref.	Description	Ref.	Description
201	Stirrup	216	Allen screw
202	Hexagonal nut	217	Rams
203	Stud	218	O'ring
205	Allen screw	219	Compact seal
206	Hexagonal nut	220	Compact seal
207	Spacer pipe	221	Spring
210	Hexagonal nut	222	Piston
211	Hexagonal nut	224	Piston
212	Washer	225	Allen screw
213	Hexagonal nut	226	Rams
214	Roller	226	Rams