

A . General

PTO clutch - exploded view

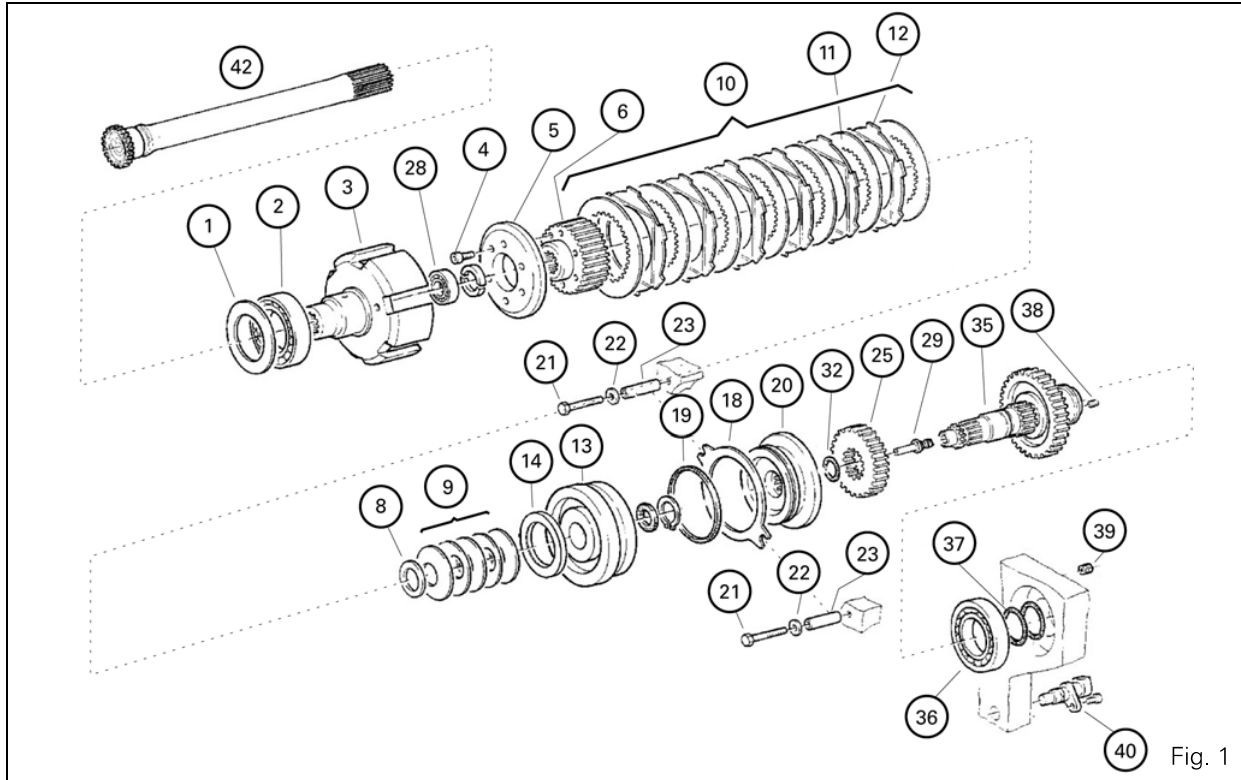
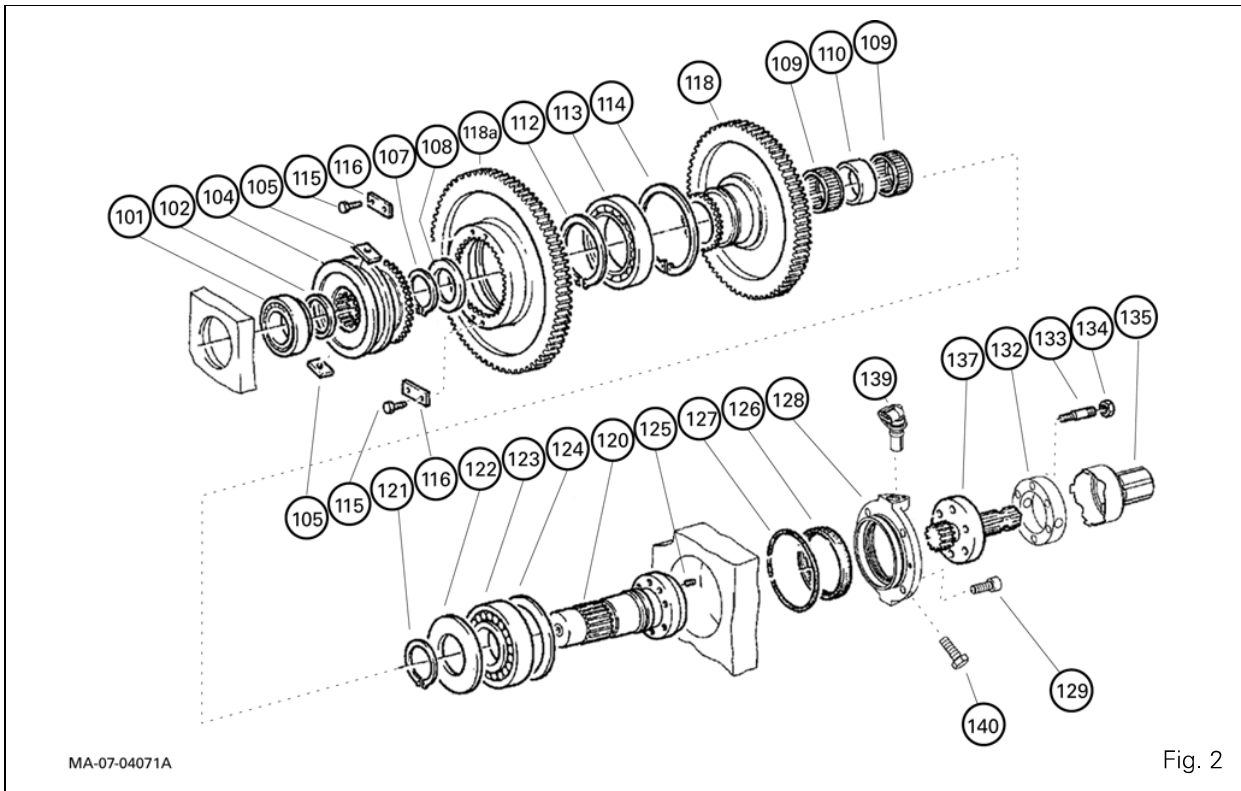


Fig. 1

Ref.	Description	Ref.	Description
1	Shim	21	Allen screw
2	Taper roller bearings	22	Grower washer
3	Clutch cover	23	Bush
4	Cylindrical screw	25	Pinion
5	Shim	28	Taper roller bearing
6	Internal blade holder	29	Nozzle
8	Shim	30	Locking half-rings
9	Spring washer	31	Circlip
10	Set of blades (11-12)	32	O'ring
11	Disc	35	Shaft
12	Intermediate plate	36	Taper roller bearing
13	Piston	37	Ring with rectangular section
14	Ring	38	Grub screw
16	Lip seal	39	Nozzle
18	Plate	40	Sensor
19	Lip seal	42	Shaft
20	Brake disc		

Rear PTO

Rear PTO drive - exploded view



Ref.	Description	Ref.	Description
101	Taper roller bearing	121	Circlip
102	Shim	122	Washer
104	Clutch body	123	Taper roller bearing
105	Roller	124	Shim
107	Circlip	125	Grub screw
108	Washer	126	Spi seal
109	Needle bearing cage	127	O'ring
110	Spacer	128	Bearing cover
112	Circlip	129	Cylindrical screw
113	Taper roller bearing	132	Spacer
114	Circlip	133	Threaded stud M10 x 50 - 10.9
115	Allen screw	134	Nut M10-10
116	Stop	135	PTO guard
118	Pinion (1000 rpm)	137	End-fitting
118A	Pinion (540 or 750 rpm)	139	Sensor
120	Shaft	140	Allen screw