

I9236

FIG. 7

Operating Diagram of HST

1. Strainer
2. Pump
3. Input Shaft
4. PTO Shaft
5. Output Shaft
6. Relief Valve
7. Hi Pressure Chack Valve
8. Charge Pressure Valve
9. Filter

HYDRO PEDAL LINKAGE

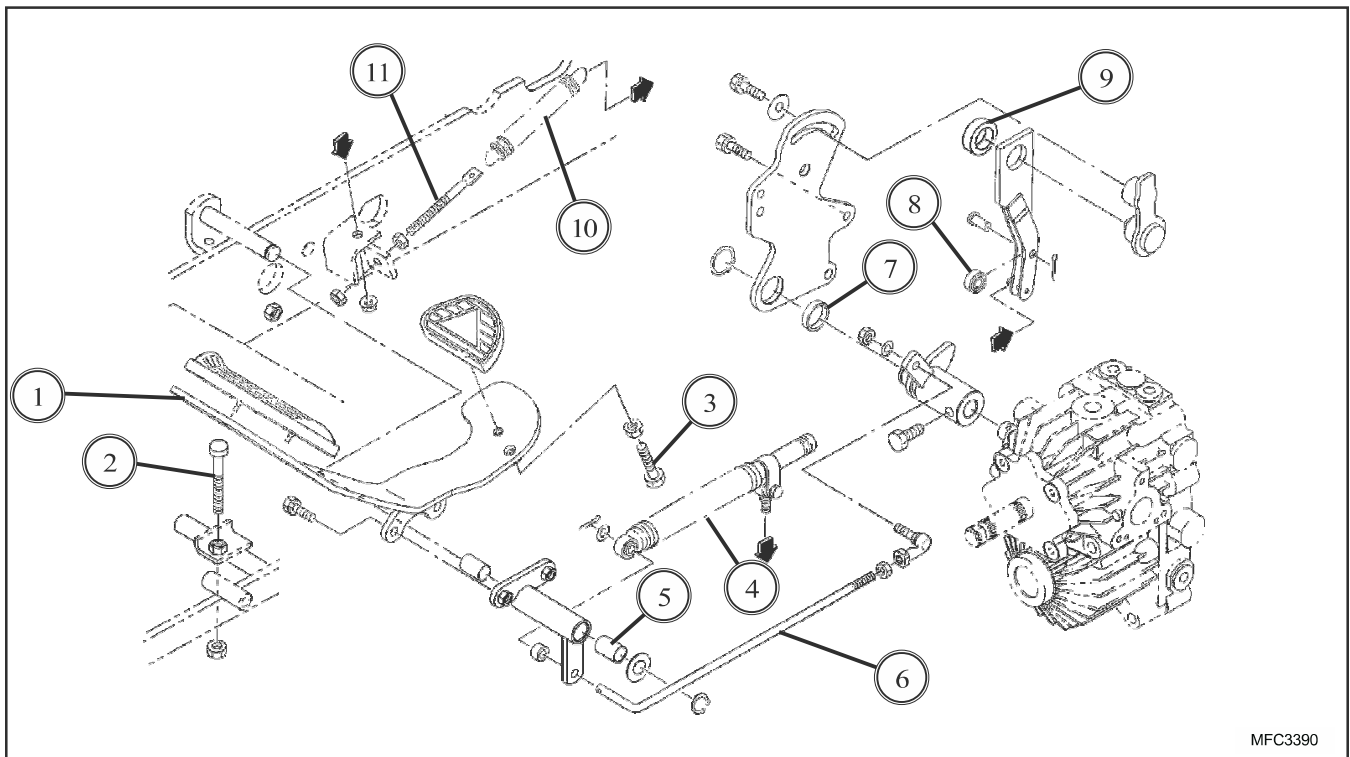


FIG. 8

FIG. 8: HST linkage assembly.

- | | |
|----------------------|------------|
| 1. Pedal | 7. Bushing |
| 2. Forward Stop Bolt | 8. Bearing |
| 3. Reverse Stop Bolt | 9. Collar |
| 4. Dampner | 10. Spring |
| 5. Bushing | 11. Rod |
| 6. Rod | |