

General Hydraulic Information

HYDRAULIC OIL FILTERS

Change the hydraulic oil filters after the first 50 hours of operation and then every 250 hours of operation.

Use only 10 micron filters.

Header Drive Charge Filter - 9760 and 9770

FIG. 24: The oil filter (1) is located on the header drive pump.

NOTE: Because the filter is below the reservoir, a small amount of oil will be lost when the filter is removed. Have all needed components close before removing the filter.

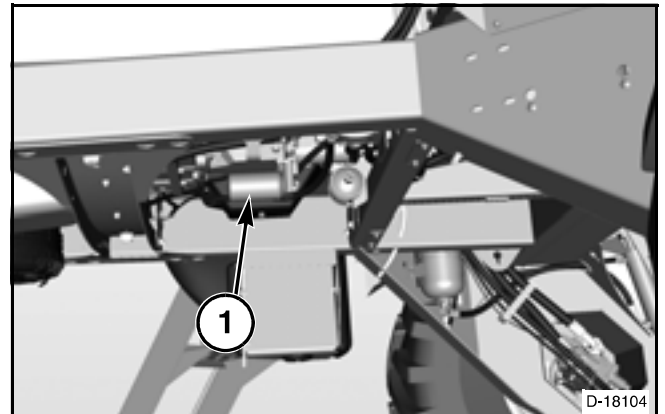


FIG. 24

FIG. 25: Put a suitable container under the filter (1).

Hold the filter and remove the plug (2) with a 17 mm wrench. Remove the filter.

Remove and discard the seal (3) and O-ring (4) from the plug.

Inspect the plug and sealing surfaces in the filter bracket (5). Replace any damaged components.

Install a new seal and O-ring onto the plug.

Lubricate the O-ring of the new filter, seal, and O-ring with clean lubricating oil.

Install the plug into the filter bracket.

Hold the plug and install the new filter turning clockwise until the gasket contacts the filter bracket. Tighten the filter an additional 1/2 turn.

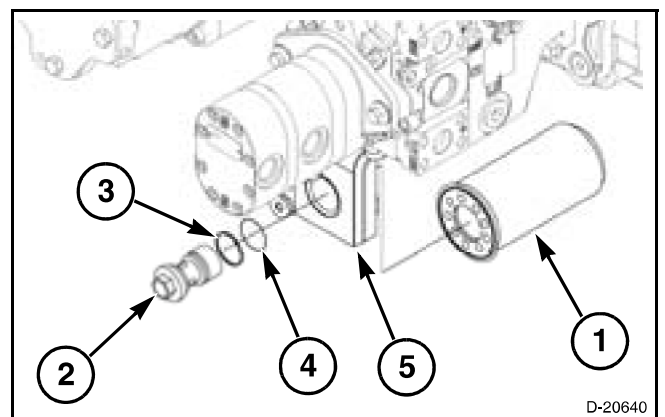


FIG. 25

Header Drive Charge Filter - 9735 and 9740

FIG. 26: The oil filter (1) is located on the frame near the header drive pump.

Put a suitable container under the filter. Remove the oil filter from the filter head. Remove all of the old O-ring if the O-ring or any part of the O-ring remains on the filter head.

Lubricate the O-ring of the new filter with clean lubricating oil. Install the new filter on the filter head turning clockwise until the gasket contacts the filter head. Tighten the filter an additional 1/2 turn.

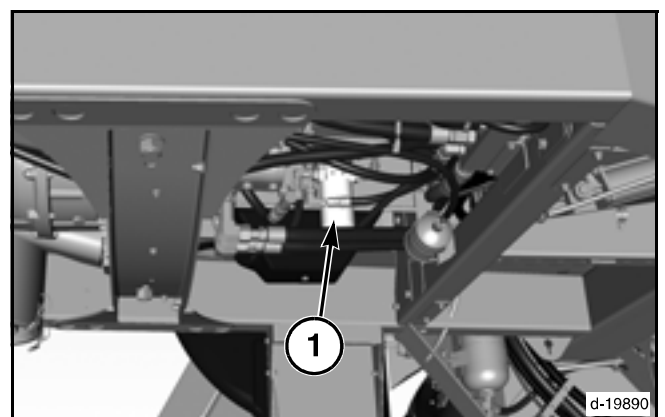


FIG. 26

Ground Drive Charge Filter

FIG. 27: The oil filter (1) is located on the fan control valve block.

Put a suitable container under the filter. Remove the oil filter from the filter head. Remove all of the old O-ring if the O-ring or any part of the O-ring remains on the filter head.

Lubricate the O-ring of the new filter with clean lubricating oil. Install the new filter on the filter head turning clockwise until the gasket contacts the filter head. Tighten the filter an additional 1/2 turn.

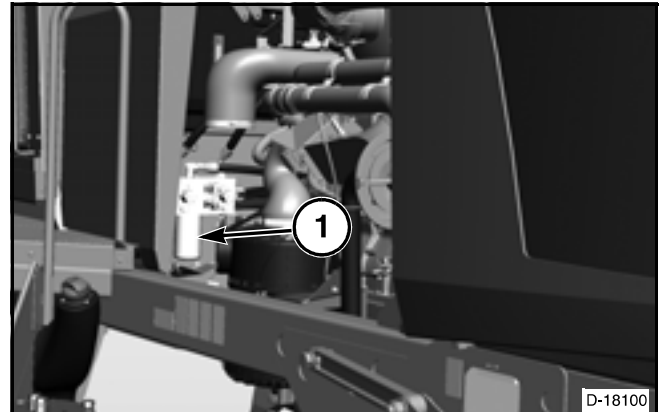


FIG. 27

Return Filter

FIG. 28: The return oil filter (1) is located on the oil reservoir.

Remove the cap from the assembly. Remove the filter from the assembly. Install a new filter. Install and tighten the cap.

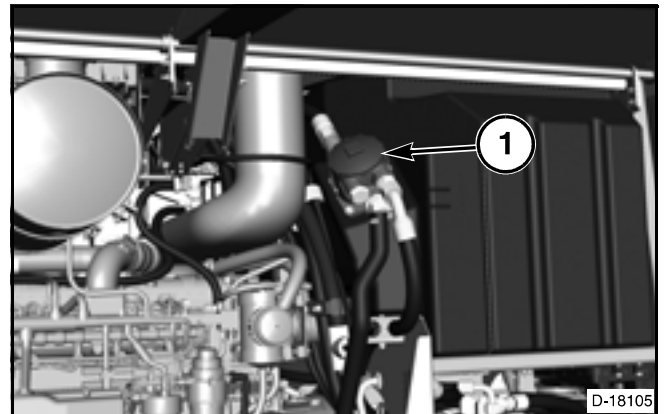


FIG. 28

CHECKING THE HYDRAULIC OIL

FIG. 29: Check the level of the hydraulic fluid every day. The level of the hydraulic fluid must be between the full mark (1) and the add mark (2) in the sight glass (3) on the hydraulic reservoir.

NOTE: There is also a sight glass on the left-hand side.

Do not fill the hydraulic reservoir above the full level. Fill oil reservoir with Permatran® 821 XL (or equivalent) or 15W-40 engine oil. Using any other fluid or type of oil will damage the pumps and motors and invalidate the machine warranty.

The filler neck and cap is located on top of the hydraulic oil reservoir.

IMPORTANT: Always completely clean the filler neck and cap before removing the cap to keep contamination from entering the system.

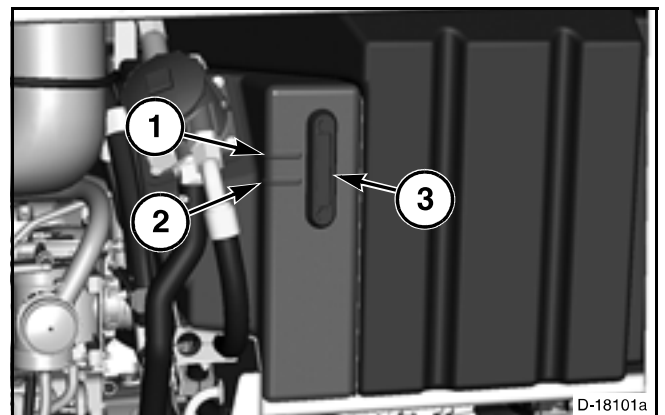


FIG. 29