

Assembly

FIG. 21: Install bearings (1,10) onto the shaft (2). Apply medium strength retaining compound to the outer race of the outer bearing (10) only before assembling.

Install the wave springs (3) into the aspirator fan support (4). Orientate the wave springs so that the split is on opposite ends of each other.

Install shaft and bearings into the aspirator fan support and compress the wave springs. Install the retaining ring (5).

Install spacer (6) onto the shaft.

Apply medium strength retaining compound to the aspirator fan (7) and sheave (8). Install the aspirator fan and sheave.

NOTE: The aspirator fan has a left-hand rotation and is marked with LH.

Apply 2 to 3 drops of medium strength threadlocker to the ends of the shaft. Install nuts (9) and tighten to 52 Nm (39 lbf ft).

FIG. 22: Attach the aspirator housing (2) to the aspirator assembly (3).

Insert capscrew and nut (1).

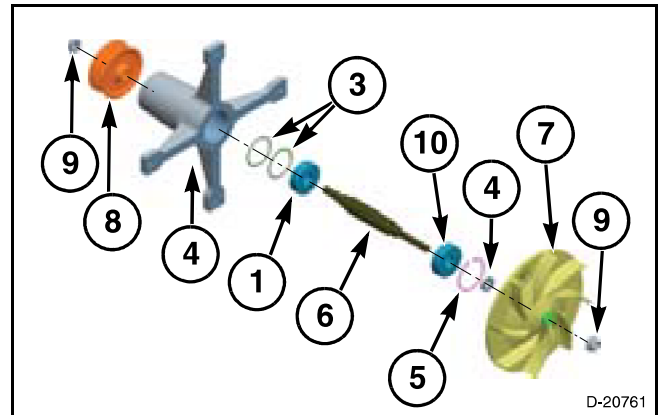


FIG. 21

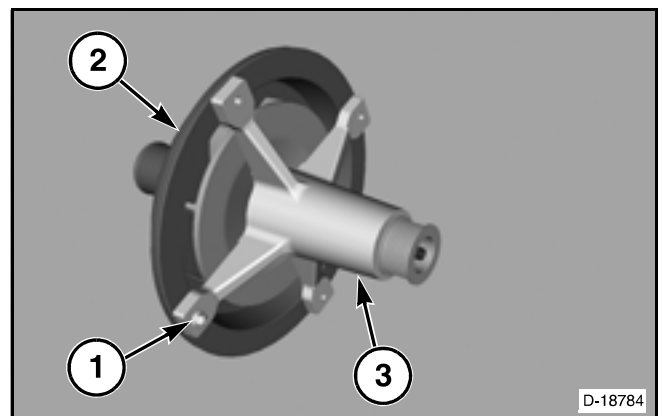


FIG. 22

Installation

FIG. 23: Install the aspirator pump (2) and install the two capscrews (1).

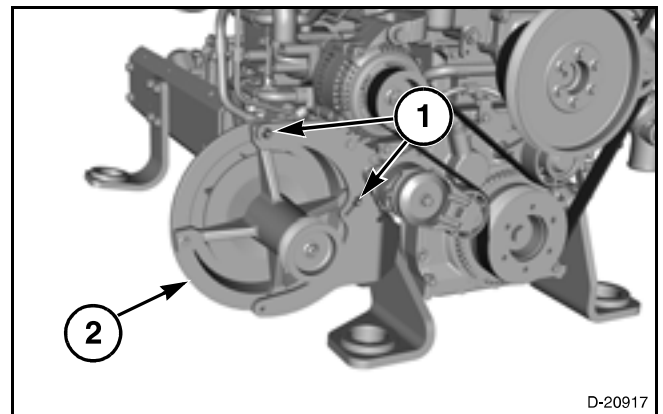


FIG. 23

Engine

FIG. 24: Install the hose (1) onto the aspirator pump and tighten the hose clamp.

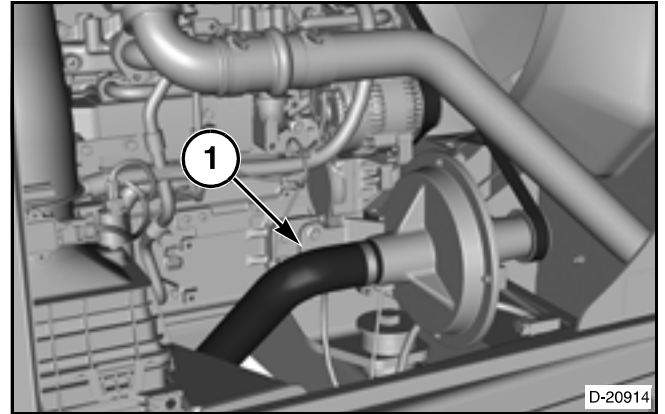


FIG. 24

FIG. 25: To install the aspirator belt (1), put the belt on the two pulleys. Rotate the bottom of the aspirator pump (2) away from the engine and install the lower mounting capscrew (3). Tighten the top and right-hand mounting capscrews (4).

IMPORTANT: Always replace the aspirator belt when removed. Do not install a used aspirator belt.

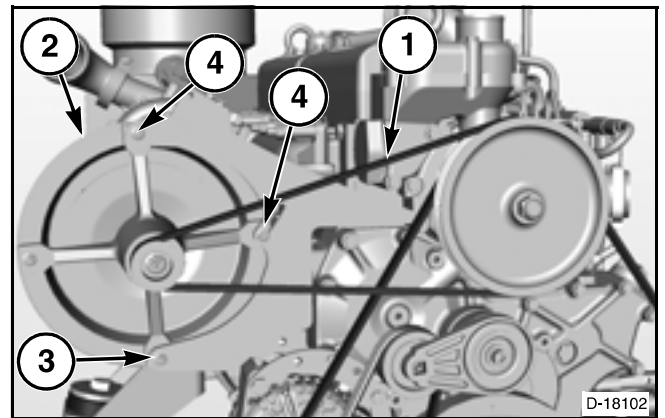


FIG. 25

FIG. 26: To install the aspirator drive belt (1), put the belt on the two sheaves.

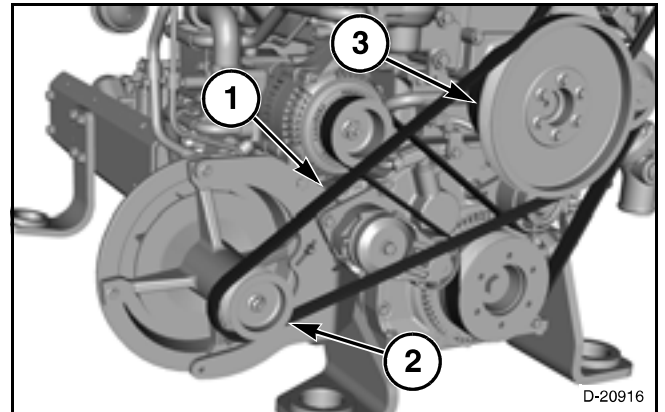


FIG. 26

FIG. 27: Rotate the bottom of the aspirator pump away from the engine and install the lower mounting bolt (1). Tighten the top and right-hand mounting bolts (2).

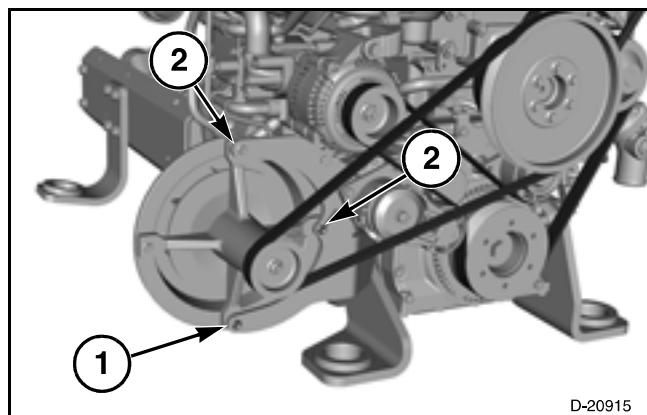


FIG. 27

Aspirator sheave

Removal

Remove the aspirator drive belt.

NOTE: Refer to the Aspirator Drive Belt Removal section of the manual.

FIG. 28: Remove the six capscrews (1). Remove the aspirator sheave (2). Replace as necessary.

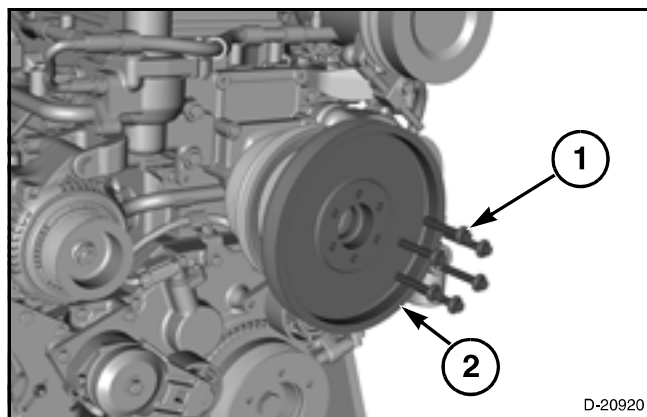


FIG. 28

Installation

FIG. 29: Install the aspirator sheave (2). Install the six capscrews (1) and tighten.

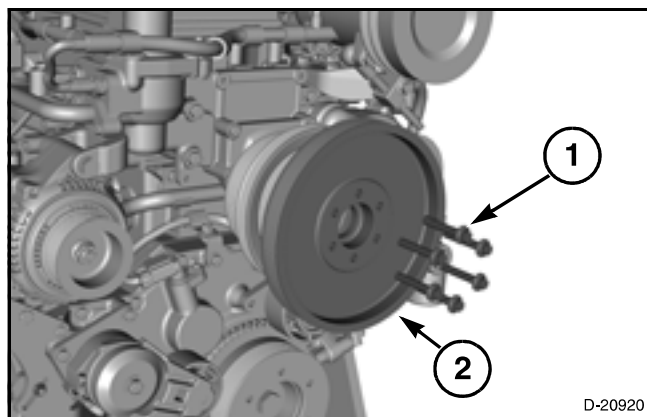


FIG. 29