

4.2.2 Power takeoff assembly construction

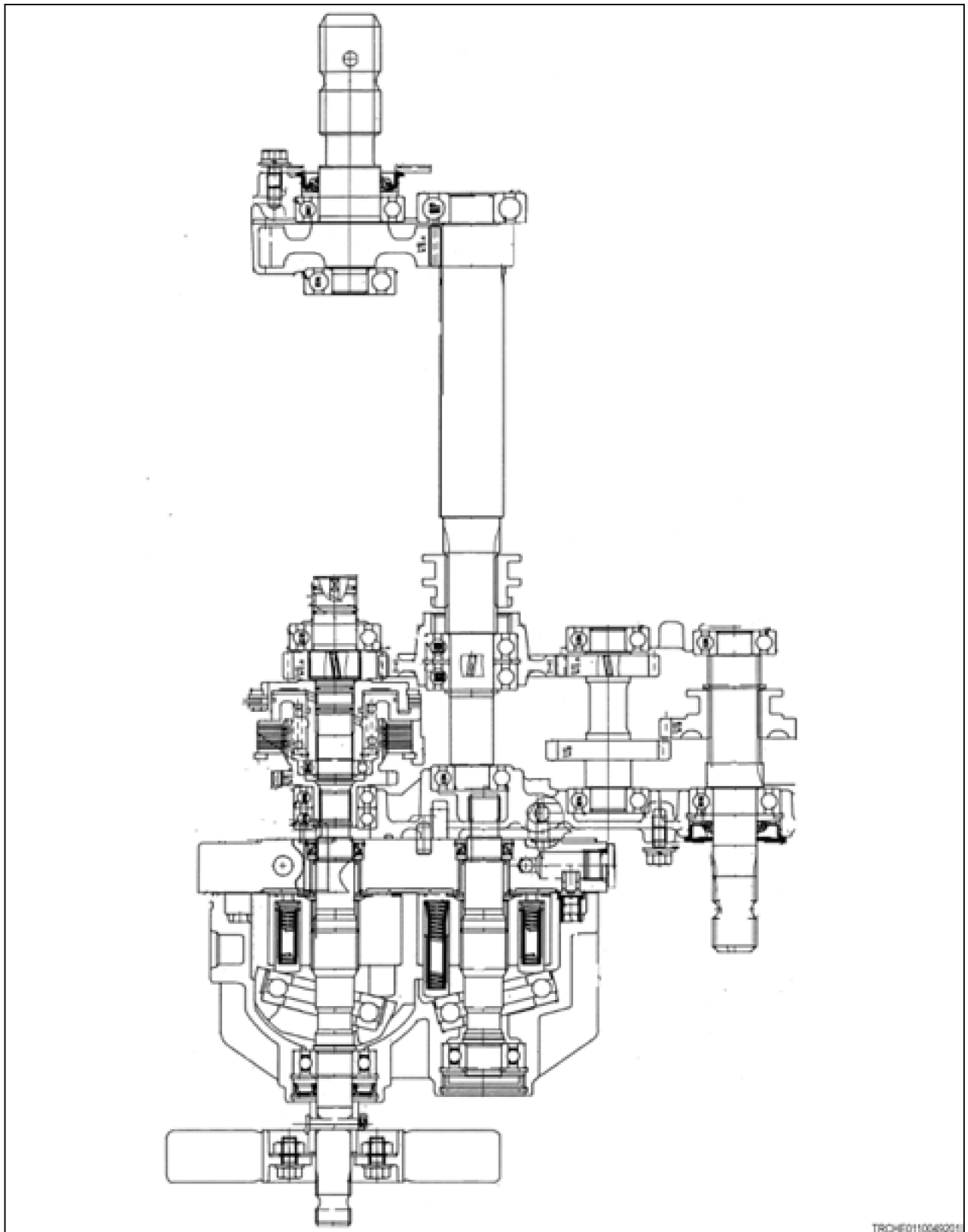


Fig. 55

4.2.3 Power takeoff gear train components

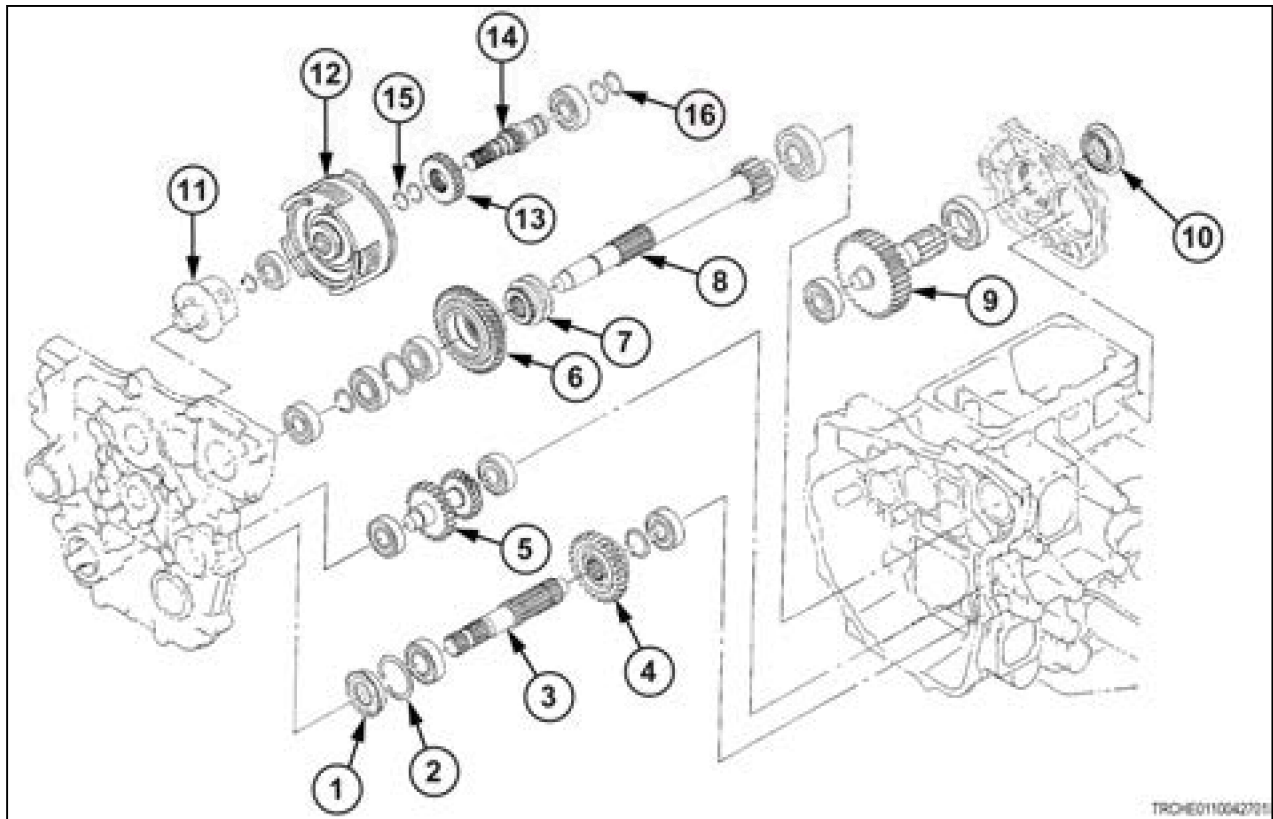


Fig. 56

- | | |
|-----------------------------------|---------------------|
| (1) Seal | (9) 540 PTO |
| (2) Snap ring | (10) Seal |
| (3) Mid power takeoff (PTO) shaft | (11) PTO drive gear |
| (4) Mid PTO gear and shift collar | (12) Clutch |
| (5) Idler | (13) Gear |
| (6) Rear PTO gear | (14) Clutch shaft |
| (7) Rear PTO shift collar | (15) Seal ring |
| (8) PTO shaft | (16) Seal ring |

4.2.4 Power takeoff relief valve

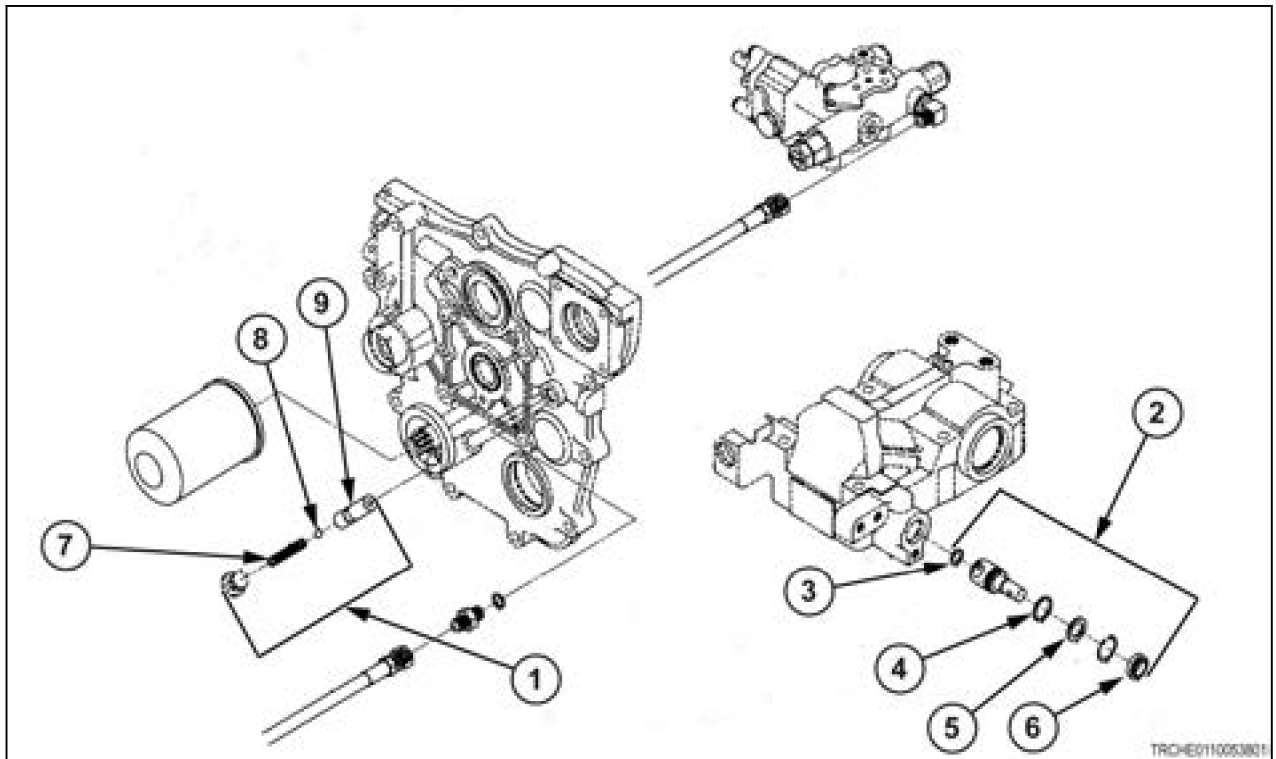


Fig. 57

- | | |
|-----------------------------------------|---------------|
| (1) Power takeoff (PTO) relief assembly | (6) Dust seal |
| (2) PTO rotary valve | (7) Spring |
| (3) O-ring | (8) Ball |
| (4) O-ring | (9) Housing |
| (5) Stopper plate | |