

Reference		X	Y	Z
11	M20			-125 mm (-4.93 in)
12	M20			27,5 mm (1.08 in)
13	M20			-37,5 mm (-1.48 in)
14				-70 mm (-2.76 in)
15	M20			-102,5 mm (-4.04 in)

SisuDiesel engine

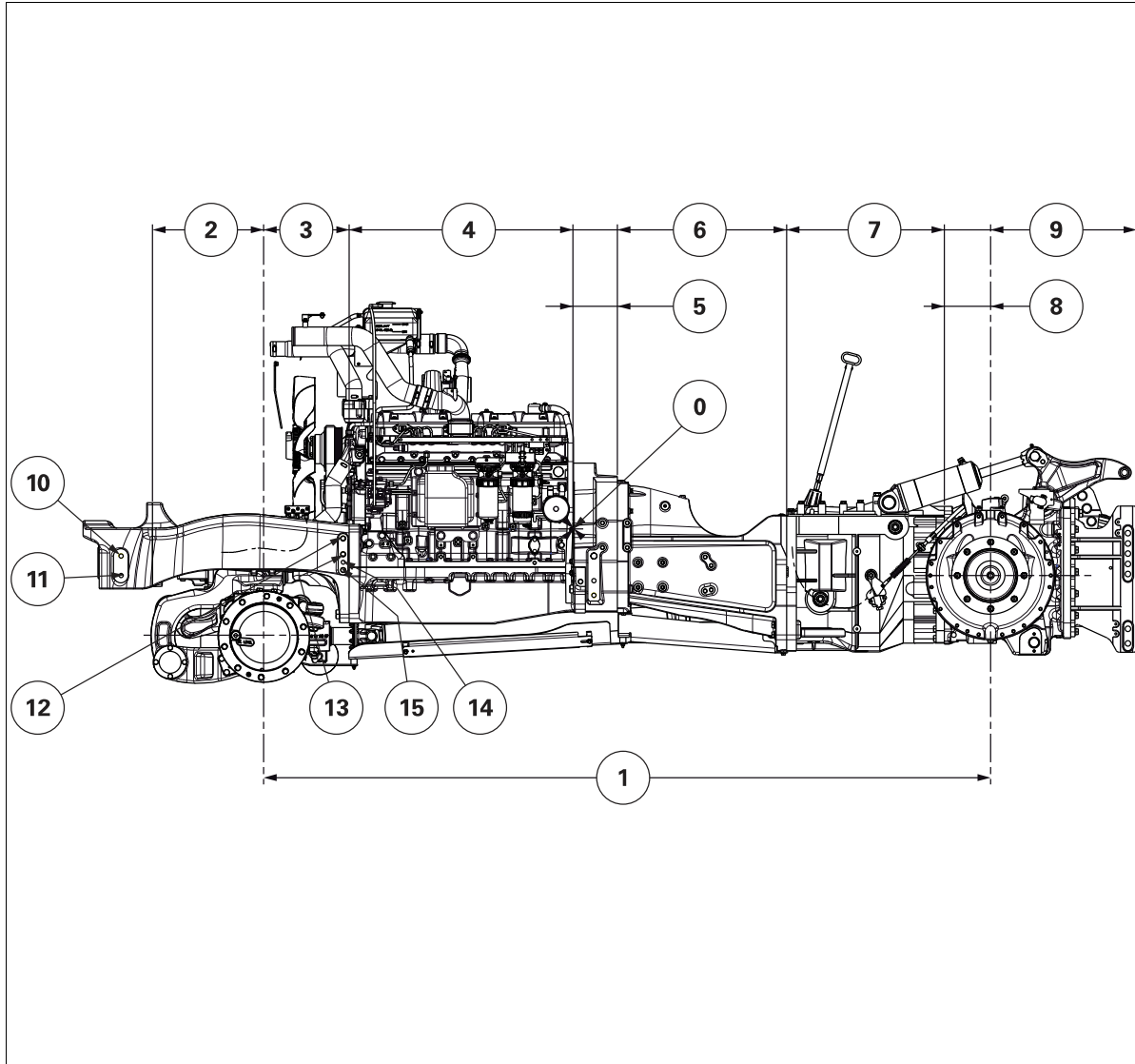


Fig. 5.

1016450

NOTE: Values x, y and z represent reference point 0 of the tractor.

Reference		X	Y	Z
(1-)	2993 mm (117.92 in)			
(2)	458 mm (18.05 in)			
(3)	352 mm (13.87 in)			
(4)	922 mm (36.33 in)			
(5)	183 mm (7.21 in)			
(6)	696 mm (27.42 in)			

Reference		X	Y	Z
(7)	650 mm (25.61 in)			
(8)	190 mm (7.49 in)			
(9)	602 mm (23.72 in)			
(10)	M20			-45 mm (-1.77 in)
(11)	M20			-125 mm (-4.93 in)
(12)	M20			27,5 mm (1.08 in)
(13)	M20			-37,5 mm (-1.48 in)
(14)				-70 mm (-2.76 in)
(15)	M20			-102,5 mm (-4.04 in)