

Hydraulic hammers CB Serie

Service Manual

603.67.221.00



HYDRAULIC HAMMERS SERVICE MANUAL

Table of contents

SECTIONS	REFERENCE N°
Hydraulic hammers CB32 - CB45 - CB65 - CB85 - CB120 - CB150	7-22011GB
Hydraulic hammers CB200 S - CB260 S - CB320 S - CB400 S - CB550 S - CB700 S.....	7-23861GB

HYDRAULIC HAMMERS
CB32 - CB45 - CB65 - CB85 - CB120 - CB150

TABLE OF CONTENTS

TECHNICAL SPECIFICATIONS	3
Overall dimensions	3
SPECIFICATIONS	9
TORQUE SETTINGS	10
TOOLS REQUIRED	10
SPECIAL TOOLS	11
REPLACING A HYDRAULIC HAMMER	12
HANDLING THE HYDRAULIC HAMMER	14
IHYDRAULIC BREAKER OVERALL DIMENSIONS	16
HAMMER HYDRAULIC PRESSURE DISCHARGE	17
LOCATION OF MAIN COMPONENTS	18
CB32 - CB45 - CB65 - CB85 - CB120 - CB150	18
Removing the chassis plates	19
Installing the chassis plates	20
Releasing pressure in the low pressure accumulator	21
LOW PRESSURE ACCUMULATOR	21
Releasing pressure from the high pressure accumulator	24
HIGH PRESSURE ACCUMULATOR	24
CHARGING THE ACCUMULATOR	27
Charging	27
PRESSURE REGULATING VALVE	29
Assembly	30
TIE-RODS	32
Removal	32
CONTROL VALVE COMPONENTS (CB32 - CB85)	35
Removal	35
CONTROL VALVE BODY COMPONENTS (CB45 - CB65 - CB120 - CB150)	38
Removal	38
CYLINDER	42
Removal	42
FRONT PART	45
Removal	45
CHANGING A TOOL	48
Removal	48
Installation	49

CHANGING THE TOOL BUSHING 50

 Removal 50

 Installation 50

WEAR LIMITS 51

 Tool bushings 51

 Tools 51

INSPECTION AND MEASUREMENT OF HYDRAULIC HAMMER CIRCUIT 52

 Measurement/inspection points 52

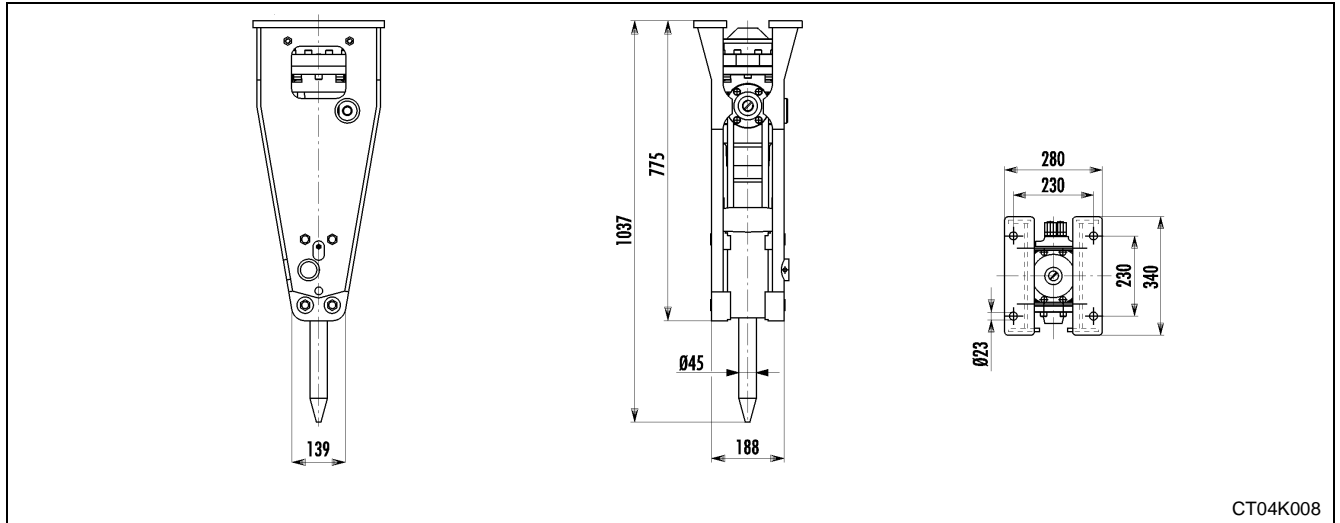
MEASURING THE HYDRAULIC HAMMER OPERATING PRESSURE 54

OPERATING PRINCIPLES 56

TROUBLESHOOTING 59

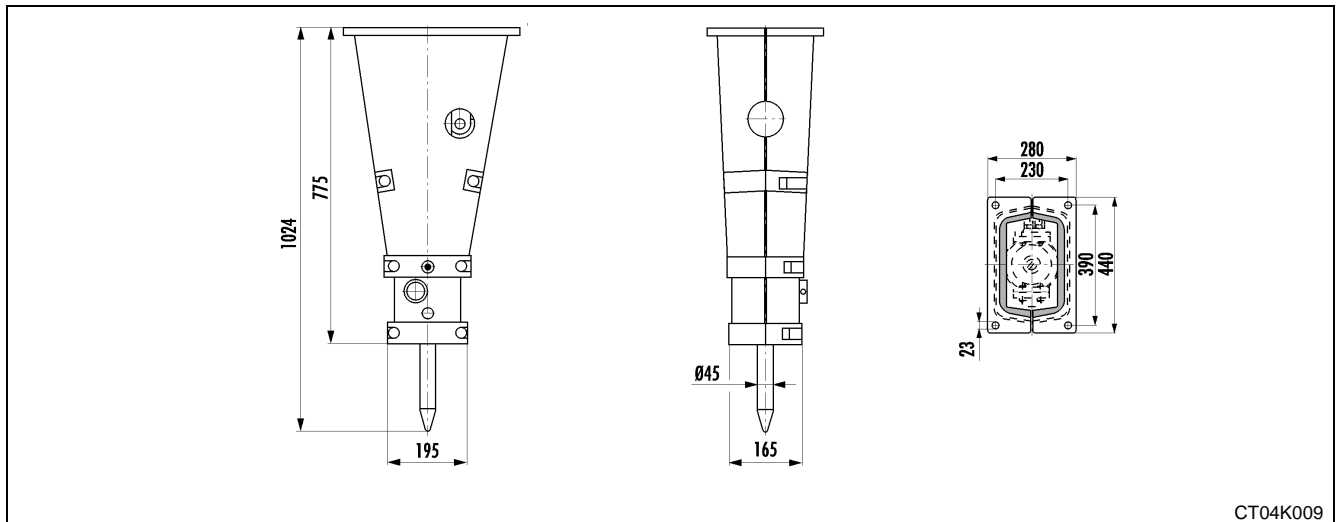
TECHNICAL SPECIFICATIONS

Overall dimensions Model CB 32 "Standard" type



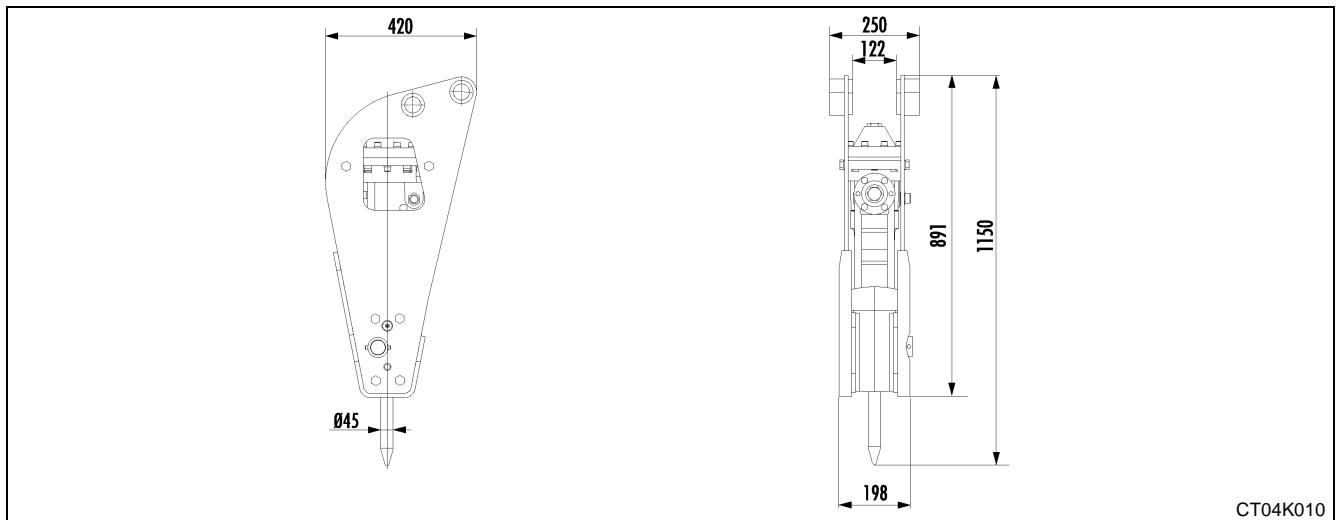
CT04K008

Model CB 32 "S" type



CT04K009

Model CB 32 "P" type



CT04K010