

6A-4 - FRONT AXLE (4WD)

FRONT WHEEL DRIVE SHAFT (4 WD)

FIG. 6A-02: Drive shaft component list.

- | | |
|----------------|---------------|
| 1. Drive shaft | 6. O-ring |
| 2. Snap ring | 7. O-ring |
| 3. Coupling | 8. Clamp |
| 4. Tube | 9. Clamp bolt |
| 5. Tube | 10. Bolt |

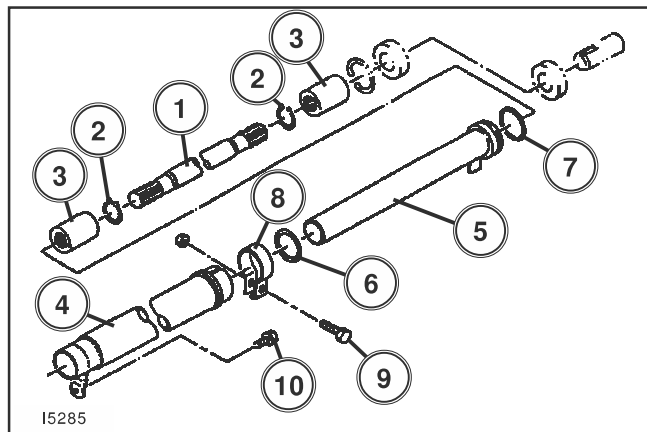


FIG. 6A-02

Removal and Installation

FIGS. 6A-02 & 6A-03: Loosen clamp bolt, 9, holding telescoping drive tubes.

Remove bolts, 10.

Slide tubes, 4 and 5, together to expose couplers, 3, and snap rings, 2.

Move snap rings up toward center of shaft.

Slide couplers, 3, up on shaft and remove shaft.

Reverse procedures to install drive shaft, making certain snap rings are located in grooves.

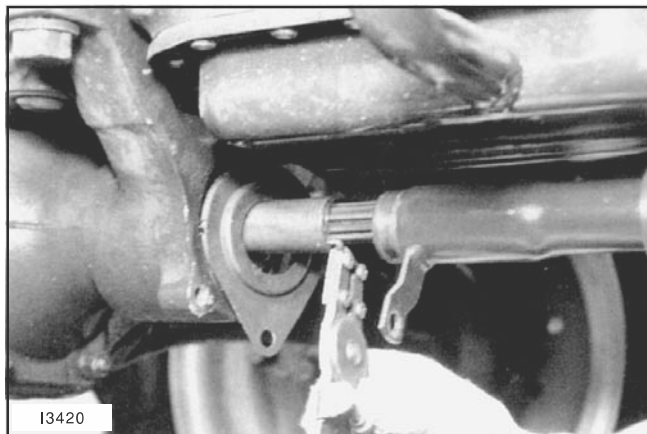


FIG. 6A-03

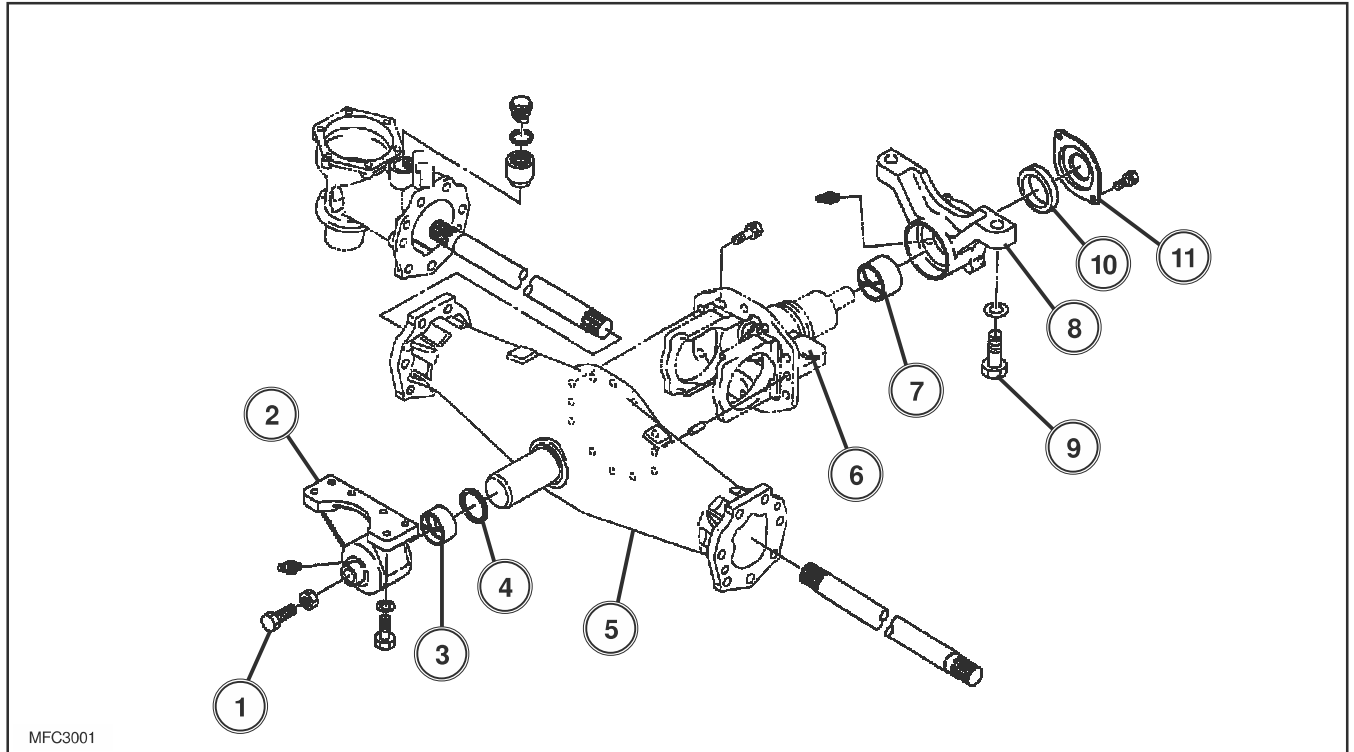


FIG. 6A-04

FIG. 6A-04: Front axle component list:

1. Adjusting bolt
2. Pivot support
3. Bushing (55 x 60 x 50)
4. Oil seal
5. Axle housing
6. Bevel gear case
7. Bushing (65 x 70 x 44)
8. Rear pivot support
9. Bolt
10. Oil seal
11. Cover