

GENERAL DIMENSIONS

	Reference	MF1250/ST35 Tractor		MF1260/ST40 Tractor	
		Ag. 4-WD	Turf 4-WD	Ag. 4-WD	Turf 4-WD
A1	Height Over Steering Wheel	59.4"(1510mm)	59.1"(1503mm)	60.4"(1535mm)	60.1"(1528mm)
A2	Height Over ROPS	85.4"(2170mm)	83.8"(2130mm)	86.4"(2195mm)	83.8"(2130mm)
B	Minimum Width	55.3"(1406mm)	57.6"(1463mm)	56.2"(1427mm)	57.6"(1463mm)
C	Overall Length	120.9"(3070mm)	120.9"(3070mm)	120.9"(3070mm)	120.9"(3070mm)
D	Wheelbase	67.9"(1725mm)	67.9"(1725mm)	67.9"(1725mm)	67.9"(1725mm)
E	Minimum Ground Clearance	12.2"(310mm)	10.8"(275mm)	13.2"(335mm)	10.8"(275mm)
---	Turning Radius w/o Brake	110.2"(2800mm)	110.2"(2800mm)	126.0"(3200mm)	110.2"(2800mm)
---	Turning Radius w/ Brake	90.6"(2300mm)	98.4"(2500mm)	94.5"(2400mm)	98.4"(2500mm)
---	Weight (w/fuel, oil, coolant)	2745lbs.(1245kg)	2833lbs.(1285kg)	2954lbs.(1315kg)	2877lbs.(1305kg)

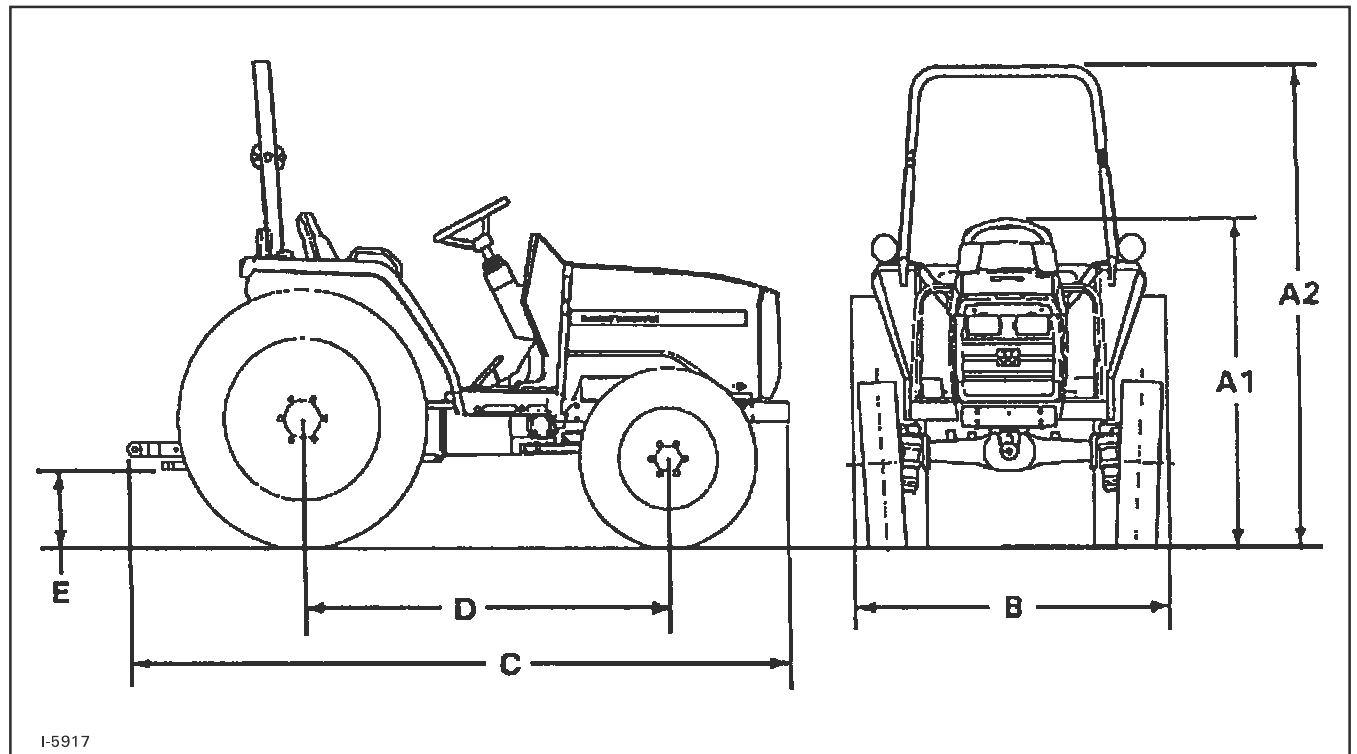


FIG. 5B-01

POWER SHUTTLE LEVER

FIG. 5B-02: Forward and reverse travel is selected only with the lever on the steering column.

Operation of power shuttle lever

On the power shuttle, lift up the lever in the neutral position and then shift it to "forward" or in "reverse" position.

Precautions to power shuttle operation

Advise operators to abide by the following items for operational safety and protection of the power shuttle clutch when operating the power shuttle system.

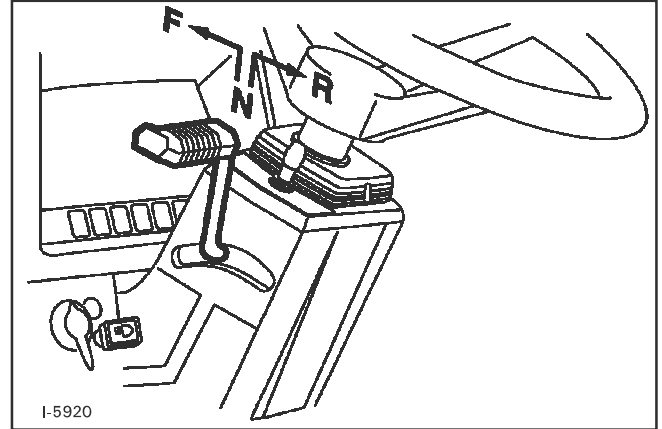


FIG. 5B-02

Operation	Precautions
Starting	Start at a speed of slower than 10 mph (16 kph) by "selecting a proper gear position and engine speed. [When equipped with a front loader, starting speed slower than 6 mph (9.6 kph) is recommended.]
	When towing a trailer, never attempt starting the tractor with the power shuttle lever.
Shifting from forward to reverse	Shift from forward to reverse traveling and vice versa at a speed of slower than 5 mph (8 kph) by selecting a proper gear position and engine speed. [when equipped with a front loader, speed slower than 3.5 mph (5.6 kph) is recommended.]
	Operate the power shuttle lever slowly. (When oil temperature is low, fast lever operation may cause serious shifting shock.)