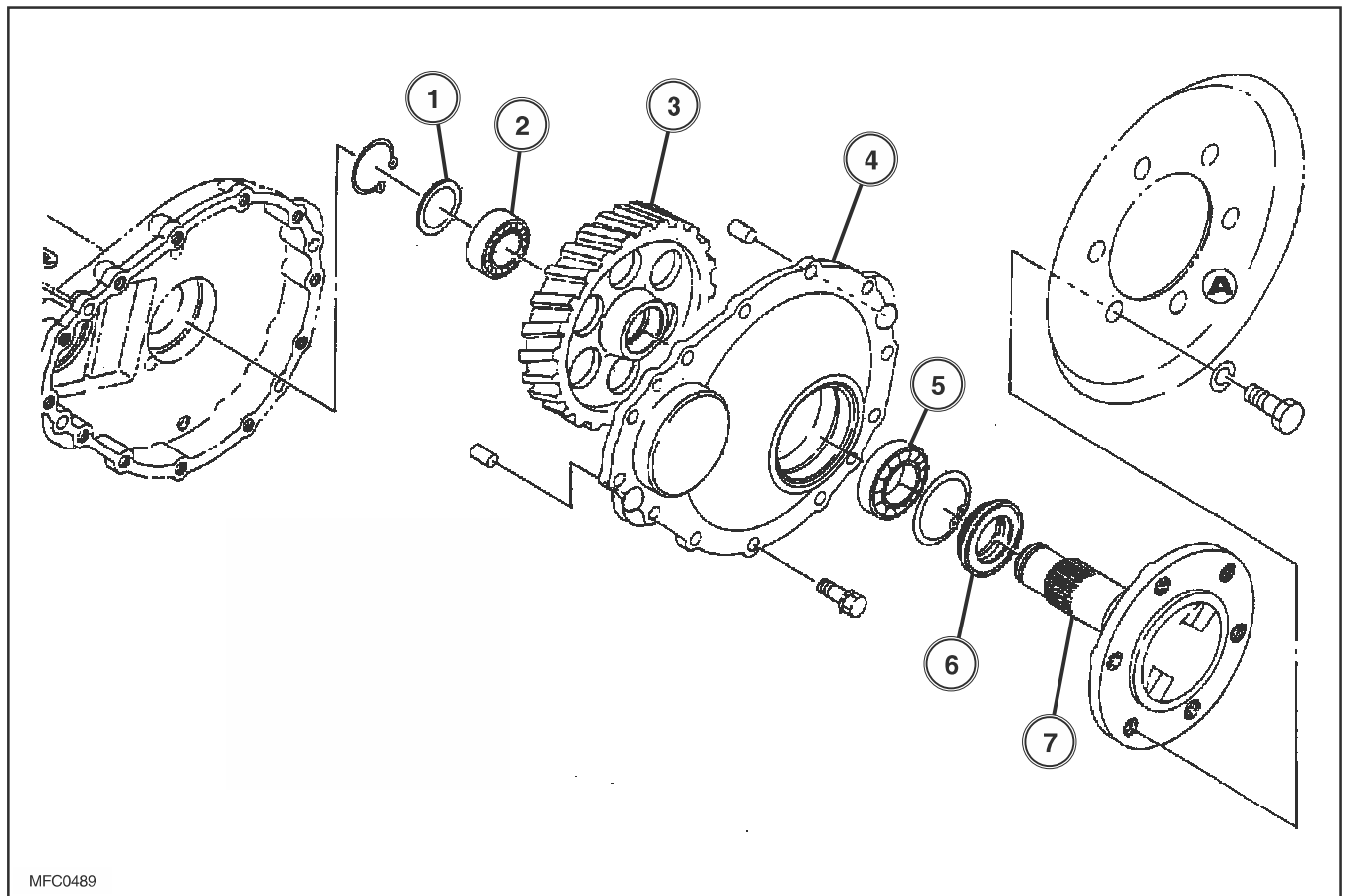


MFC0488

FIG. 2

- FIG. 2: Axle housing**
- 1. Right-hand housing
 - 2. Left-hand housing
 - 3. Snap ring
 - 4. Stop plate

F-4 - REAR AXLE AND BRAKES



MFC0489

FIG. 3

FIG. 3: Wheel shaft assembly

1. Collar 35x50x2
2. Bearing
3. Bull gear 62T
4. Wheel housing
5. Bearing
6. Seal
7. Wheel shaft