

GENERAL INFORMATION

FIG. 16: Safety sign & reflector locations. 12-Row models only.

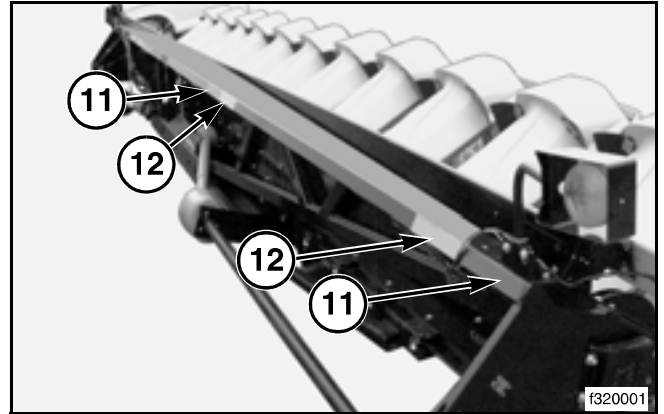


FIG. 16

FIG. 17: Safety sign locations.

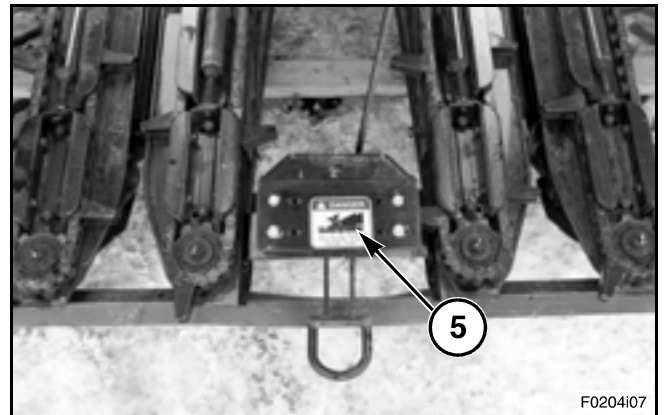


FIG. 17

FIG. 18: Safety sign locations.



FIG. 18

FIG. 19: Safety sign locations.



WARNING: DO NOT operate the combine or Corn Head unless all shields are in place.



WARNING: Shields have been removed in some photos for clarification. DO NOT OPERATE Corn Head UNLESS ALL SHIELDS ARE IN PLACE.

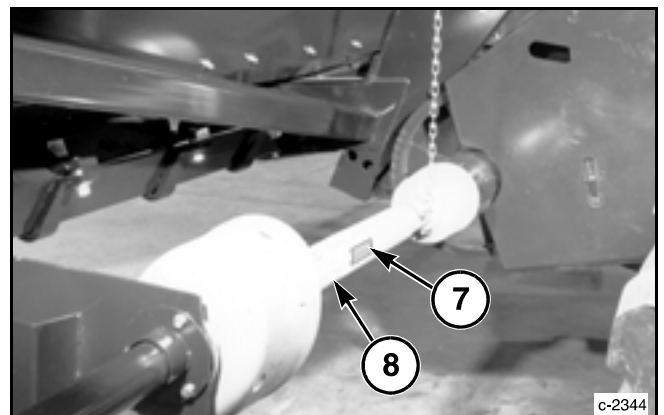


FIG. 19

GENERAL INFORMATION

Right and Left Hand

FIG. 20: Throughout this manual when reference is made to Left Hand and Right Hand, it is determined by standing behind the machine and facing the direction of forward travel.



FIG. 20

Header Lift Cylinder Stop

FIGS. 21–22: Disengaged Lift Ram Stop: A header lift cylinder stop (1) is located on the Left Hand feeder housing lift cylinder on the combine.

A "U" shaped piece of heavy metal called a Header Lift Cylinder Stop (1) is pivoted on a pin near the outer end of the lift cylinder rod (2). When the lift rams are fully extended, the cylinder stop (1) can be pivoted upward.

The cylinder stop support hook (3) can be engaged into the slot in the feeder housing side where the stop (1) is carried while the combine is in operation.



DANGER: NEVER permit anyone to get under any part of header or feeder housing, or between raised header and combine to work, unless header lift cylinder stop is engaged, and fully contacts the cylinder rod, engine is stopped, brakes are set, and the start key is removed. Be sure the Corn Head is latched securely to the feeder housing.



DANGER: ALSO, to prevent any possible accidental lowering of header and possible injury, **ALWAYS** stop the engine, set brakes and remove the start key during the time operator or other person is between the back of the raised header and combine and reaches under the side of feeder housing to engage or disengage the header lift cylinder stop.

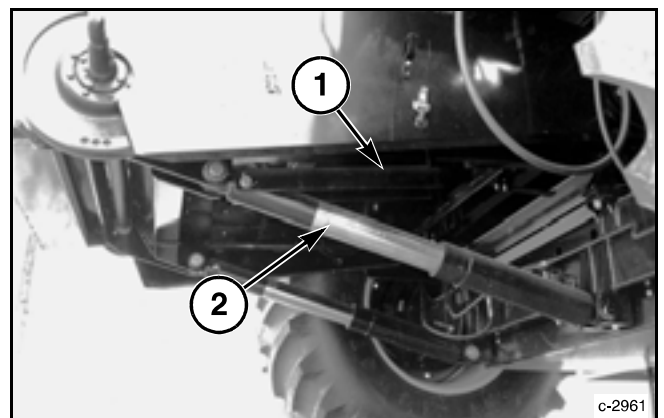


FIG. 21

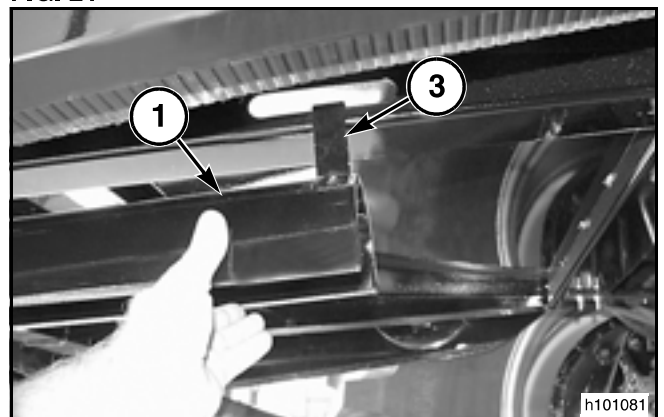


FIG. 22