

Fender and Step Group

RIGHT FRONT FENDER AND STEP REMOVAL



WARNING: The exhaust system can be very hot. Be sure to allow the exhaust system to cool before attempting to remove the fender.

NOTE: The fender removal is easier with the tractor tires removed. See the tire removal section for more information.

FIG. 2: Right front fender location.

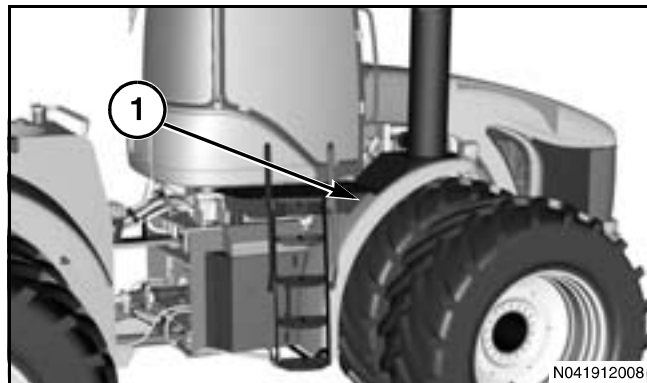


FIG. 2

FIG. 3: Disconnect electrical connection from light. Remove wiring from fender.

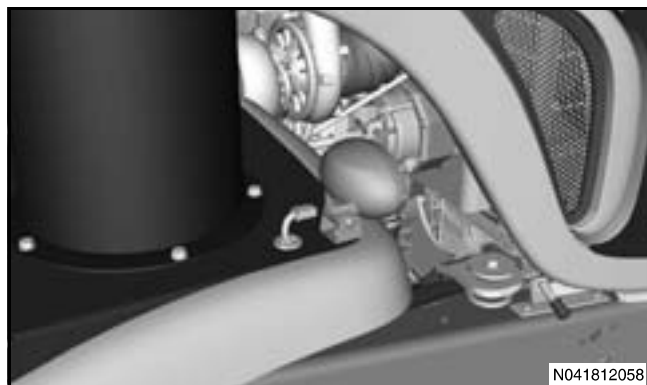


FIG. 3

FIG. 4: Loosen clamp (1) holding exhaust tube to exhaust muffler.

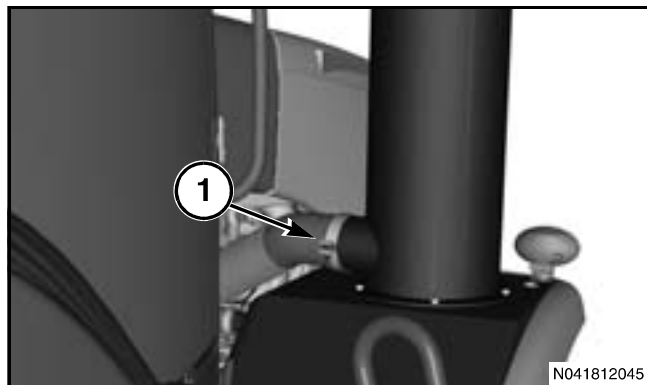


FIG. 4

Fender and Step Group

FIG. 5: Remove five bolts (1) holding exhaust muffler (2) to fender and remove muffler.

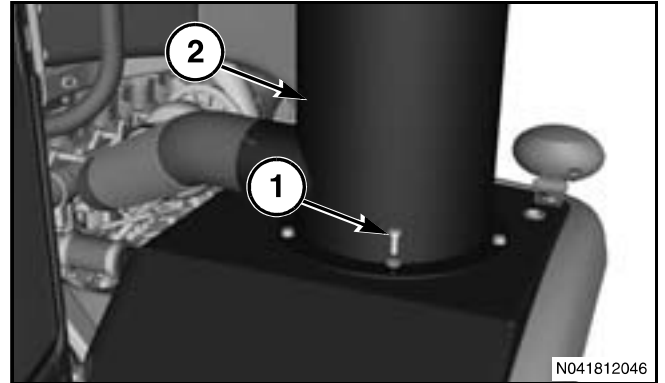


FIG. 5

FIG. 6: Loosen clamps (1) and slide connector off of dust collection tube (2).

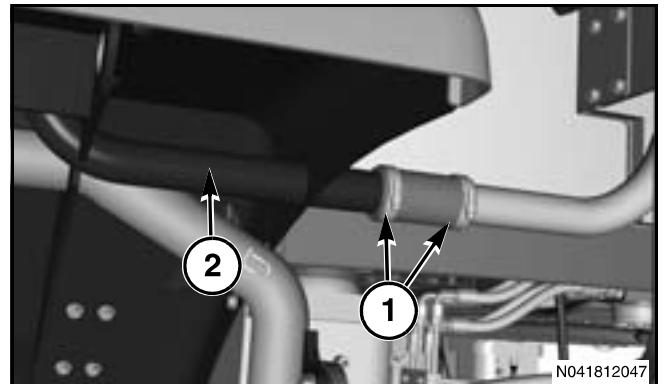


FIG. 6

FIG. 7: Remove two bolts (1) and two bolts (2) holding bottom supports to front frame section.

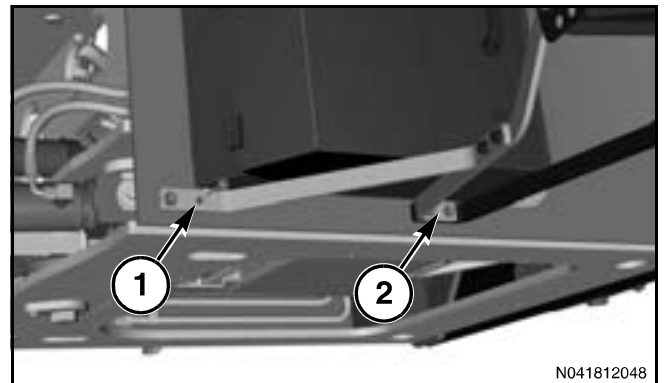


FIG. 7

FIG. 8: Remove eight bolts (1) and remove step assembly.

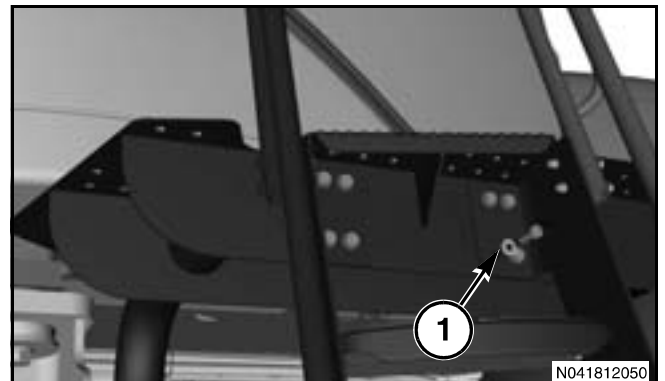


FIG. 8