

GEAR PUMP

Parts and Hydraulic Diagram

FIG. 17: Main Pump

Output: 16.8 cc rev.



FIG. 17

FIG. 18: Sub pump

Standard and HST output: 7.1 cc rev.

Power Shuttle and Q output: 8.7 cc rev.

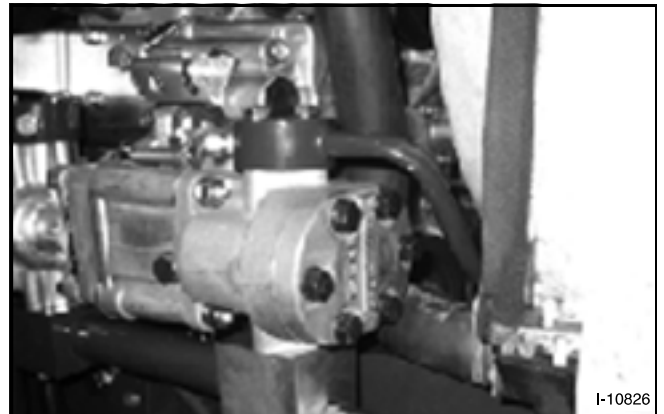


FIG. 18

FIG. 19: Main Pump

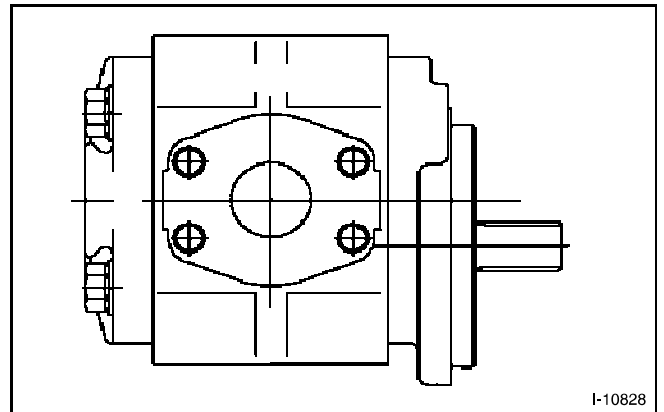


FIG. 19

Sub Pump

Component Breakdowns

FIG. 20: Sub Pump

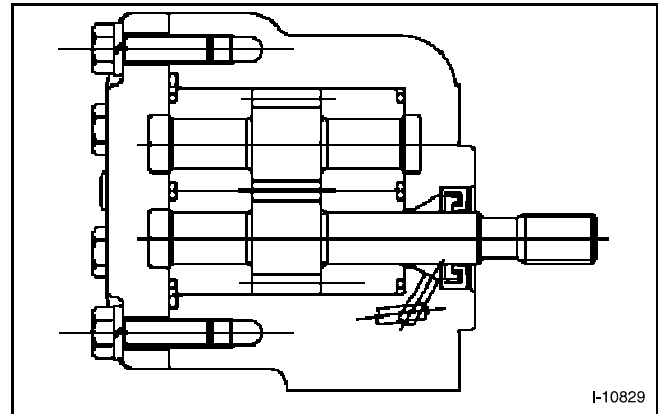


FIG. 20

Model	Type	Main Pump Output	Sub Pump Output
47 hp	S	39.8 l/min (10.5 gal/min) at 2600 rpm rotation (drive shaft) ratio 0.912	16.8 l/min (4.4 gal/min) at 2600 rpm
	H		20.6 l/min (5.4 gal/min) at 2600 rpm
52 hp	P	43.2 l/min (11.4 gal/min) at 2500 rpm rotation (drive shaft) ratio 1.014	18.3 l/min (4.8 gal/min) at 2500 rpm
	Q		22.4 l/min (5.9 gal/min) at 2500 rpm