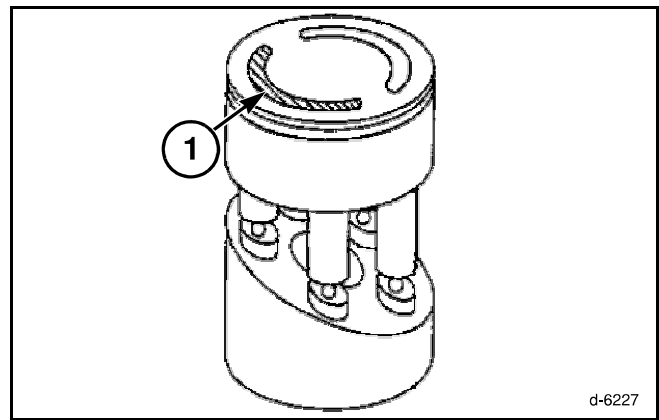


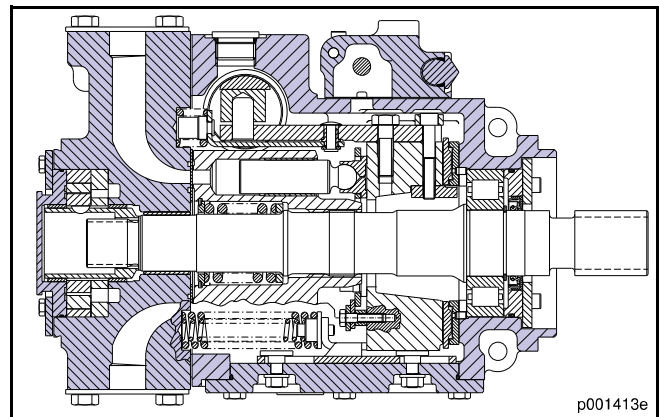
**FIG. 8:** When the left-hand side (1) of the valve plate is pressurized, the left-hand side of the fixed swash plate becomes the down side and the rotating block will turn counterclockwise as seen from above the valve plate.



**FIG. 8**

### Hydrostatic Pump

**FIG. 9:** The hydrostatic pump has similar components as the motor, but has an adjustable swash plate. A shaft drives the pump from the engine; so the rotating group is turning. When the swash plate has zero degrees angle, the rotating group turns without pumping oil. As the swash plate angle is changed, the piston sleeves fill with oil on the down side. The pistons push the oil out on the up side. To reverse rotation, the swash plate is rotated back to zero degrees and angled in the opposite direction.



**FIG. 9**

# General Hydraulic Information

## HYDRAULIC SCHEMATICS

### Four-Cylinder

