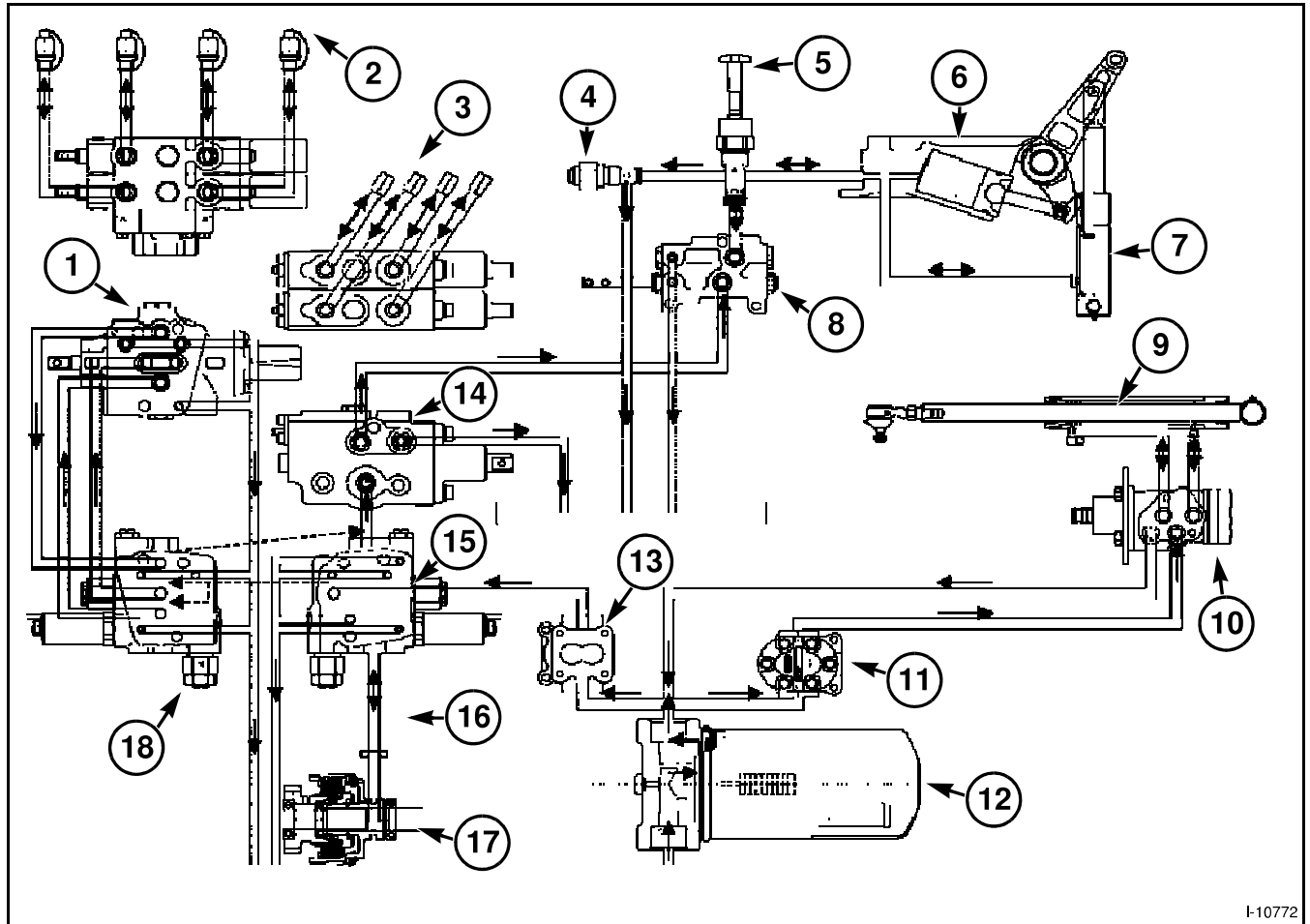


HYDRAULIC DIAGRAM

HYDRAULIC DIAGRAM

Synchro Shuttle Diagram



I-10772

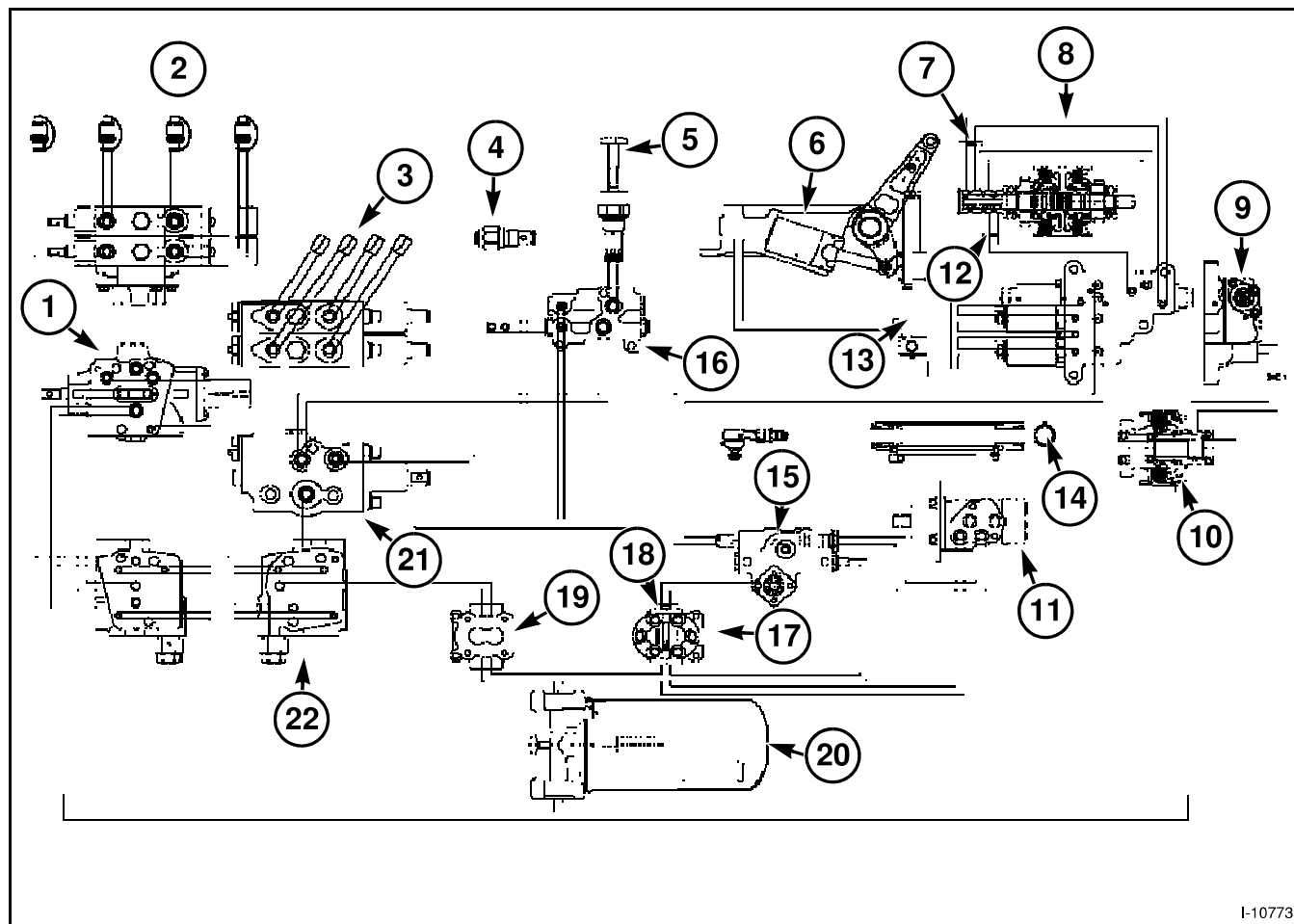
FIG. 7

FIG. 7: Synchro Shuttle

- | | |
|------------------------------------|---|
| (1) Joystick Valve | (10) Orbit Roll |
| (2) To Front Loader Cylinder | (11) Sub Pump |
| (3) To External Auxiliary Cylinder | (12) Suction Filter |
| (4) Safety Valve | (13) Main Pump |
| (5) Slow Return Valve | (14) Auxiliary Hydraulics Control Valve |
| (6) Main Cylinder | (15) PTO Control Valve |
| (7) Assist Cylinder | (16) L/C Filter |
| (8) Main Control Valve | (17) PTO Clutch |
| (9) Power Steering Cylinder | (18) Main Relief Valve |

Hydraulic Diagram

PowerShuttle



I-10773

FIG. 8

FIG. 8: Power Shuttle

- | | |
|-------------------------------------|---|
| (1) Joystick Valve | (12) L/C Filter |
| (2) To Front Loader Cylinder | (13) Assist Cylinder |
| (3) To External Auxiliary Cylinder | (14) Power Steering Cylinder |
| (4) Safety Valve | (15) Reduce Valve |
| (5) Slow Return Valve | (16) Main Control Valve |
| (6) Main Cylinder | (17) Sub Pump |
| (7) L/C Filter | (18) L/C Filter |
| (8) Power Shuttle Clutch | (19) Main Pump |
| (9) Valve for Power Shuttle and PTO | (20) Suction Filter |
| (10) PTO Clutch | (21) Auxiliary Hydraulics Control Valve |
| (11) Orbit Roll | (22) Main Relief Valve |