

FERTILIZER PISTON PUMP

GENERAL INFORMATION



WARNING: Always read and follow manufacturer's labels and use care when handling agricultural chemicals. Misuse or mishandling can cause severe personal injury.

FIG. 1: The liquid fertilizer option consists of a piston pump, one 2839 liters (750 gal) poly tank, single or double disc openers, and associated plumbing.

The fertilizer tank option is on the frame or a pull behind tank.

The piston pump (1) is driven by the contact wheel drive (2). The piston pump is disengaged when the planter is raised.

Liquid fertilizer is pumped to a flow divider or cast manifold and then distributed through hoses to the fertilizer openers.

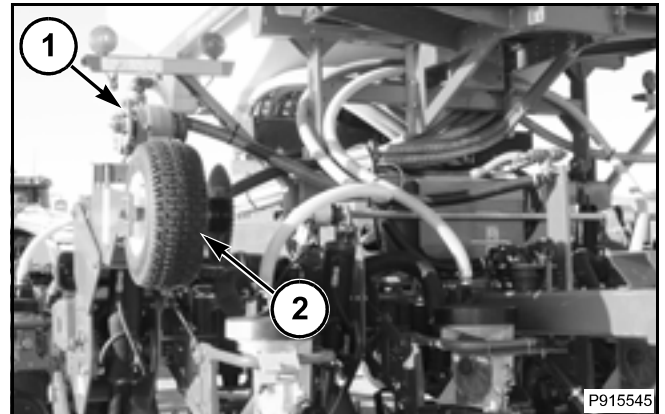


FIG. 1

Single Piston Pump - NGP-6055

FIG. 2: Check oil daily and fill crankcase with SAE 90 gear oil (1). Oil level must be visible at the oil level check plug (2) on the back of the crankcase. The level plug is located at the same height as the crankshaft.

Daily lubricate all the grease fittings on the roller chain sprocket spacer (3), out board cover plate (4), end of the crankshaft (5), and at the stuffing box flange (6).

Fill the grease fittings until the grease is visibly seen seeping from the mating parts, for the stuffing box flange grease fitting, grease will be seen seeping from the vent on the opposite side of the flange.

Pump oil must be changed seasonal or in extreme use conditions. The oil drain plug (7) is on the back.

Visually inspect sprocket and drive chain daily for excessive wear or corrosion. Lubricate chain regularly to reduce corrosion. Chain alignment must be straight.

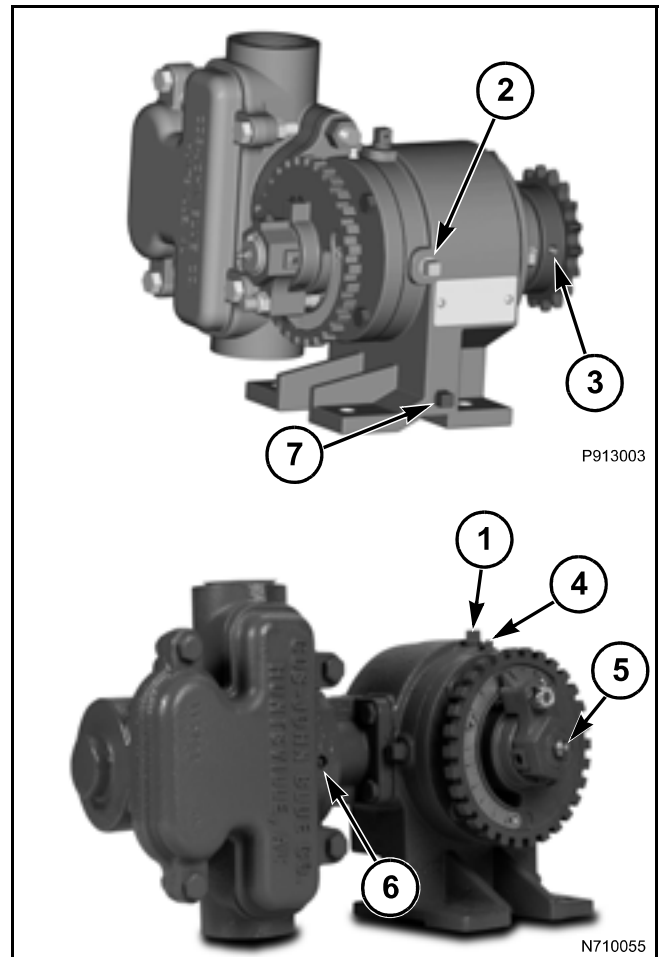


FIG. 2

Fertilizer Piston Pump

GENERAL INFORMATION

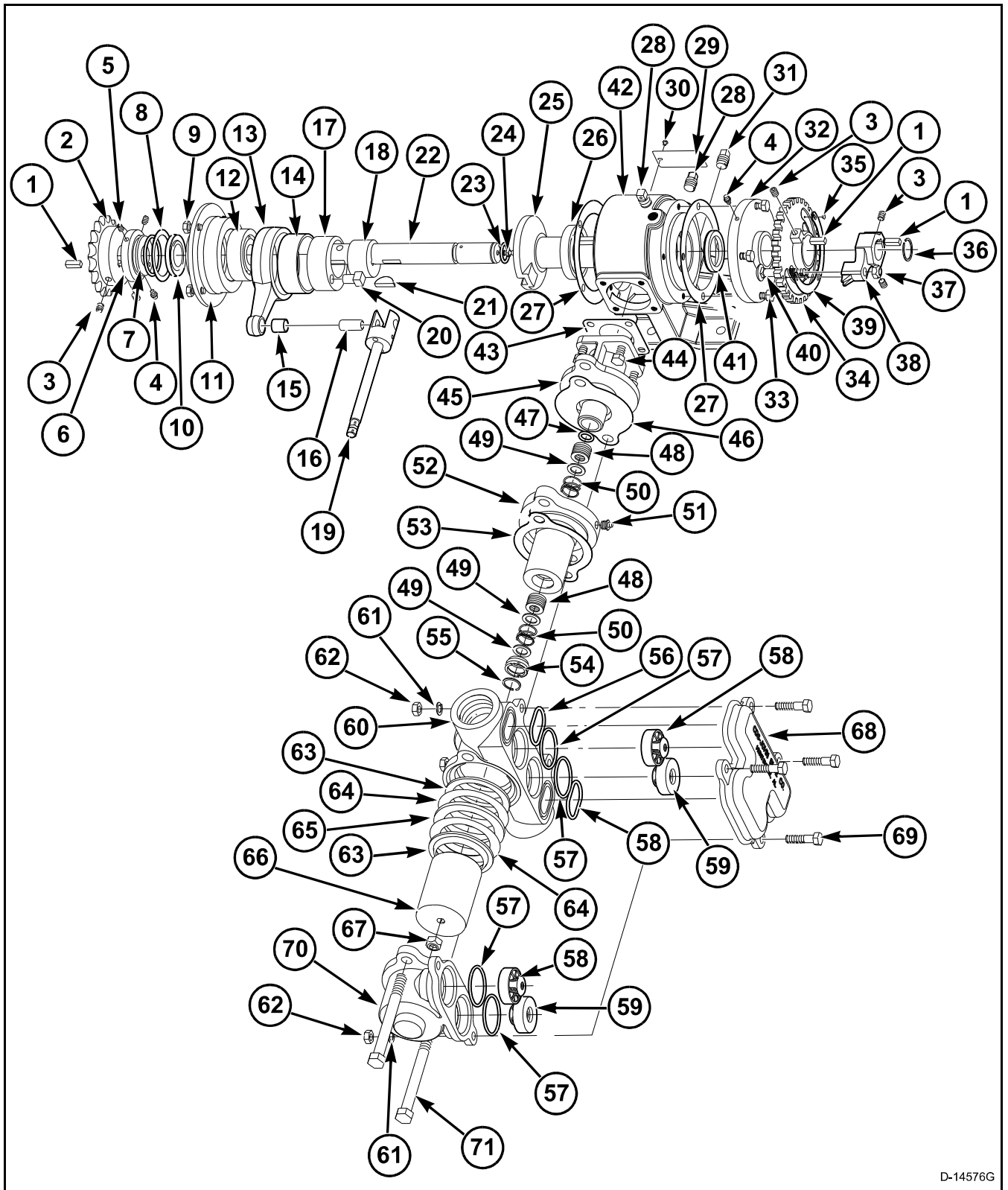


FIG. 3

FIG. 3: Single Piston Pump Components

- (1) Key
- (2) Sprocket

- (3) Set Screw
- (4) Grease Fitting
- (5) Set Screw