

Hydraulic Repair - On Board Hydraulics

Pump Removal - On Board Hydraulics

Raise the access shield at the front of the baler.

Drain the hydraulic fluid from the reservoir. The drain plug is located on the bottom of the reservoir. Make sure to note how much hydraulic fluid was drained. Dispose of the used hydraulic fluid properly.

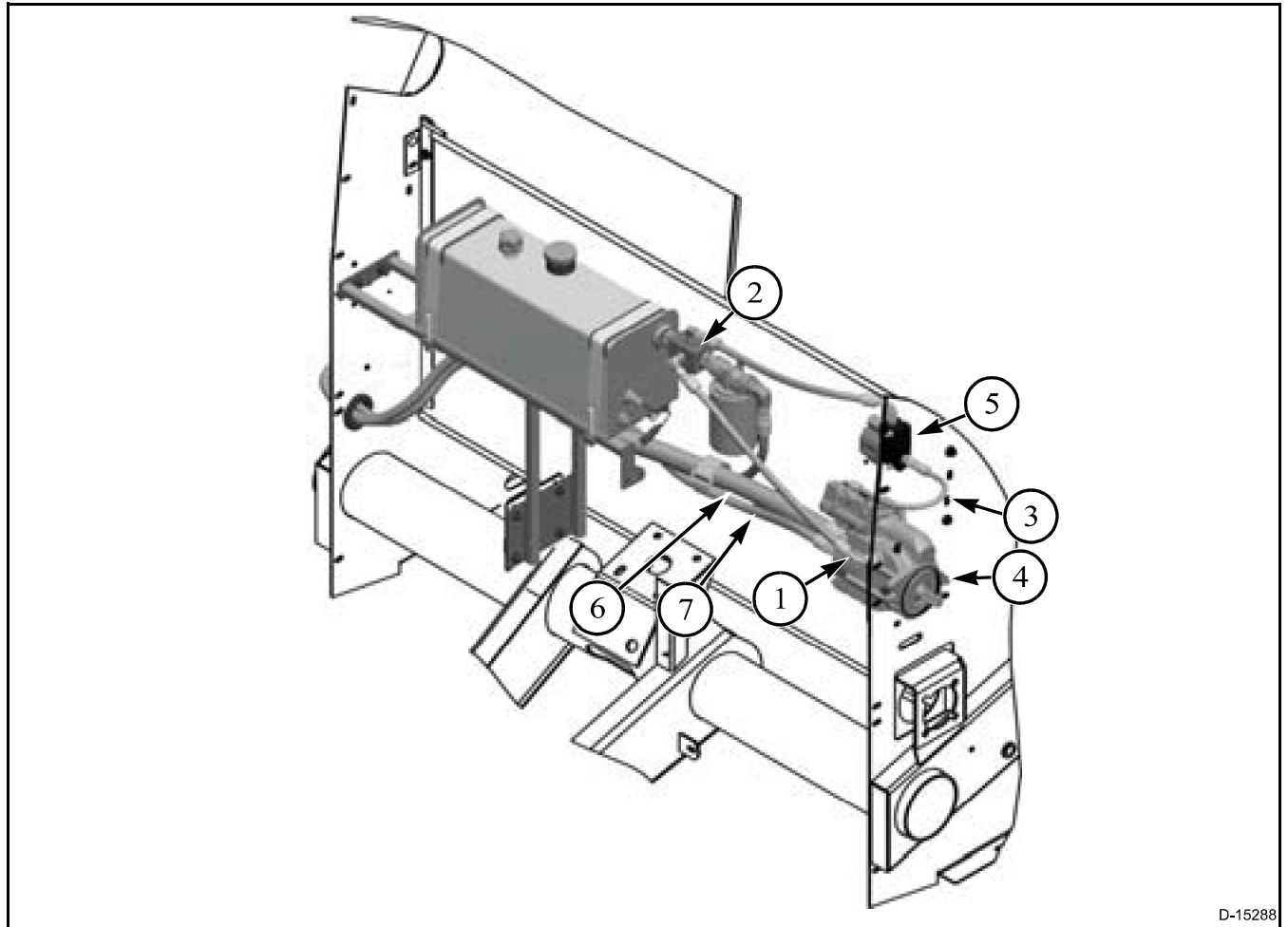


FIG. 5

FIG. 5: Pump Removal

Use identification tags to mark the hoses.

Remove the hose (1) from the hydraulic manifold (2) to the pump. Remove the hydraulic hose (3) connecting the pump (4) and dual compensator (5). Disconnect the hydraulic hose connected to port T (6). Disconnect the hydraulic hose connected to port P (7).

Hydraulic Repair - On Board Hydraulics

FIG. 6: Remove the pump chain (1). Loosen the sprocket idler (1) Remove the nuts (2) from each side of the pump (3).

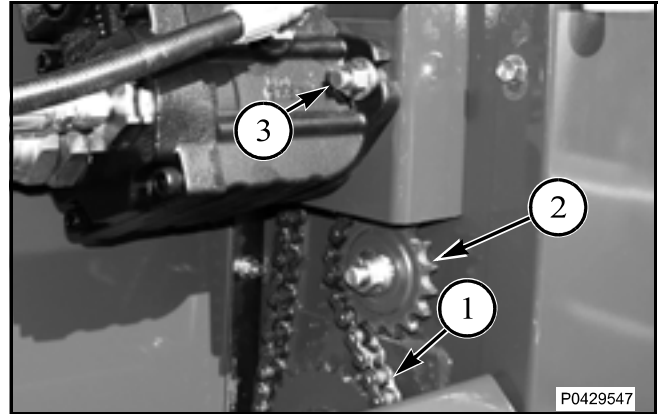


FIG. 6

FIG. 7: Remove the snap ring (1). Remove the sprocket (2) from the splined shaft.

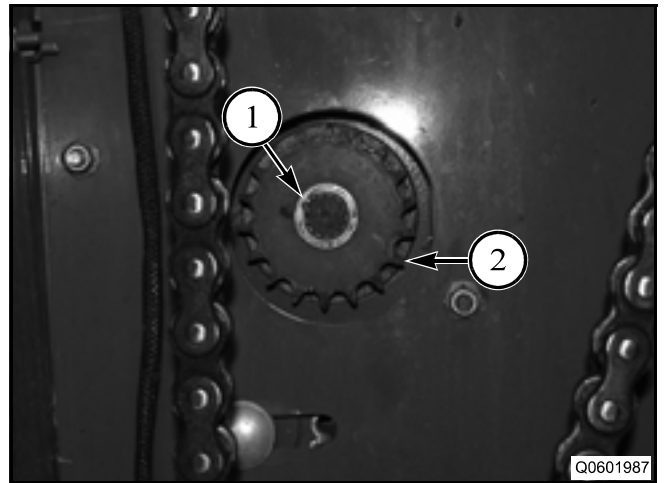


FIG. 7