

STABILIZER ARM

Removal

FIG. 7: Stabilizer Arm (1).



WARNING: Use a suitable supporting device to support the frame when moving components.

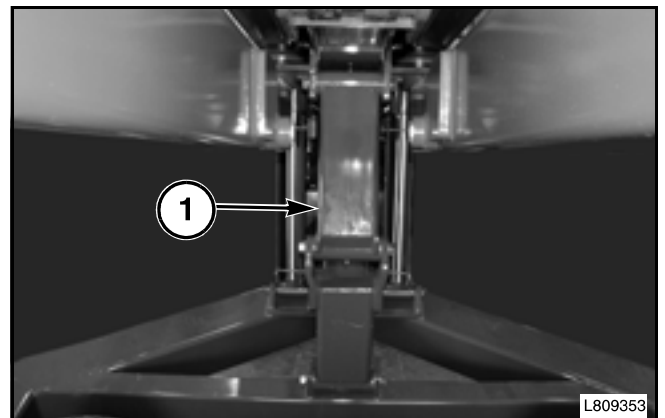


FIG. 7

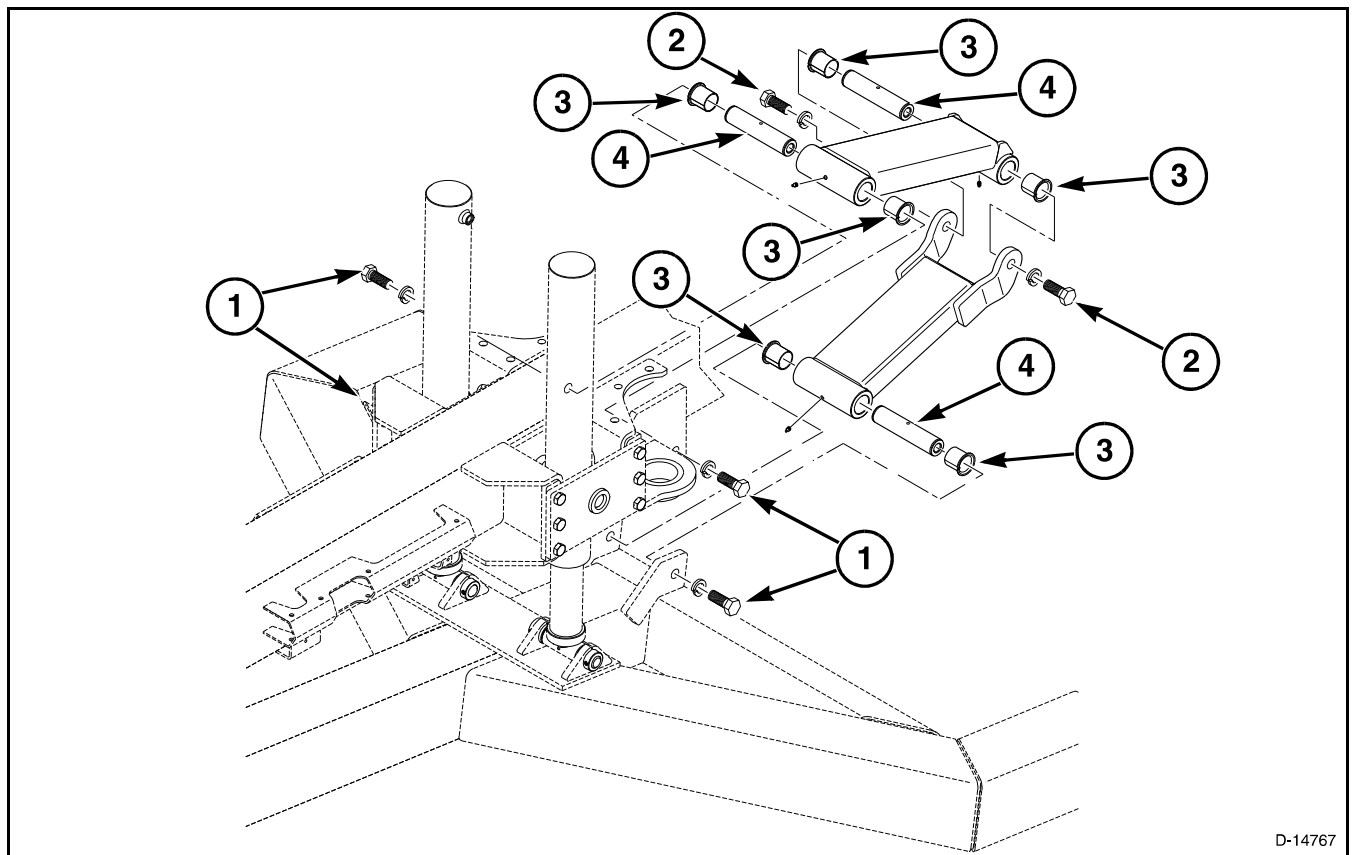


FIG. 8

FIG. 8: Unscrew the two cap screws (1).

Remove the stabilizer arm.

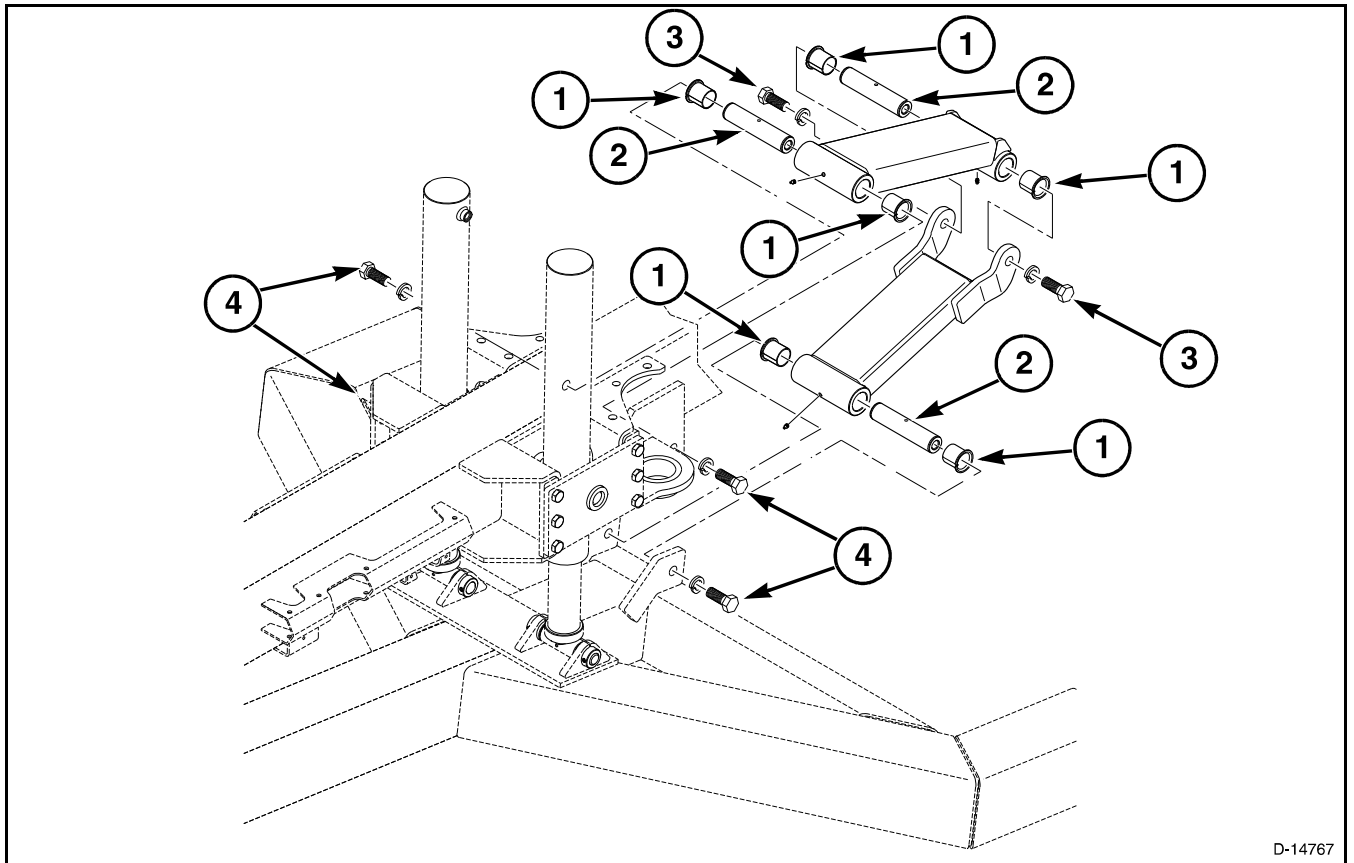
Remove cap screws (2).

Remove bushings (3) and pins (4).

Clean components in solvent and inspect. Replace if necessary.

Lift Wheels

Installation



D-14767

FIG. 9

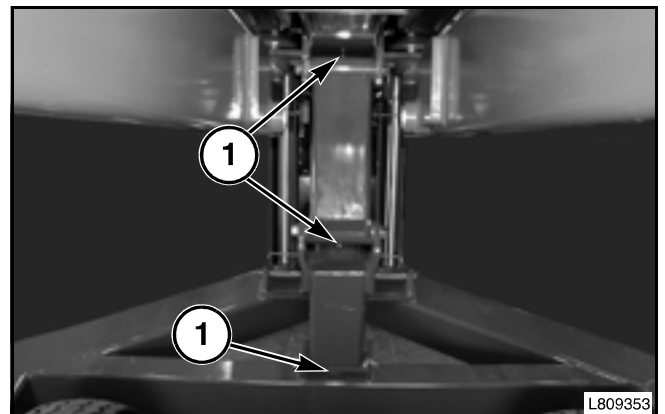
FIG. 9: Insert bushings (1) into the stabilizer arm.

Lubricate pins (2) with grease and insert into stabilizer arm.

Align the holes of the lower and upper stabilizer arm and insert cap screw (3) with lock washer and tighten to 874.5 Nm (645 lbf ft).

Attach stabilizer arm to frame by inserting the cap screws (4) and lock washers and tighten the cap screws to 874.5 Nm (645 lbf ft).

FIG. 10: Pump grease into the grease fittings (1) to fill the pin housing with grease.



L809353

FIG. 10