

Wheel Leg Removal

NOTE: The Wheel Leg does not have to be removed prior to removing steerable axle.

FIG. 6: Remove deflectors (1) from wheel legs. Refer to Deflector Removal section for more information.

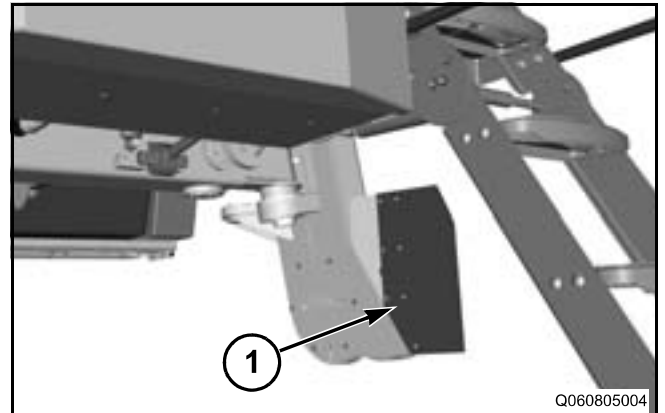


FIG. 6

FIG. 7: Remove wheel motors (1) from front axle. Refer to Wheel Motor Removal section for more information.

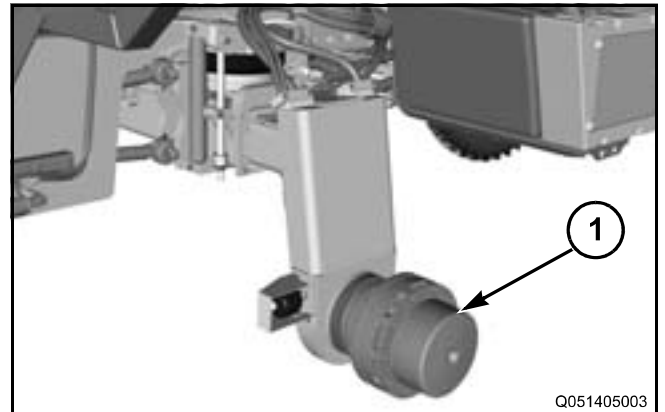


FIG. 7

FIG. 8: Remove twin clamps that secure wheel motor hoses. Loosen and remove nuts with washers (1).

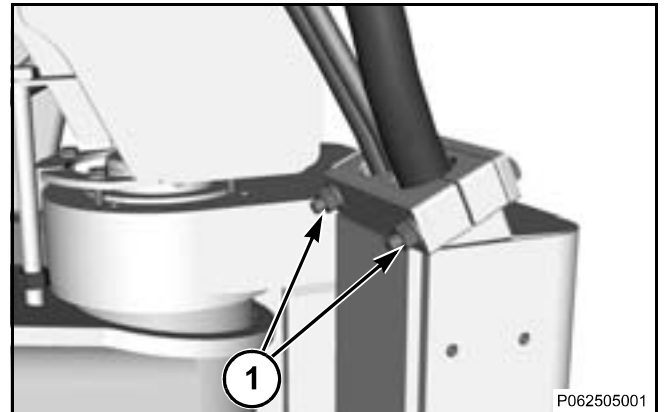


FIG. 8

984 / 1184 Front Axle Removal and Installation

FIG. 9: Remove two bolts (1), mounting plate (2), cover (3) and twin clamp (4). Relocate hydraulic lines. Perform procedure on both sides of wheel leg.

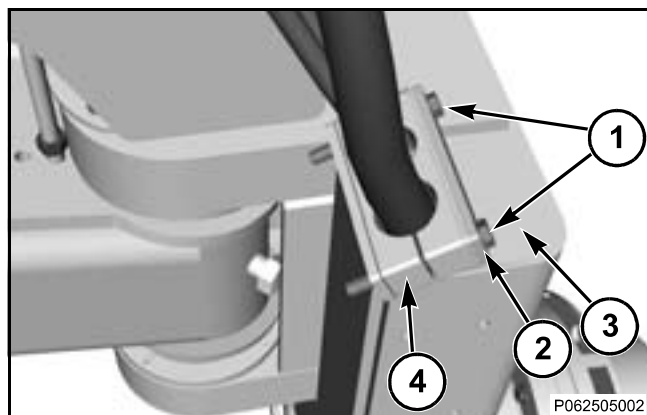


FIG. 9

FIG. 10: Loosen and remove two bolts with lock washers (1). Remove steering sensor cover (2).

NOTE: The steering sensor is only installed on machines with 4 wheel steer.

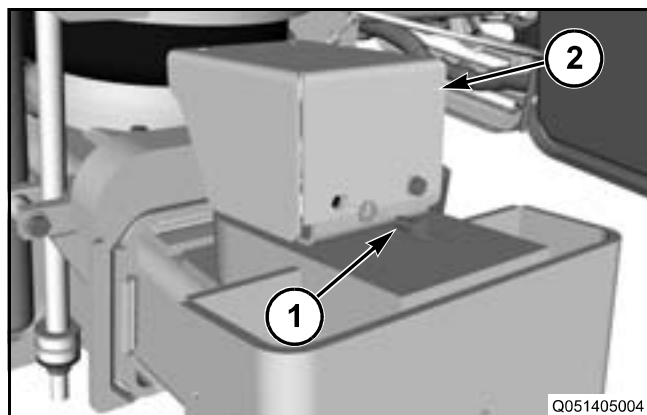


FIG. 10

FIG. 11: Loosen nut (1) and remove bolt (2). Disconnect electrical harness from steering sensor (3).

NOTE: The steering sensor is only installed on machines with 4 wheel steer.

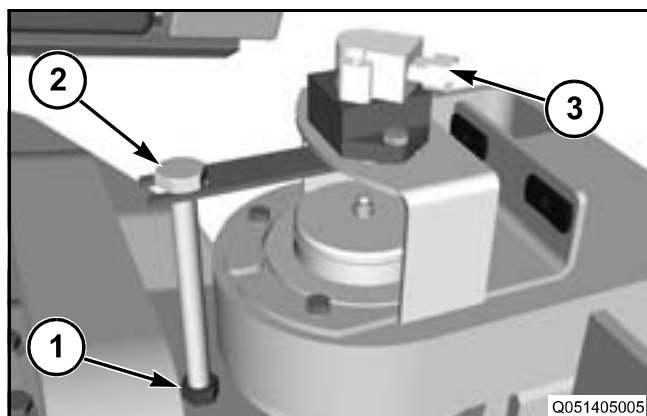


FIG. 11