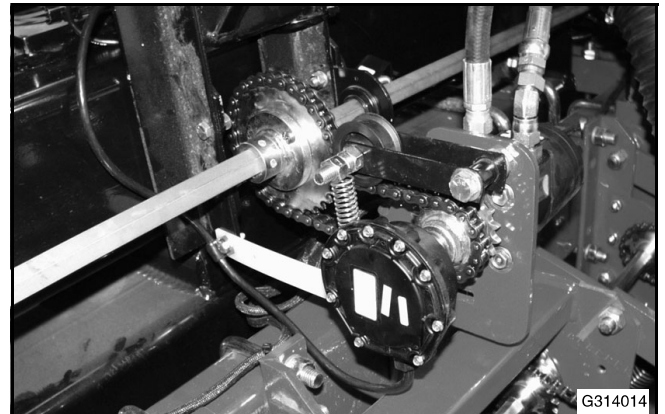


# HYDRAULIC DRIVE

## GENERAL INFORMATION

### Operation

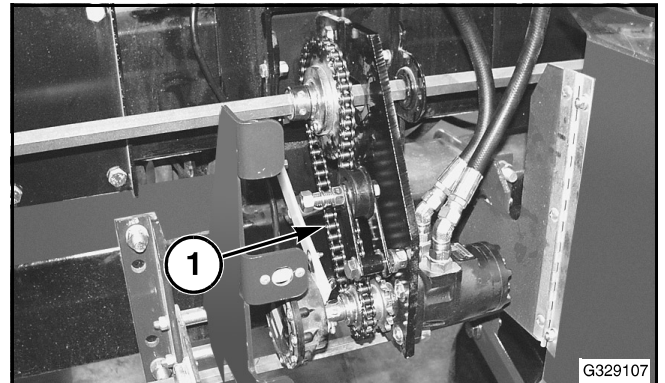
**FIG. 2:** The drive motor turns the drive group assembly, which turns the drive shaft. The motor is located at the rear of the planter.



**FIG. 2**

## ROLLER CHAIN

**FIG. 3:** The 8524-30 planter has a longer roller chain assembly than the other 8500 planters, but can be removed and installed in the same manner. The roller chain (1) has 62 links.



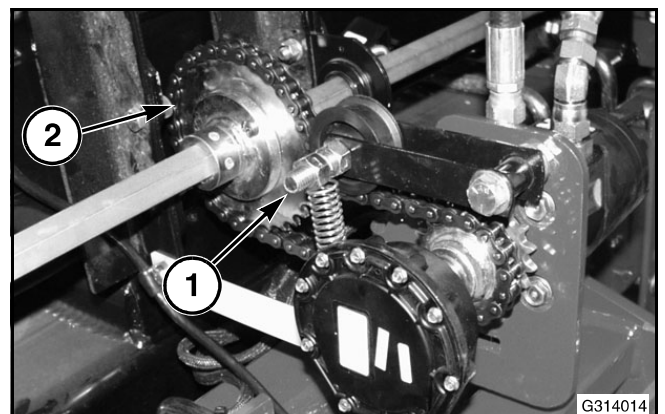
**FIG. 3**

## Removal

**FIG. 4:** Lift up on the idler pulley (1) to reduce chain tension and remove the 54 link roller chain (2).

The roller chain has a spring clip connector to easily separate the roller chain.

Inspect roller chain. Replace roller chain as required.



**FIG. 4**

# Hydraulic Drive

## Installation

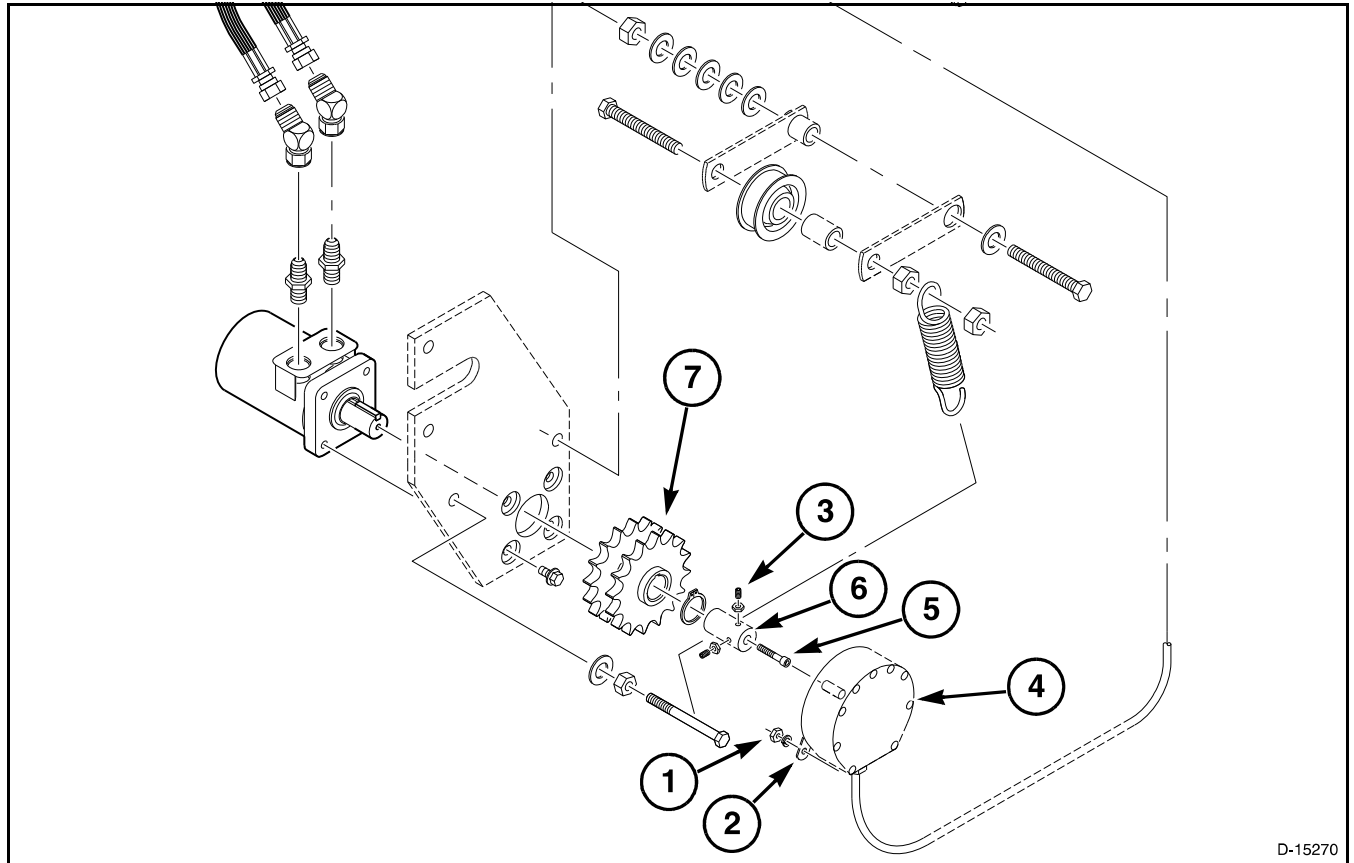
Place the roller chain on sprockets.

Lift up idler pulley and install the roller chain.

Release the idler pulley to increase the roller chain tension.

## 16 TOOTH SPROCKET

## Removal



**FIG. 5**

**FIG. 5:** Remove roller chain.

Remove nut and bolt (1) from strap (2).

Loosen the two set screws (3).

Slide speed sensor (4) off.

Remove hex-head screw (5) from motor shaft.

Slide sleeve off (6).

Slide the 16 tooth sprocket assembly (7) off motor shaft.

Clean or replace sprocket as needed.