

Lift Wheels

Removal

FIG. 2: Set lift wheel onto ground.

Remove the three bolts (1) and lock washers on each side of the spindle wheel arm.

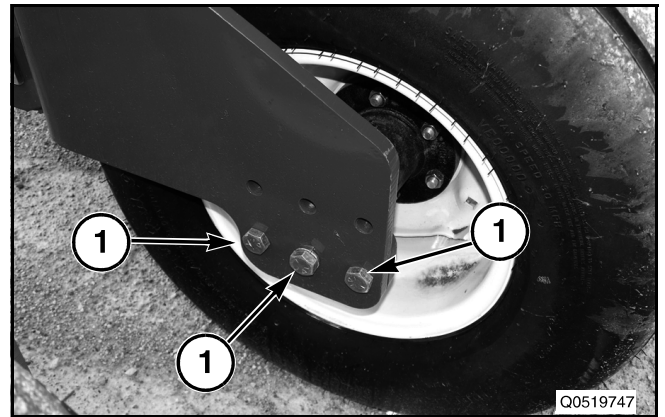
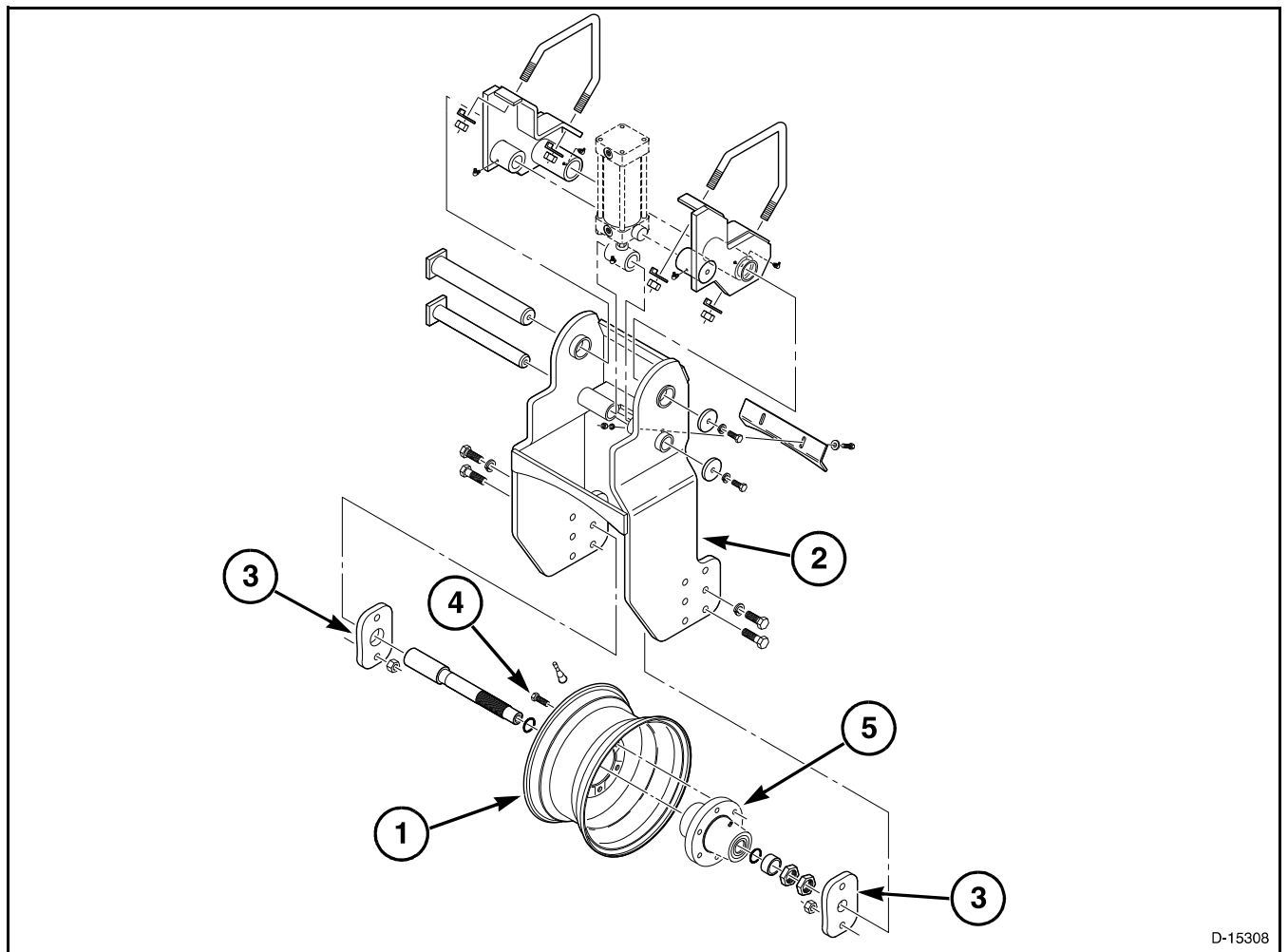


FIG. 2



D-15308

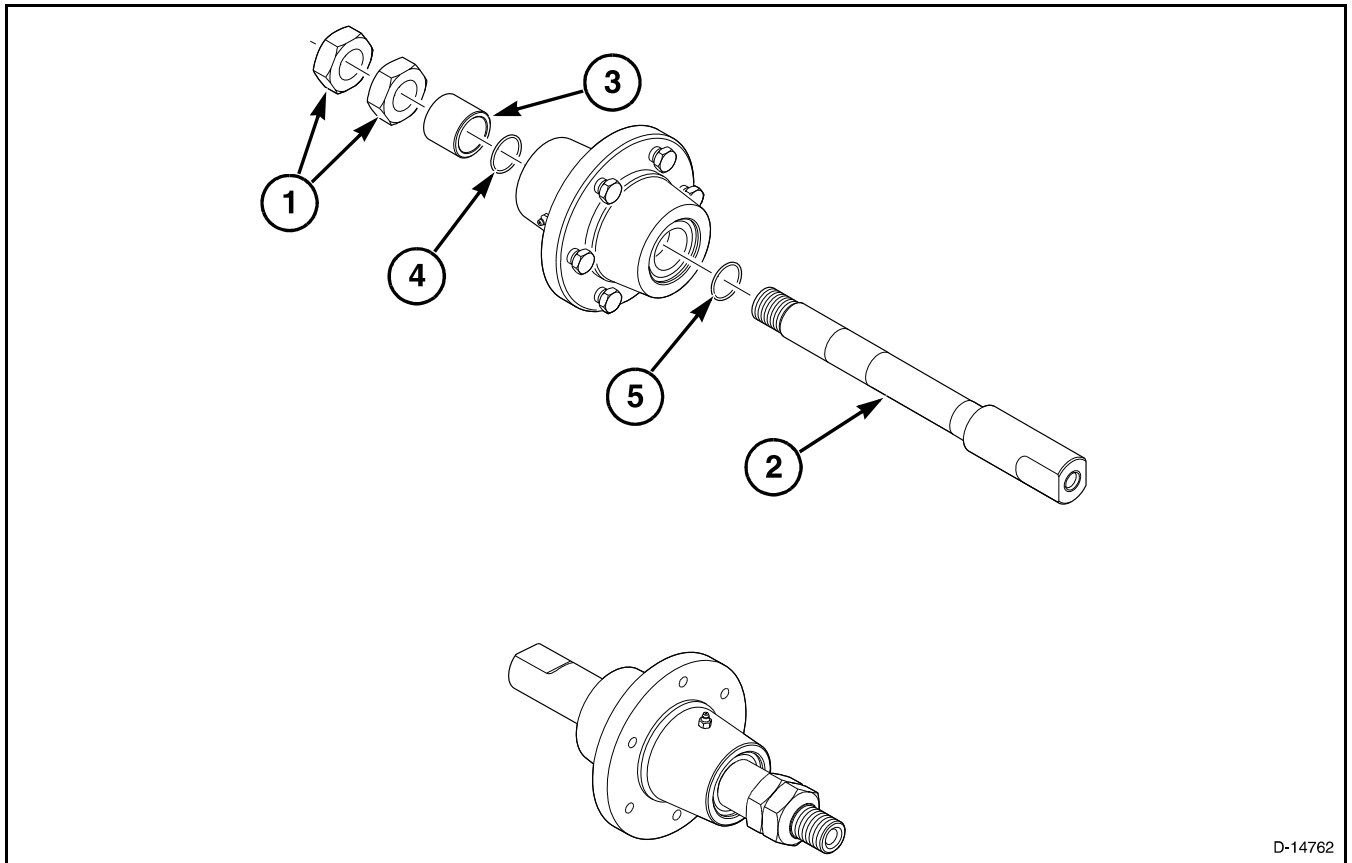
FIG. 3

FIG. 3: Pull the wheel (1) out from spindle wheel arm (2) and set aside the two adjustable axle plates (3).

Remove the six lug bolts (4) and remove the hub (5).

Remove the hub from the wheel.

Disassembly



D-14762

FIG. 4

FIG. 4: Remove the jam nuts (1).

Pull the spindle (2) out of the hub.

Remove the bushing spacer (3).

Remove the o-ring (4) and bearings.

NOTE: The remaining o-ring (5) does not require removal for bearing lube procedure.

Inspection

Clean the components in a solvent.

Inspect the bearings to see if the rollers are working properly. If damaged, replace the bearings.

Inspect other components. Replace if damaged.