

Transmission Control Unit (TCU)

FIG. 14: TCU (1) is located under rear left-hand corner of cab. The TCU controls various systems.

The transmission system uses TCU to control transmission solenoid valves (No. 1 through No. 9). The solenoid valves control shifting of transmission.

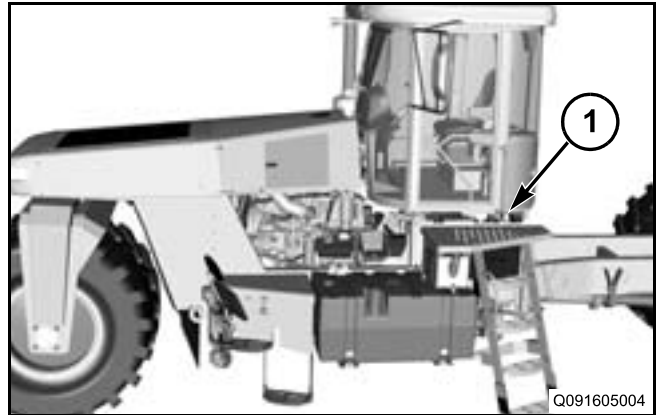


FIG. 14

Modulating Valves (Transmission Clutch)

FIG. 15: Modulating Valves for Transmission Clutches

- (A) Modulating Valve (Transmission Clutch) (No. 9)
- (B) Modulating Valve (Transmission Clutch) (No. 1)
- (C) Modulating Valve (Transmission Clutch) (No. 2)
- (D) Modulating Valve (Transmission Clutch) (No. 6)
- (E) Modulating Valve (Transmission Clutch) (No. 3)
- (F) Modulating Valve (Transmission Clutch) (No. 4)
- (G) Modulating Valve (Transmission Clutch) (No. 8)
- (H) Modulating Valve (Transmission Clutch) (No. 7)
- (J) Modulating Valve (Transmission Clutch) (No. 5)

Nine modulating valves (1) for transmission clutches are located on side of transmission. Each valve has a designated letter, as shown. The letters have been cast into transmission case. The designated letters are used to correlate modulating valve (transmission) to corresponding transmission clutch.

The modulating valves control hydraulic flow of oil to clutches in transmission to engage different gear ratios.

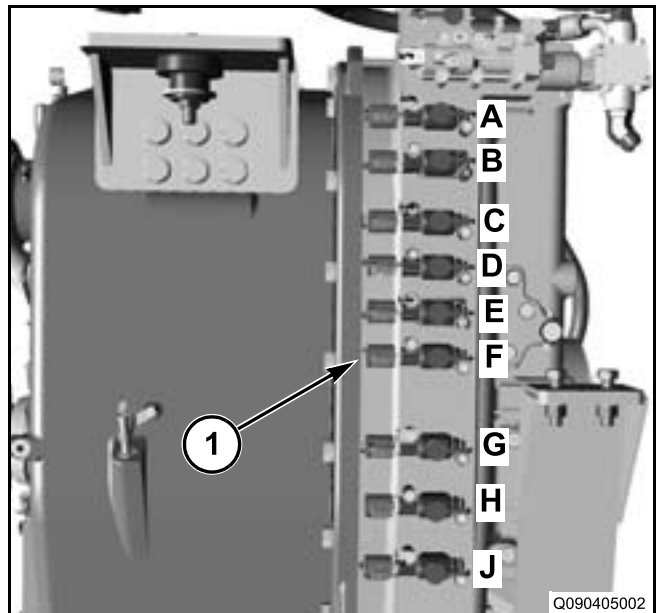


FIG. 15

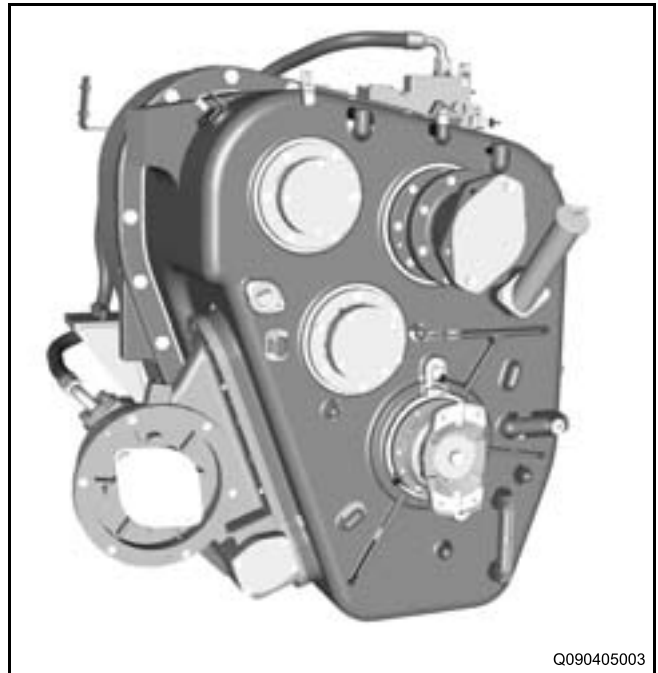
Transmission System Operation

Location of Hydraulic Components for Transmission System

Transmission Sump

FIG. 16: Transmission Sump

The transmission sump supplies oil for clutch lubrication and cooling.



Q090405003

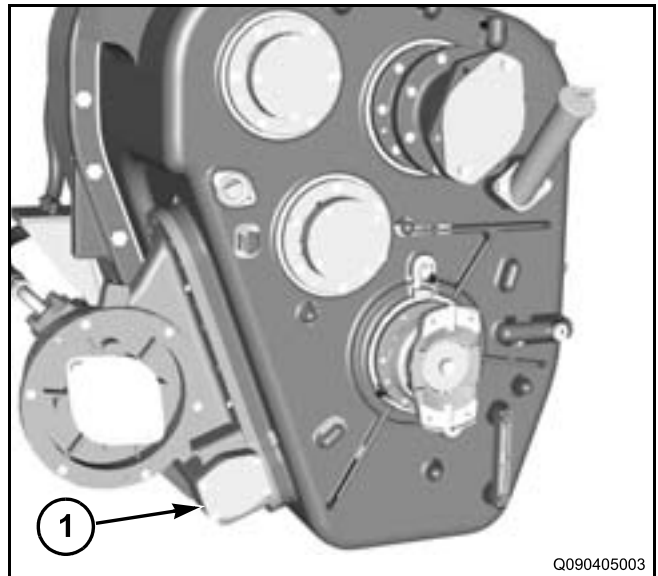
FIG. 16

Suction Screen (Charge Pump)

FIG. 17: Suction Screen for Charge Pump

Suction screen (1) for charge pump is located on rear of transmission behind cover.

The suction screen filters all sump oil before oil is routed to inlet side of charge pump. The suction screen is a 30 mesh wire with a 540 micron rating.



Q090405003

FIG. 17