

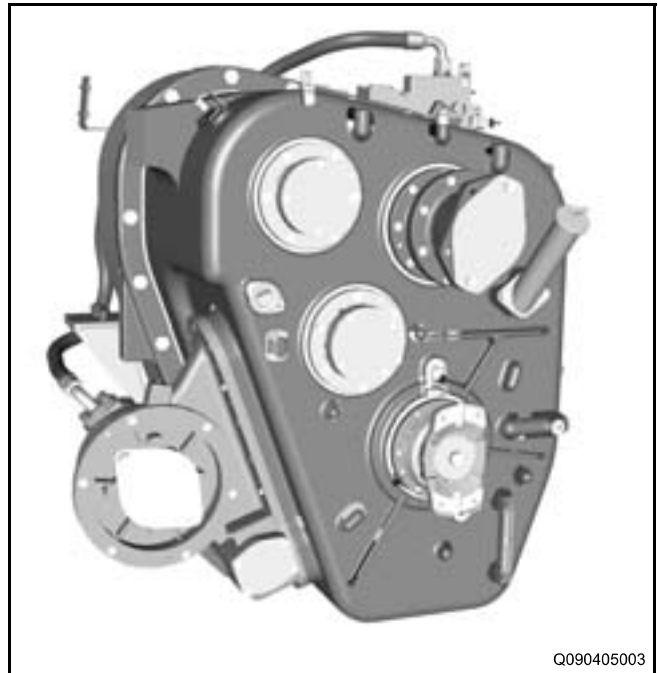
Transmission System Operation

Location of Hydraulic Components for Transmission System

Transmission Sump

FIG. 16: Transmission Sump

The transmission sump supplies oil for clutch lubrication and cooling.



Q090405003

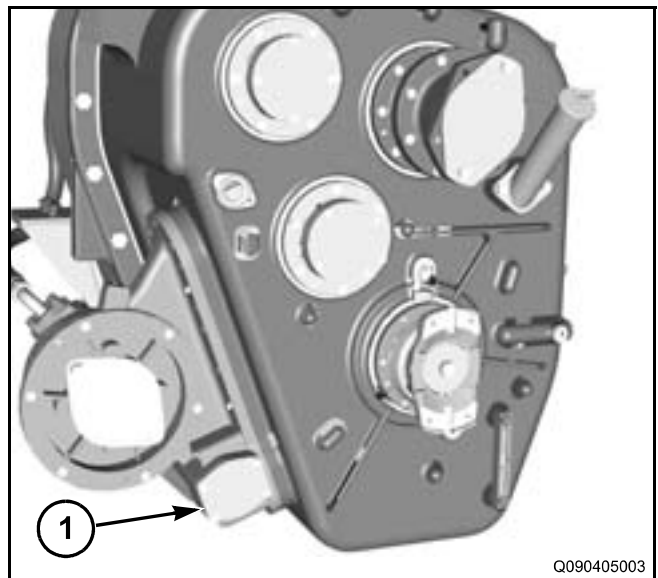
FIG. 16

Suction Screen (Charge Pump)

FIG. 17: Suction Screen for Charge Pump

Suction screen (1) for charge pump is located on rear of transmission behind cover.

The suction screen filters all sump oil before oil is routed to inlet side of charge pump. The suction screen is a 30 mesh wire with a 540 micron rating.



Q090405003

FIG. 17

Charge Pump

FIG. 18: Charge Pump

Charge pump (1) is located on left-hand side of transmission. The charge pump is a gear pump.

The charge pump supplies oil to lubricate transmission.

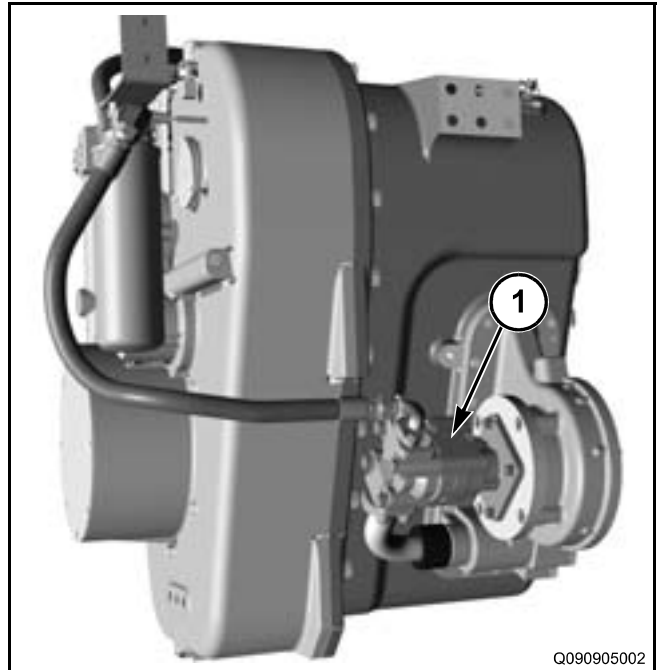


FIG. 18

Transmission Oil Filter

FIG. 19: Transmission Oil Filter

Transmission oil filter (1) is located in front of transmission and bolted to left-hand side frame rail.

The transmission oil filter removes contaminants from oil that is delivered by charge pump. The transmission oil filter is a 5 micron filter.

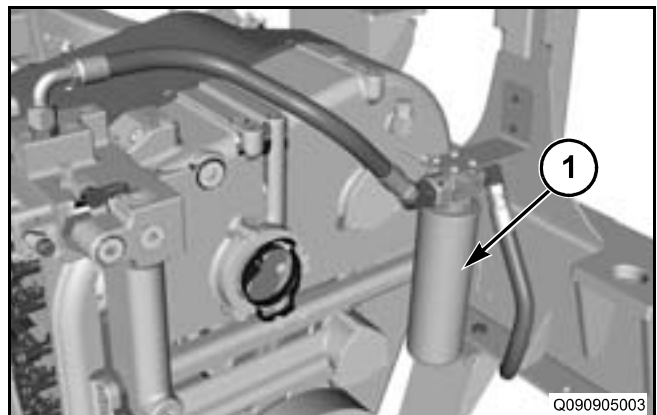


FIG. 19

Relief Valve (Charge Pressure)

FIG. 20: Relief Valve (Charge Pressure)

Relief valve (1) (charge pressure) is located on top of modulating valves (transmission) on right-hand side.

The relief valve receives oil flow directly from hydraulic oil filter. The relief valve regulates oil pressure in transmission hydraulic system at a nominal pressure of 2100 kPa (305 psi).

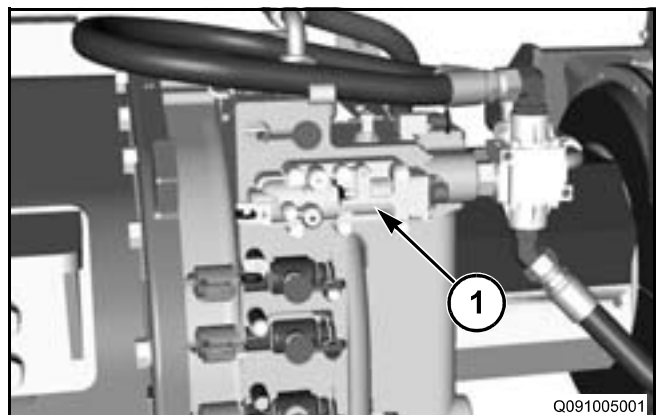


FIG. 20