

Lift Wheels

FIG. 2: Loosen both pressure strap springs (1).
Remove the caster axle (2).

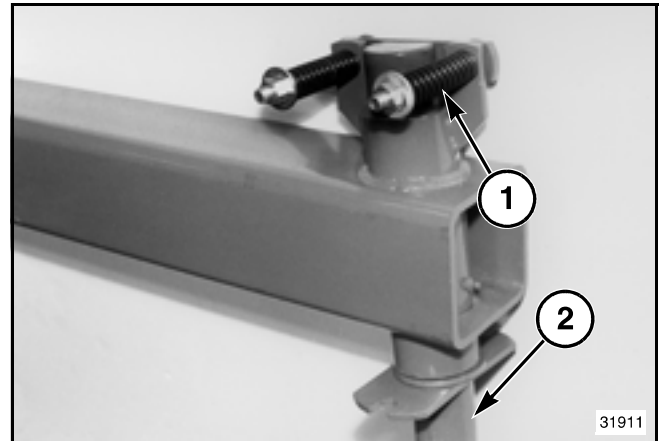


FIG. 2

FIG. 3: Lift Assist Beam Removal from Frame

- (1) Mounting Anchor
- (2) Frame
- (3) Beam
- (4) U-bolts
- (5) Pin, bolts
- (6) Hydraulic Fittings

With the planter connected to the tractor and row units on the ground, remove the mounting anchor from the toolbar (locations above) using the four U-bolts.

NOTE: On 12-row vertical fold models, anchor straddles wing lockup U-bolt.

Remove lift assist beam from the mounting anchor.

Replace parts as necessary.

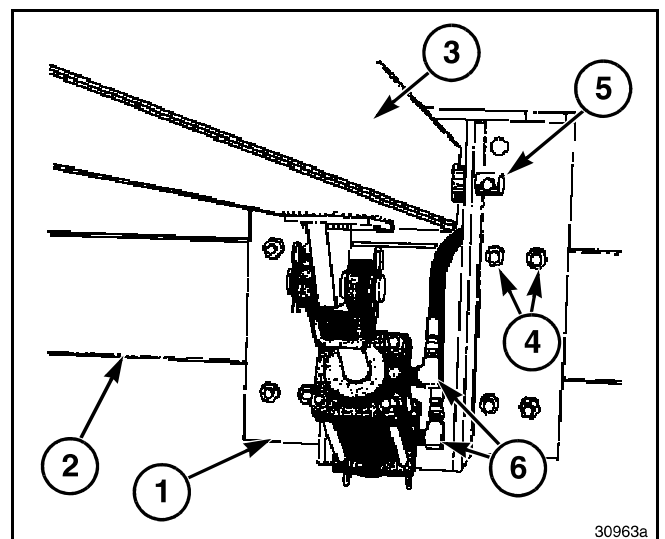


FIG. 3

Disassembly

FIG. 4: Remove the wheel (1) from the hub assembly (2).

Disassemble hub assembly.

Replace cup bearings and cone bearings as needed.

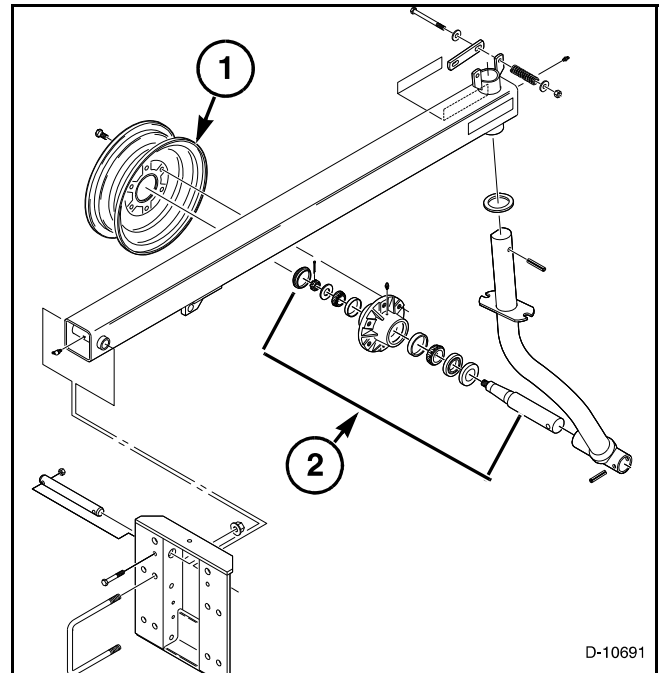


FIG. 4

Assembly

FIG. 5: Assemble hub assembly (1).

Install the wheel (2) to the hub assembly.

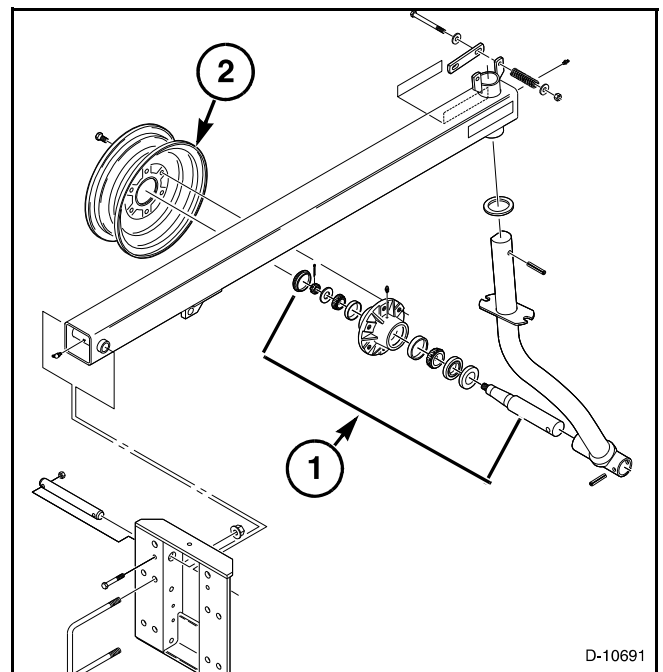


FIG. 5