

IMPORTANT: Only a certified technician with certified equipment can service air conditioning system.

IMPORTANT: Whenever air conditioning system is opened, replace air conditioning accumulator.

FIG. 2: Battery disconnect switch

IMPORTANT: Park machine on a hard, level surface.

Battery disconnect switch (1) is located behind DEF tank fill spout.

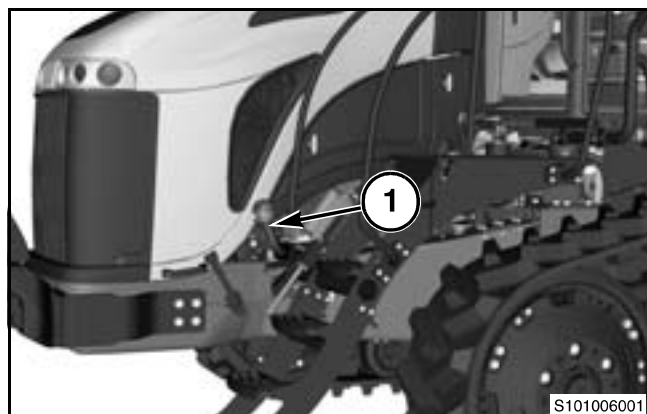


FIG. 2

FIG. 3: Rotate key (1) counterclockwise to disconnect the battery power.

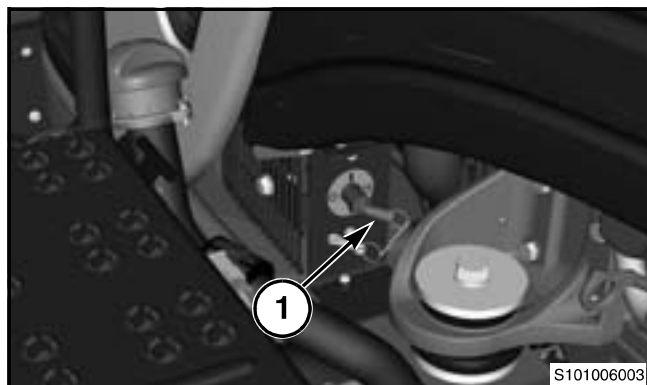


FIG. 3

FIG. 4: Remove key (1).

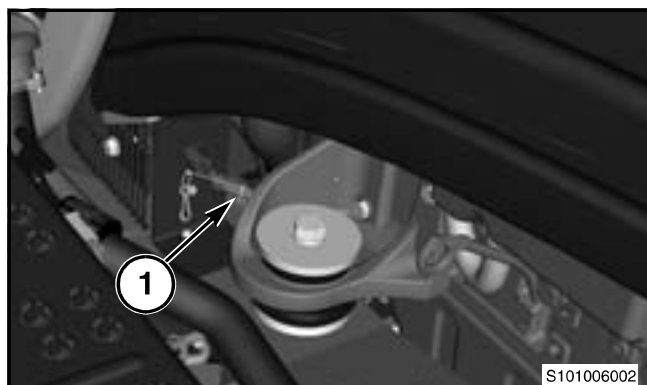


FIG. 4

Cab

FIG. 5: Disconnect left and right-hand hood latches (1).

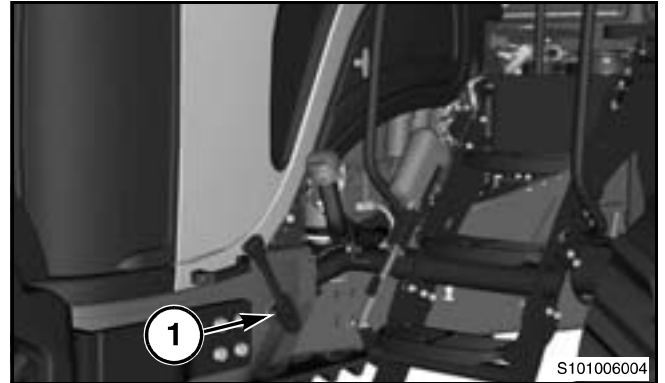


FIG. 5

FIG. 6: Use handle (1) to lift hood (2) completely open.



CAUTION: Ensure hood is securely propped open. Closing hood creates a pinch point that can cause serious bodily injury.

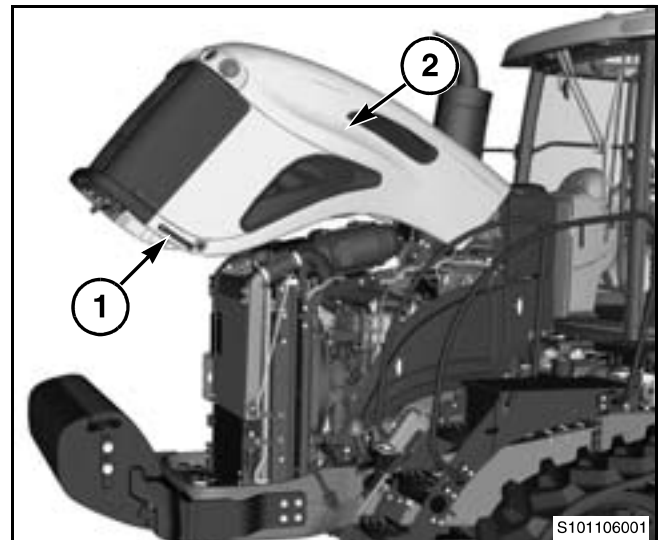


FIG. 6

FIG. 7: Rotate two latches (1) to remove left-hand engine enclosure panel (2).

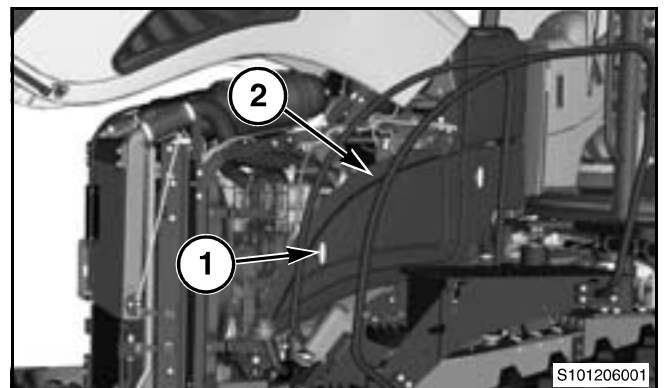


FIG. 7