

Procedure

1. Open the tank (1) by rotating the fill cap (2) counterclockwise.
2. Fill the tank with AGCO Gator Gold 80:1 foam concentrate.

NOTE: Due to the height of the fill point, the user may need a ladder to safely fill the foam marker tank.

3. Install the fill cap.

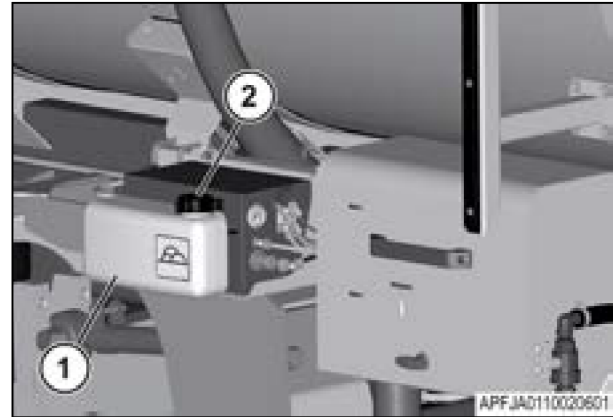


Fig. 54

6.2.3 Operate the foam marker**Procedure**

1. Turn the control knob (1) to adjust the pressure to 69 kPa to 103 kPa (10 psi to 15 psi).
The air pressure will show on the pressure gauge (2).

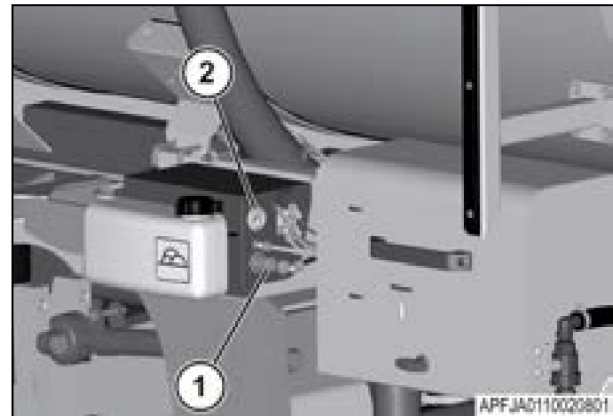


Fig. 55

2. Select the foam marker icon (1) on the machine management center.

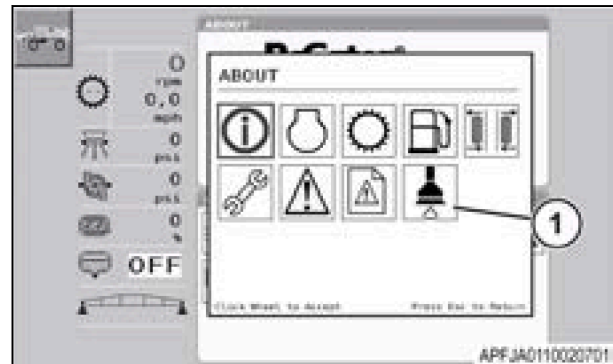


Fig. 56

3. Push the soft key on the machine management center to select the foam marker screen icon (1).

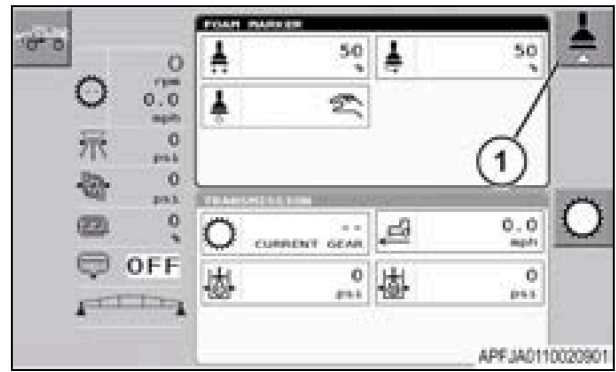


Fig. 57

4. Select the output rate screen (1), the mix ratio screen (2), or the mode select screen (3) to change the settings. The icon (4) will show the condition of the foam marker.

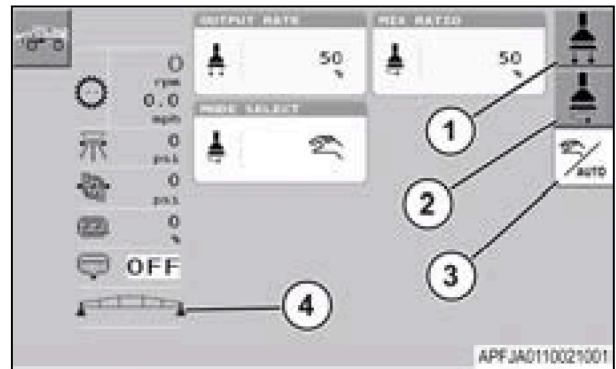


Fig. 58

5. Push the soft key next to the icon (1) to select the output rate screen.

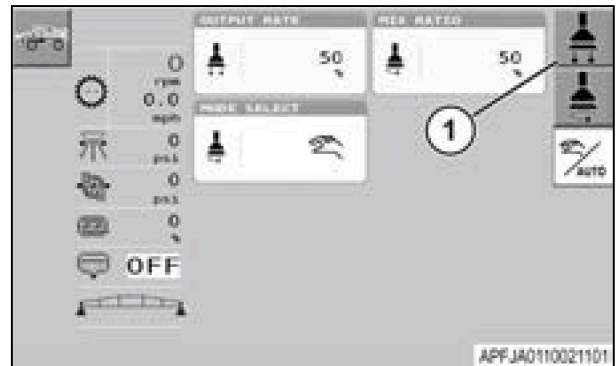


Fig. 59

6. Use the scroll wheel to highlight the output rate field (1).
7. Push the center of the scroll wheel to select the output rate amount.

The standard setting is 50%. Changing the setting will change the frequency that the foam drops on the ground.

- Increasing the setting will make the foam drop more frequently
- Decreasing the setting will make the foam drop less frequently

8. Press ESC to return to the foam marker screen.

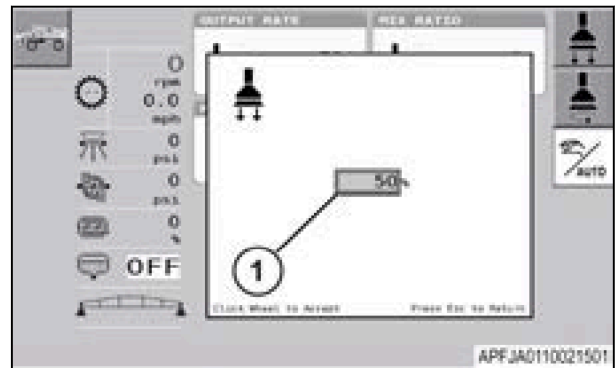


Fig. 60