

13. Remove the hardware (1), and the fuse/relay panel (2).

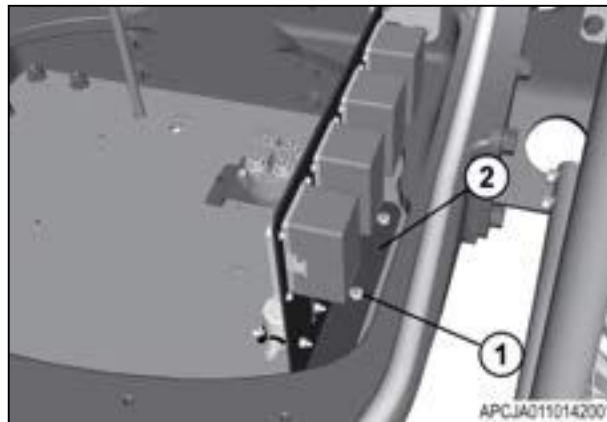


Fig. 12

14. Remove the battery disconnect switch key. Remove the hardware (1), and the battery disconnect switch (2) with bracket.
15. Open the fuse holder covers. Remove the hardware (1) and the 250 A fuse (2) from the fuse holder.

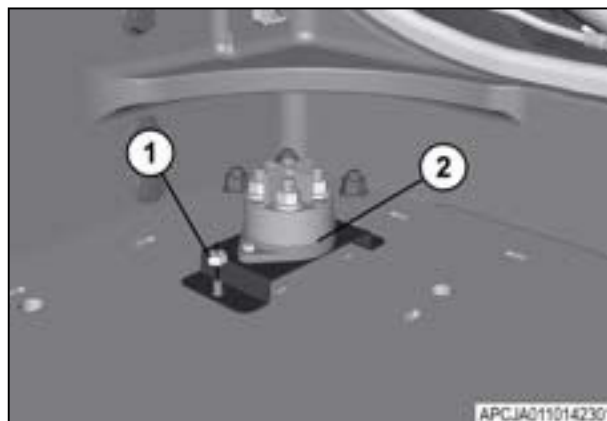


Fig. 13

16. Remove the hardware and the 100 A fuse (3) from the fuse holder (4).

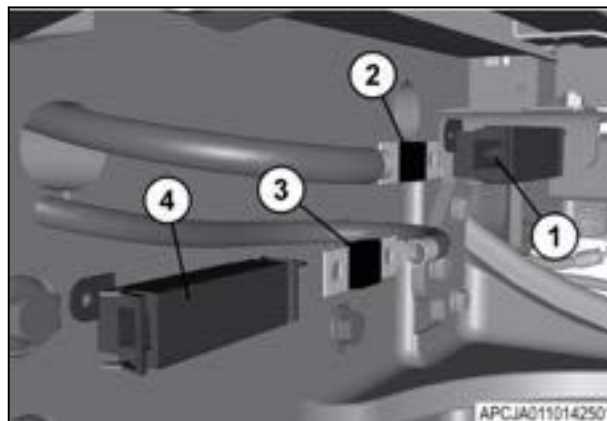


Fig. 14

### 6.1.2 Installing the battery compartment components

**IMPORTANT:**

*Assemble the wires and cables according to the identification labels applied during the removal procedure.*

**Procedure**

1. Open the fuse holder covers. Fasten the 250 A fuse (2) to the holder with hardware (1).

2. Fasten the 100 A fuse (3) to the holder (4) with the hardware.

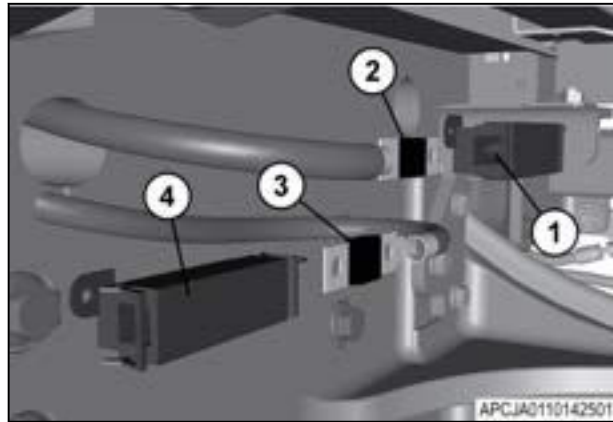


Fig. 15

3. Fasten the battery disconnect switch (2) and bracket to the frame with the hardware (1).

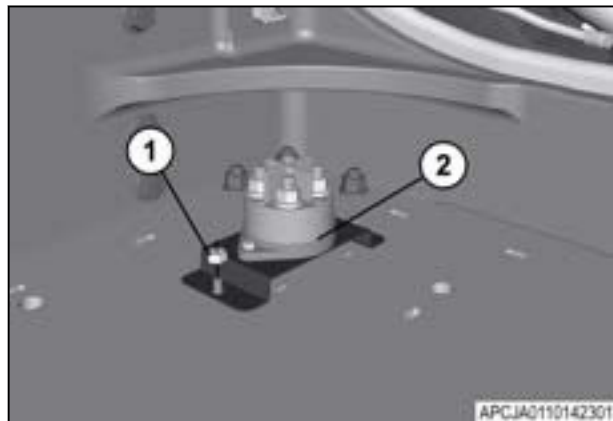


Fig. 16

4. Fasten the fuse/relay panel (2) to the frame with the hardware (1).

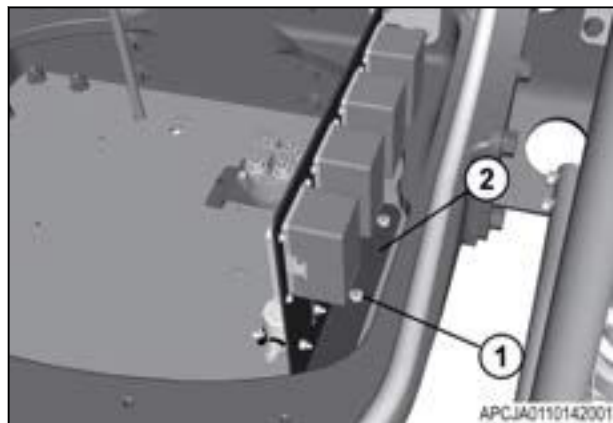


Fig. 17