

- 17.** Fasten the condenser/cooler (2) to the brackets with hardware (1).
The weight of the cooler is approximately 19 kg.

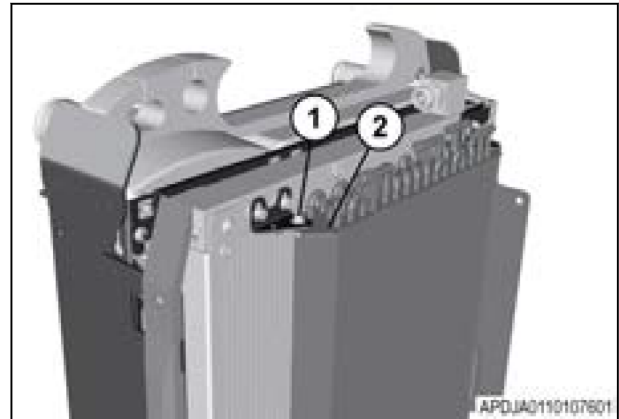


Fig. 168

- 18.** Close the condenser/cooler (2). Lock both plungers (3) and both latches (1).

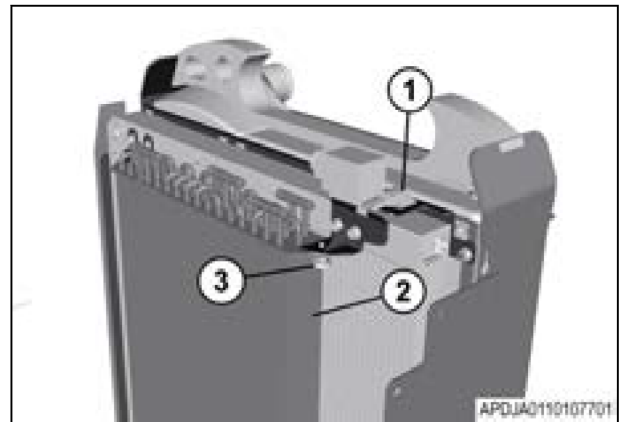


Fig. 169

- 19.** Fasten the fan shroud (2) to the crossmembers with hardware (1).

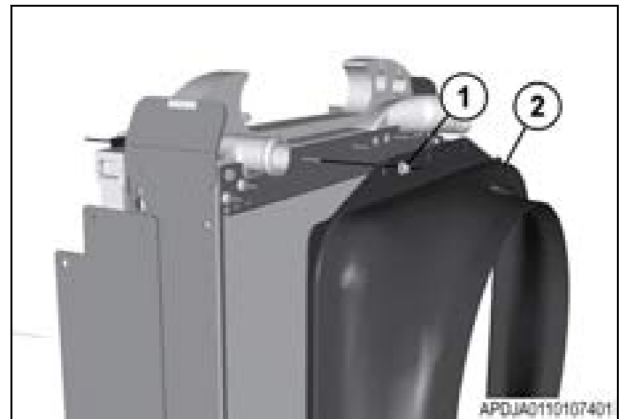


Fig. 170

20. Fasten an engine cover guide (2) to the left-hand and the right-hand side channels (3) with hardware (1).

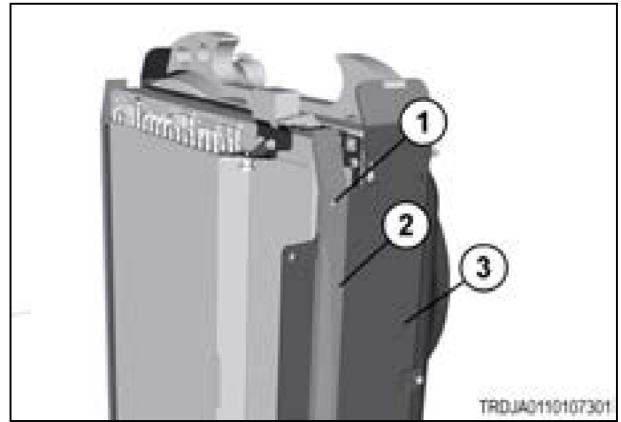


Fig. 171

21. Fasten the engine cover support rod (1) to the left-hand side channel (2) with hardware (3).
22. Fasten the rod clip (4) to the left-hand side channel (2) with hardware.

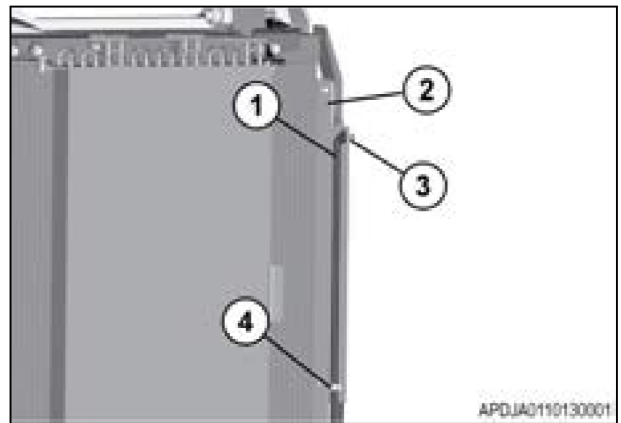


Fig. 172

3.3.5 Installing the cooling package



WARNING:

Contact with refrigerant is a hazard. Refrigerant can cause frostbite and other serious injury. Serious personal injury can occur. Keep face and hands away to help prevent injury. Protective goggles must be worn when refrigerant lines are opened. Release fittings slowly in a well ventilated area. Do not inhale the refrigerant.

IMPORTANT:

Use only certified technicians with certified equipment to repair air conditioning systems.

IMPORTANT:

Certified technicians must evacuate and fill refrigerant, and remove and install the air conditioning lines.

NOTE:

When opening an air conditioning system, replace the air conditioning receiver-dryer. See the information for replacing the air conditioning receiver-dryer.