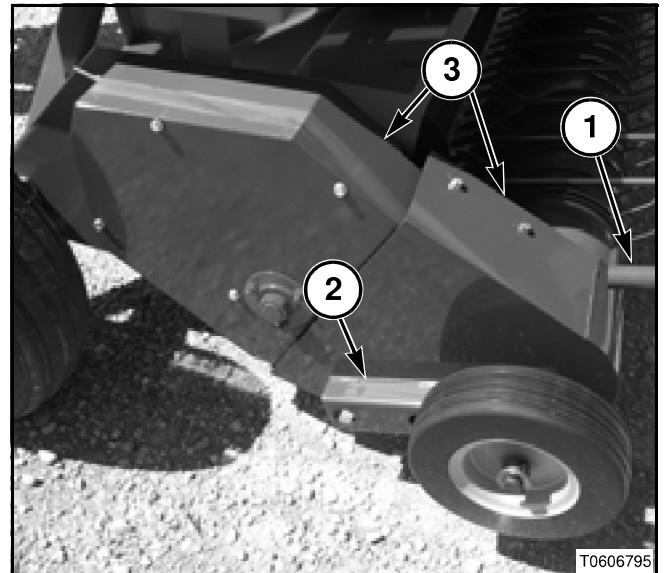


# Pickup

## Belt Driven Pickup

### Right-Hand Side Removal

**FIG. 75:** Remove the windguard (1), gauge wheel assembly (2), and right-hand side shields (3).



**FIG. 75**

**FIG. 76:** Loosen the chain tensioner sprocket (1).

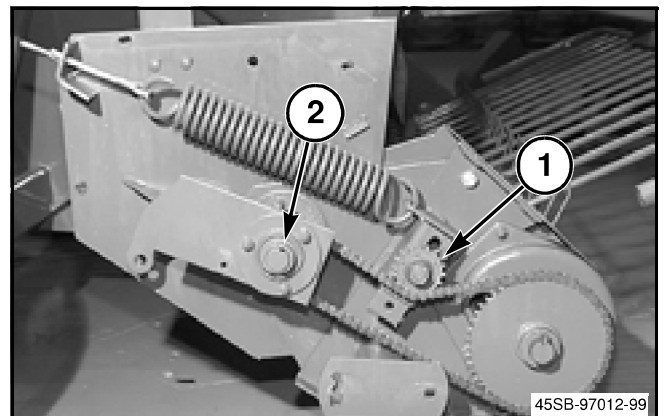
Remove the chain.

Remove the hardware fastening the flange and bearing assembly to the pickup.

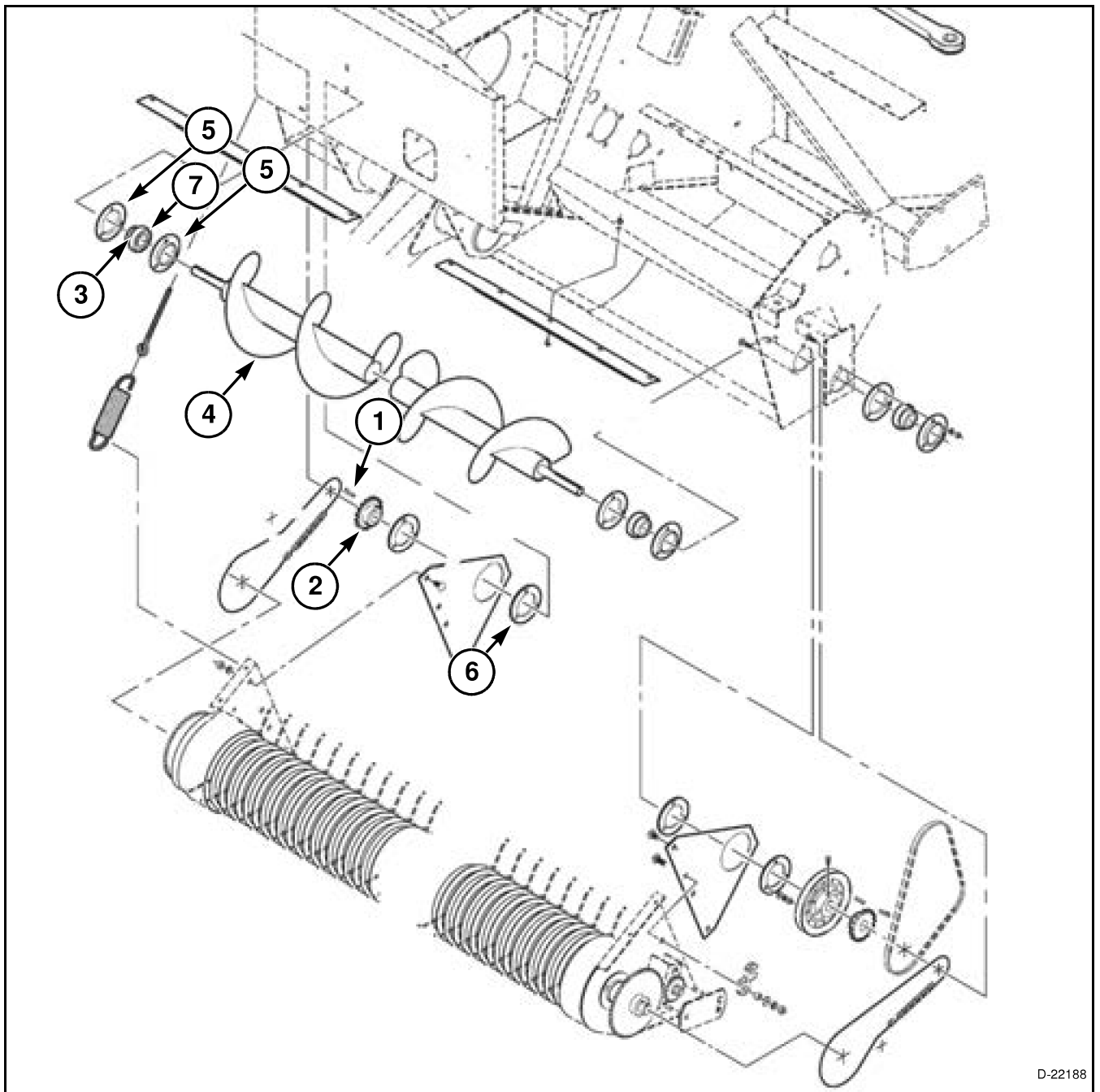
Loosen the locking collar (2).

Remove the locking collar, flanges, and bearing.

*NOTE: Use a bearing puller as needed.*



**FIG. 76**



D-22188

**FIG. 77**

**FIG. 77:** Punch the gib key (1) out then remove the sprocket (2).

Remove the hardware that securing the inside flanges and bearing to the pickup.

Loosen the locking collar (3).

Remove the right-hand auger (4), flanges (5), spacer (6), and bearing (7).