

6.2 Central fill blower

6.2.1 Central fill blower components

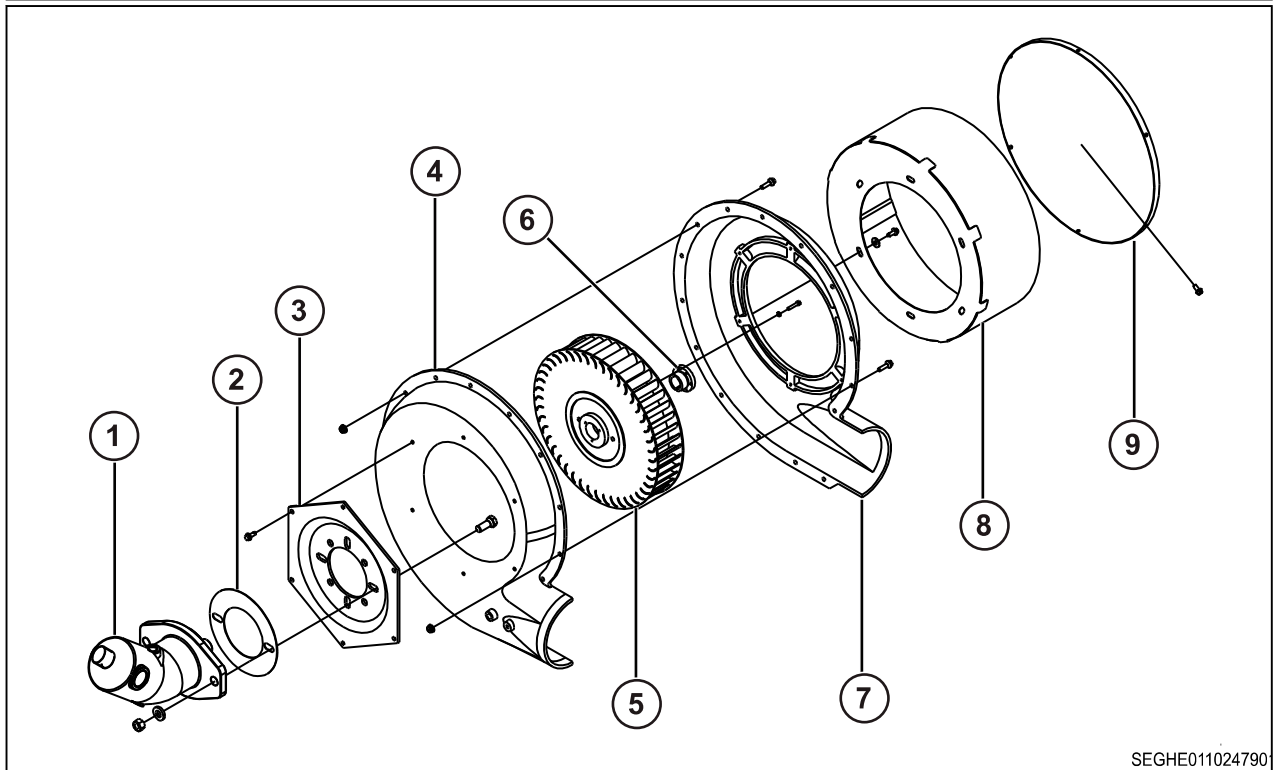


Fig. 4

- (1) Blower motor
- (2) Motor seal
- (3) Motor mount plate
- (4) Top blower housing
- (5) Fan
- (6) Tapered bushing
- (7) Bottom blower housing
- (8) Screen
- (9) Screen cap

6.2.2 Remove the central fill blower

Before starting the procedure



WARNING: Hydraulic fluid under pressure can penetrate the skin or eyes.

Serious personal injury, blindness, or death can occur.

Relieve the pressure from the system or component before disconnecting components. Wear personal protective gear while working on the machine or equipment. Use a piece of cardboard to check for leaks. Never use your hand.

Before removing the components, fasten identification tags on the components for correct assembly.

Completely clean all components to prevent contamination.

Contain all fluids during inspection, maintenance, testing, adjustment, and repair of the machine. Before opening or disassembling any component containing fluids, prepare to contain fluids by having the correct containers available. Discard fluids according to local regulations and laws.

Put caps and plugs on all hoses, fittings, ports, and openings to prevent contamination.

Procedure

1. Park the machine on a solid, level surface.
2. Apply the parking brake, stop the engine, and take the key with you.
3. Block the wheels.
4. Relieve all pressure from the hydraulic system.
5. Drain the oil from the hydraulic system.
6. Remove the cover (1).
7. Disconnect the hoses (2) from the motor.
8. Install caps and plugs to all ports and fittings.
9. Loosen the hose clamp (3).
10. Remove the transition (4) from the blower.
11. Hold the blower assembly and remove the bolts (5).
12. Remove the blower assembly.

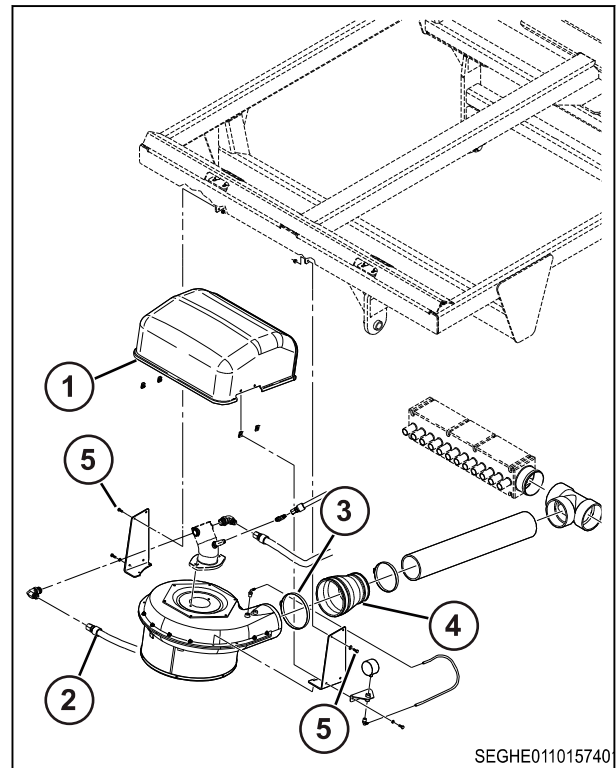


Fig. 5